


SPECIFICATIONS:

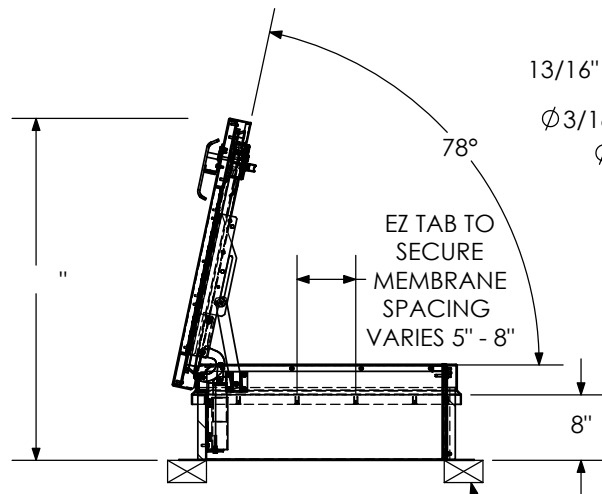
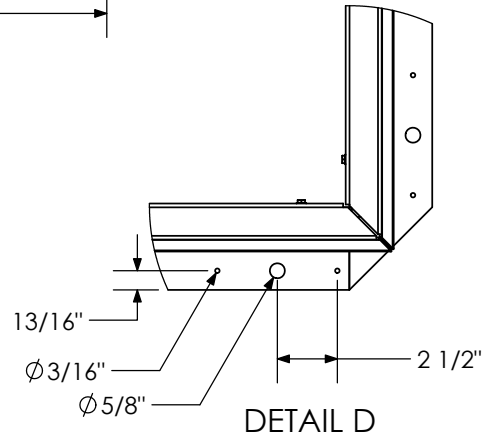
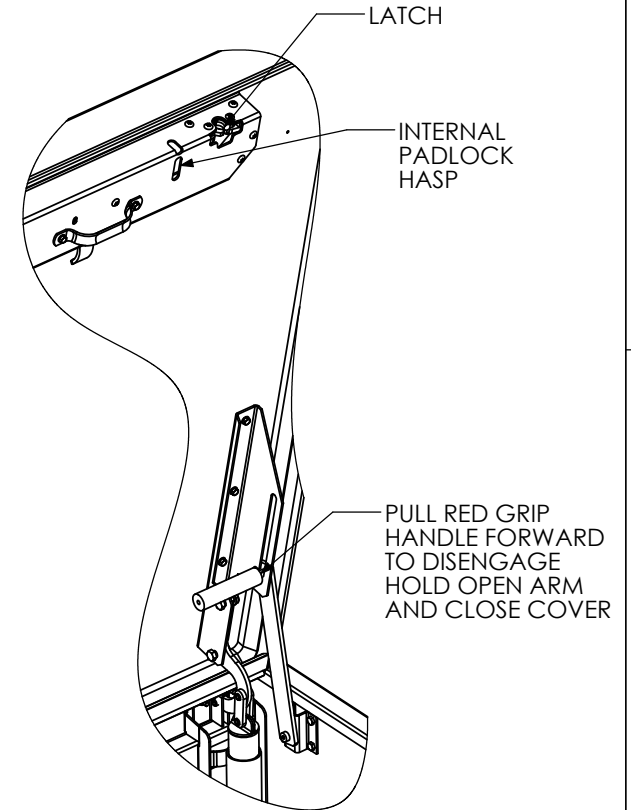
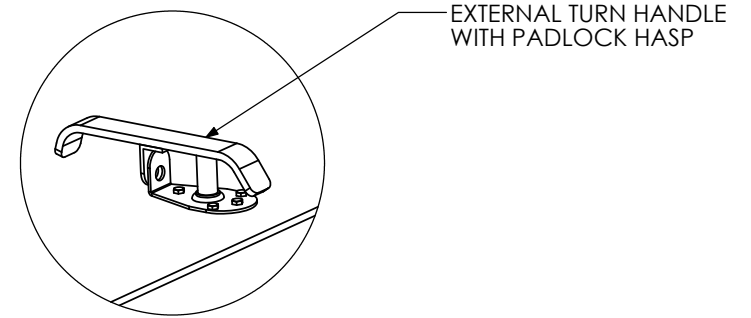
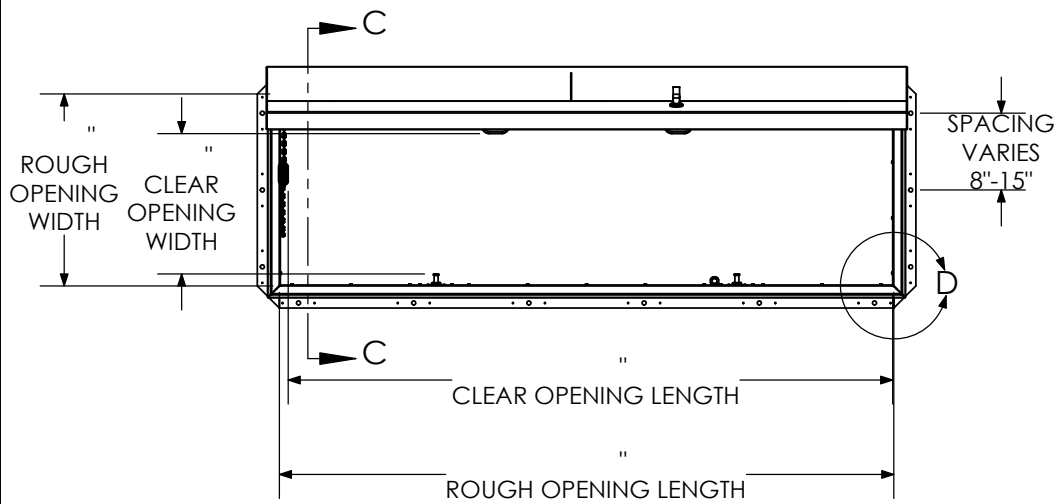
- ① **COVER:** 11 GA ALUM COVER STIFFENED TO WITHSTAND A LIVE LOAD OF 40PSF WITH A MAX DEFLECTION OF 1/150 OF THE SPAN
- ② **LINER:** 18 GA ALUM
- ③ **CURB AND COUNTERFLASH W/ EZ TAB:**
11 GA ALUM
- 4 **FINISH:** MILL FINISH
- ⑤ **SPRING/HINGE ASSEMBLY:** ZINC PLATED STEEL TAMPER-PROOF HINGE CONTAINED WITHIN SPRING/HINGE ASSEMBLY. TELESCOPIC TUBES CONTAIN COIL STEEL COMPRESSION SPRINGS FOR LIFT ASSISTANCE
- ⑥ **HOLD OPEN ARM:** LOCKS COVER IN FULLY OPEN POSITION - ZINC PLATED STEEL WITH RED VINYL GRIP HANDLE PULL RELEASE
- ⑦ **LATCH:** 2 POINT ROTARY LATCH SLAM LATCH HOLDS COVER CLOSED AGAINST 90 PSF WIND UPLIFT. INTERNAL AND EXTERNAL TURN HANDLES WITH PADLOCK HASPS

- ⑧ **INSULATION:**
1" POLYSTYRENE (R4) IN COVER, AND 1" FIBERBOARD (R2.8) IN CURB
- ⑨ **GASKET:** ADHESIVE BACKED EPDM RUBBER EXTRUSION
- 10 **SIZING:** WIDTH X LENGTH DIMENSIONS ARE MEASURED INSIDE CURB TO INSIDE CURB WHERE THE WIDTH IS HINGE TO LATCH AND LENGTH IS HINGED SIDE WITH SPRINGS

ROOF HATCH SIZE	" (WIDTH) x	" (LENGTH)
CLEAR OPENING	" (WIDTH) x	" (LENGTH)
ROUGH OPENING	" (WIDTH) x	" (LENGTH)

PROPRIETARY AND CONFIDENTIAL: THE INFORMATION CONTAINED IN THIS DRAWING IS THE SOLE PROPERTY OF BABCOCK-DAVIS. ANY REPRODUCTION IN PART OR AS A WHOLE WITHOUT THE WRITTEN PERMISSION OF BABCOCK-DAVIS IS PROHIBITED.

PROJECT:					
ARCHITECT:					
CONTRACTOR:					
QTY:					
PART#:					
 Babcock-Davis <i>Always right there.</i> 9300 73rd Avenue North Brooklyn Park, MN 55428		TITLE: Roof Hatch, Personnel Series, Sngl Dr, Zinc Hdw, Alum Curb and Cover, Mill Finish, Sngl Wall Curb			
		NAME	DATE	SIZE	DWG. NO.
DRAWN	ELW	9/10/12	A		A
RELEASED	-	-	WEIGHT: VARIES		SHEET 1 OF 2



SECTION C-C

WOOD, CONCRETE, OTHER MATERIAL FOR MOUNTING BY OTHERS (NIC)

HARDWARE DETAILS

<p>Babcock-Davis <i>Always right there.</i> 9300 73rd Avenue North Brooklyn Park, MN 55428</p>			<p>TITLE: Roof Hatch, Personnel Series, Sngl Dr, Zinc Hdw, Alum Curb and Cover, Mill Finish, Sngl Wall Curb</p>		
	NAME	DATE	SIZE	DWG. NO.	REV
DRAWN	ELW	9/10/12	A		A
RELEASED	-	-	WEIGHT: VARIES		SHEET 2 OF 2