


**SPECIFICATIONS:**

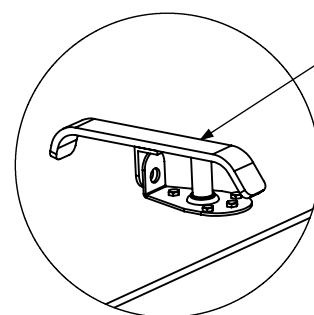
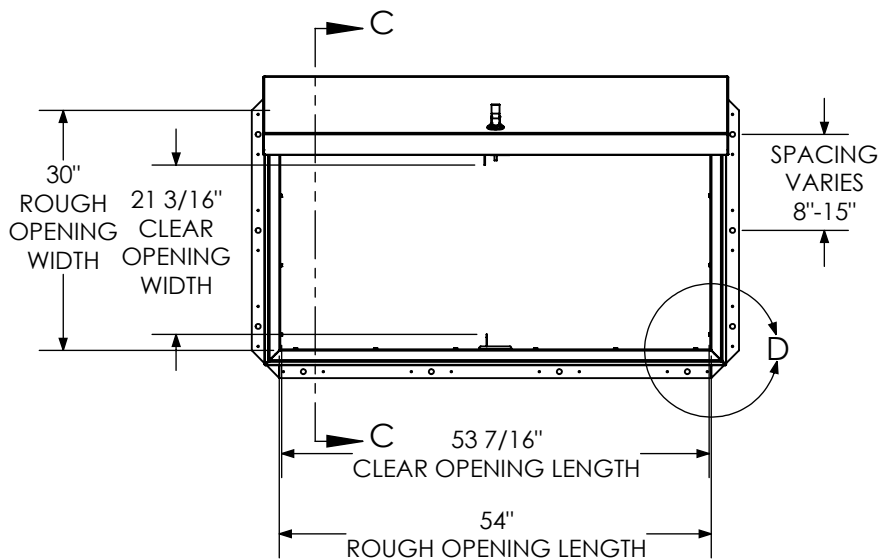
- ① **COVER:** 14 GA GALV STEEL COVER STIFFENED TO WITHSTAND A LIVE LOAD OF 40PSF WITH A MAX DEFLECTION OF 1/150 OF THE SPAN
- ② **LINER:** 22 GA GALV STEEL
- ③ **CURB AND COUNTERFLASH W/ EZ TAB:**  
14 GA GALV STEEL
- 4 **FINISH:** HIGH REFLECTANCE WHITE POWDER COAT
- ⑤ **SPRING/HINGE ASSEMBLY:** ZINC PLATED STEEL TAMPER-PROOF HINGE CONTAINED WITHIN SPRING/HINGE ASSEMBLY. TELESCOPIC TUBES CONTAIN COIL STEEL COMPRESSION SPRINGS FOR LIFT ASSISTANCE
- ⑥ **HOLD OPEN ARM:** LOCKS COVER IN FULLY OPEN POSITION - ZINC PLATED STEEL WITH RED VINYL GRIP HANDLE PULL RELEASE
- ⑦ **LATCH:** SINGLE POINT LATCH SLAM LATCH HOLDS COVER CLOSED AGAINST 20 PSF WIND UPLIFT. INTERNAL AND EXTERNAL TURN HANDLES WITH PADLOCK HASPS

- ⑧ **INSULATION:**  
1" POLYSTYRENE (R4) IN COVER, AND 1" FIBERBOARD (R2.8) IN CURB
- ⑨ **GASKET:** ADHESIVE BACKED EPDM RUBBER EXTRUSION
- 10 **SIZING:** WIDTH X LENGTH DIMENSIONS ARE MEASURED INSIDE CURB TO INSIDE CURB WHERE THE WIDTH IS HINGE TO LATCH AND LENGTH IS HINGED SIDE WITH SPRINGS

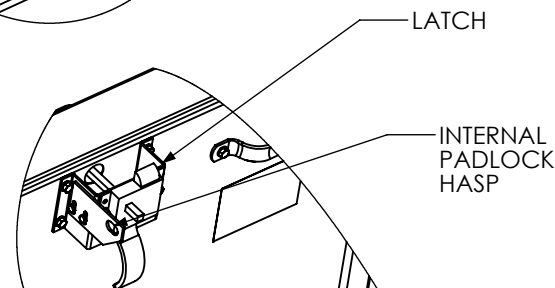
**ROOF HATCH SIZE** 30" (WIDTH) x 54" (LENGTH)  
**CLEAR OPENING** 21.19" (WIDTH) x 53" (LENGTH)  
**ROUGH OPENING** 30" (WIDTH) x 54" (LENGTH)

PROPRIETARY AND CONFIDENTIAL: THE INFORMATION CONTAINED IN THIS DRAWING IS THE SOLE PROPERTY OF BABCOCK-DAVIS. ANY REPRODUCTION IN PART OR AS A WHOLE WITHOUT THE WRITTEN PERMISSION OF BABCOCK-DAVIS IS PROHIBITED.

PROJECT:				
ARCHITECT:				
CONTRACTOR:				
QTY:				
PART#:	BRHPW30X54S1T			
	TITLE: Roof Hatch, Personnel Series, 30x54, Sngl Dr, Zinc Hdw, Galvn Steel, High Reflect Wht Pwd, Sngl Wall Curb			
NAME	DATE	SIZE	DWG. NO.	REV
DRAWN SJB	3/29/13	A	BRHPW30X54S1T	A
RELEASED -	-	WEIGHT: 234.2	SHEET 1 OF 2	

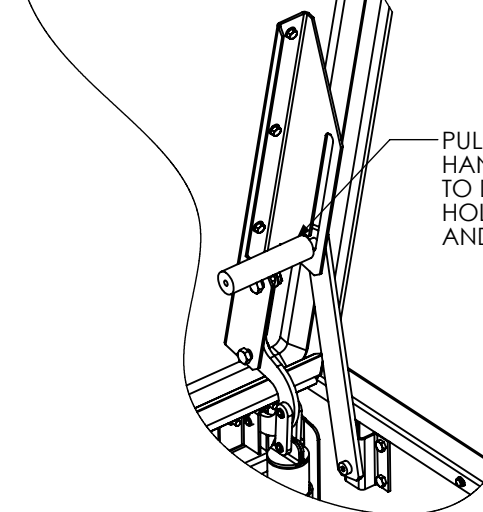


EXTERNAL TURN HANDLE WITH PADLOCK HASP



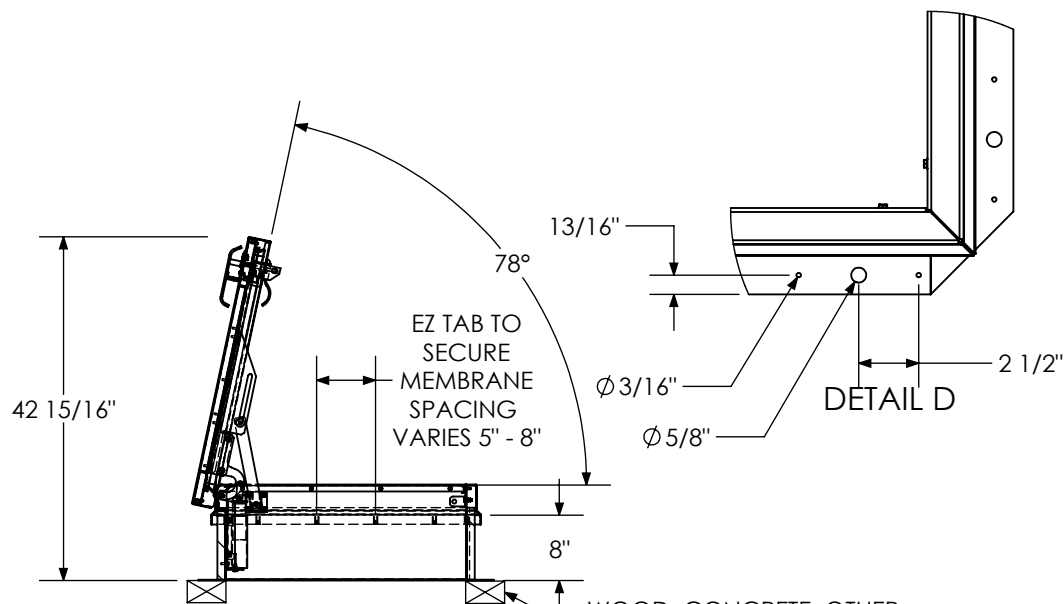
LATCH

INTERNAL PADLOCK HASP



PULL RED GRIP HANDLE FORWARD TO DISENGAGE HOLD OPEN ARM AND CLOSE COVER

HARDWARE DETAILS



SECTION C-C

WOOD, CONCRETE, OTHER MATERIAL FOR MOUNTING BY OTHERS (NIC)

PROPRIETARY AND CONFIDENTIAL: THE INFORMATION CONTAINED IN THIS DRAWING IS THE SOLE PROPERTY OF BABCOCK-DAVIS. ANY REPRODUCTION IN PART OR AS A WHOLE WITHOUT THE WRITTEN PERMISSION OF BABCOCK-DAVIS IS PROHIBITED.

<p><b>Babcock-Davis</b> <i>Always right there.</i> 9300 73rd Avenue North Brooklyn Park, MN 55428</p>			<p>TITLE: Roof Hatch, Personnel Series, 30x54, Sngl Dr, Zinc Hdw, Galvnl Steel, High Reflect Wht Pwd, Sngl Wall Curb</p>		
NAME	DATE	SIZE	DWG. NO.	REV	
SJB	3/29/13	A	BRHPW30X54S1T	A	
RELEASED	-	-	WEIGHT: 234.2	SHEET 2 OF 2	