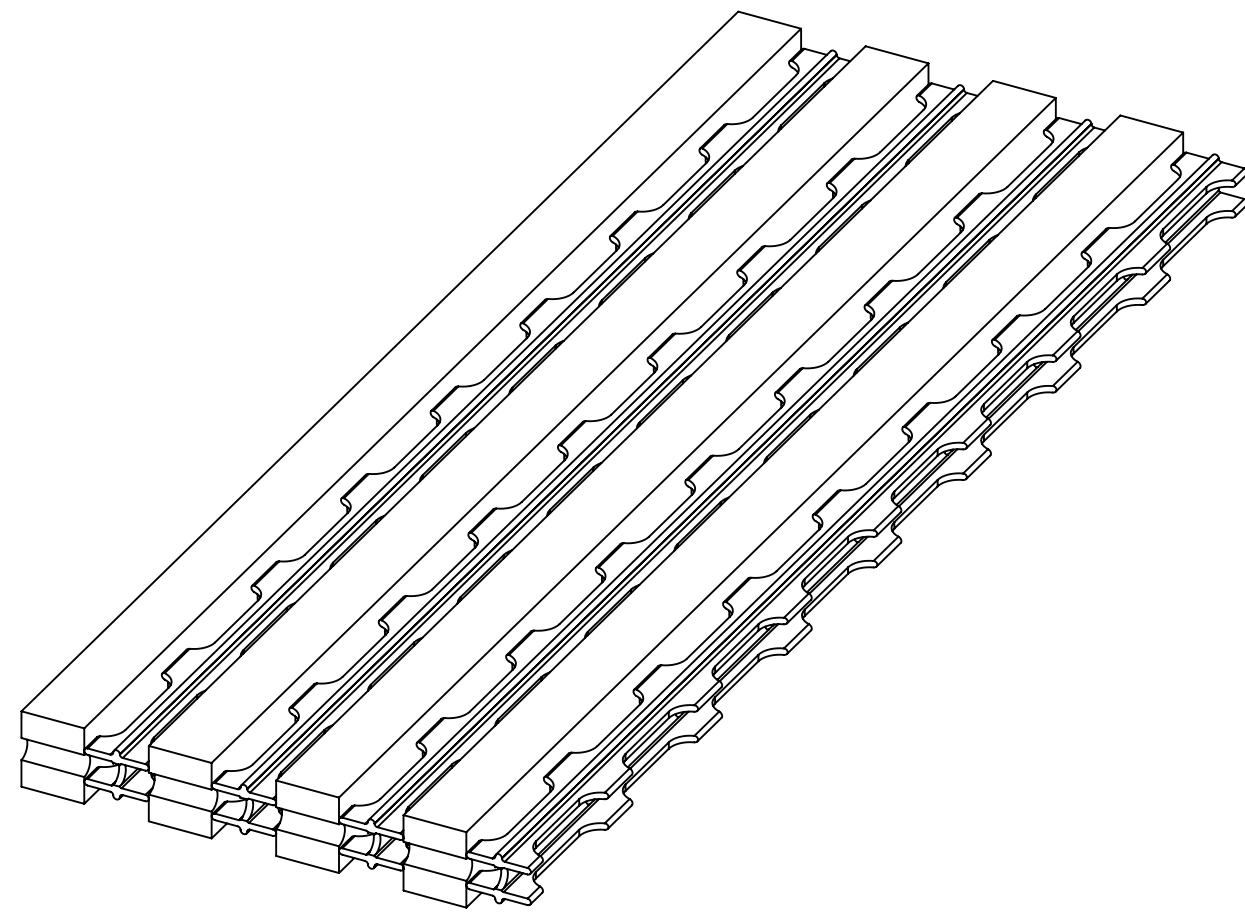
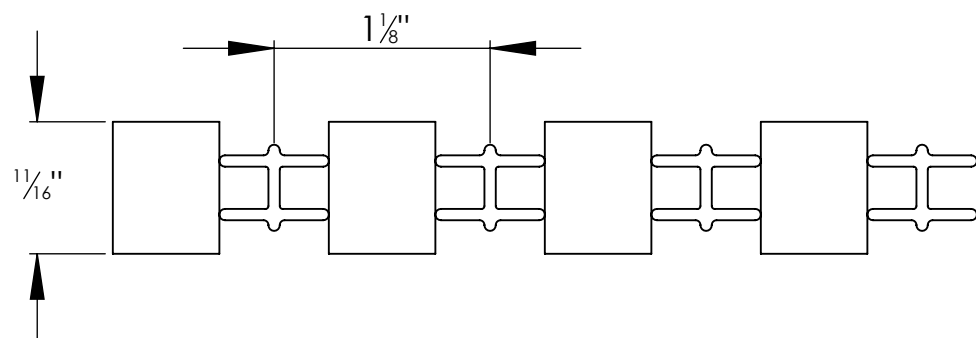




G-218P GRATE DETAIL



ISO VIEW



WIDTH VIEW

MODEL G-218P OPEN CONSTRUCTION ENVIRONTREAD II GRATES ARE RECYCLED, REVERSIBLE AND SUSTAINABLE. THE DOUBLE-SIDED BUFFED RUBBER FROM RECYCLED NYLON-REINFORCED TRUCK AND AIRPLANE TIRES WILL OUTLAST ANY OTHER TREAD INSERT. THE STURDY ALUMINUM DIVIDER BARS ARE ALSO RECYCLED. SPACES BETWEEN THE TREADS AND DIVIDER BARS PROVIDE AN OPENING TO THE RECESS SO THAT DIRT AND MOISTURE FALL THROUGH THE GRATE, OUT OF TRAFFIC. DURABILITY AND EFFECTIVENESS ENSURE LOW LIFE-CYCLE COSTS. THIS PRODUCT CARRIES A FIVE-YEAR WARRANTY.

DETAIL NOTES:

- 1-TREAD RAILS MUST RUN PERPENDICULAR TO TRAFFIC DIRECTION.
- 2-GRATE DIMENSIONS ALLOW FOR CLEARANCE BETWEEN GRATE SECTIONS AND FRAME IN THE WIDTH DIMENSION ONLY.

SPECIFICATIONS:

MODEL G-218P ENVIRONTREAD II WITH OPEN CONSTRUCTION WITH 11/16" (17.9MM) DEEP, ALTERNATING 6063-T6 ALUMINUM ALLOY DIVIDER BARS AND RECYCLED BUFFED RUBBER TREAD; SPACED 1-1/8" ON CENTER; USE WITH [TYPE F-11 ALUMINUM RECESSED][TYPE F-14 ALUMINUM ANGLE FRAME] FRAME.

	<p>Arden Architectural Specialties, Inc. 9300 73rd Avenue North Brooklyn Park, MN 55428</p>
<p>JOB REF.</p>	
<p>MODEL NO. G-218P</p>	
<p>RELEASED DATE 4/22/2011</p>	<p>SHEET 1 OF 1</p>