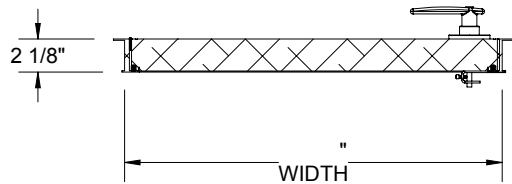
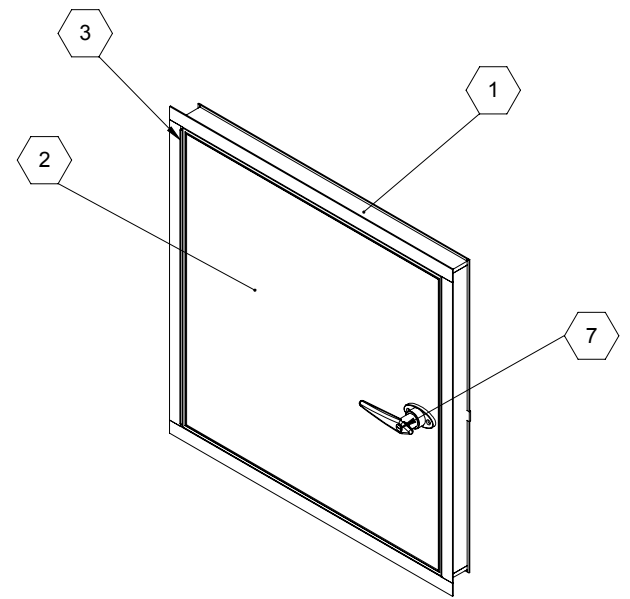


SECTION A-A




SECTION B-B

NOTES:

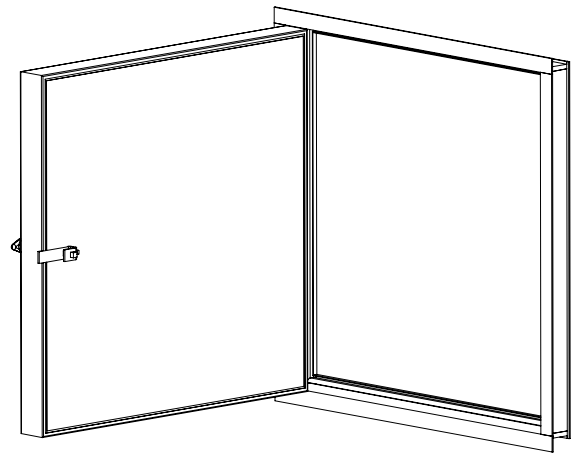
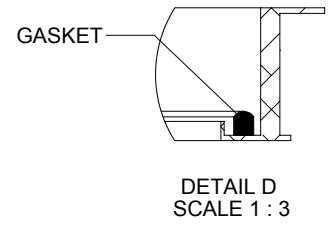
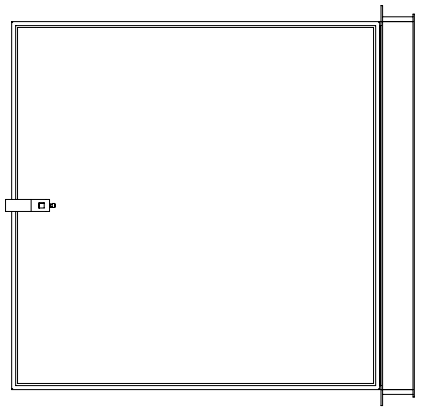
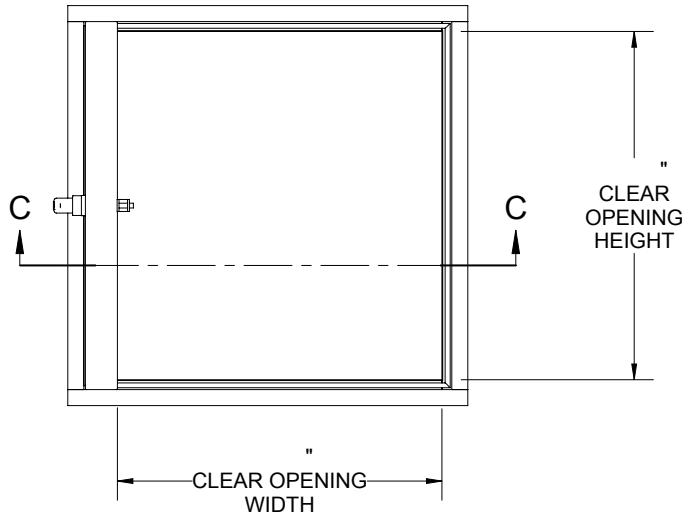
- ① **FRAME:** 6063-T5 Extruded Aluminum, Mill Finish
- ② **DOOR:**
- ③ **HINGE:**
- ④ **GASKET:** EPDM Self-Adhesive, continuous Gasket
- ⑤ **INSULATION:** Foam Insulation, 2-1/4lb Density
- ⑥ **LATCH:**
- ⑦ **LOCK:** Lockable Handle

**ROUGH OPENING:**     " x     "  
**CLEAR OPENING:**     " x     "  
**DEGREE OF OPENING:** 180°  
**# LATCHING POINTS:**

PROJECT:				
ARCHITECT:				
CONTRACTOR:				
QTY:				
PART#:				
 <b>Babcock-Davis</b> <small>Always right there.</small> 9300 73rd Avenue North Brooklyn Park, MN 55428		TITLE:		
NAME	DATE	SIZE	DWG. NO.	REV
DRAWN	GML 5/27/2014	A	XTL ShpDr	A
RELEASED	DWO	TODAY	WEIGHT: 23	SHEET 1 OF 2

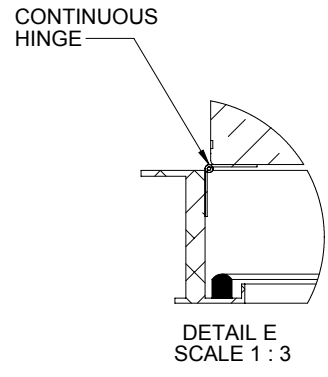
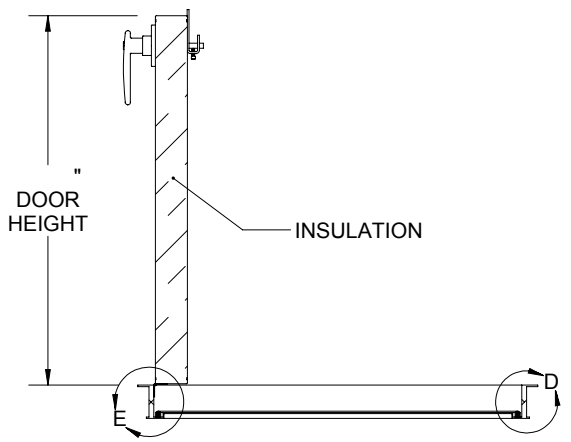
B

B



A

A



PROJECT:			
ARCHITECT:			
CONTRACTOR:			
QTY:			
PART#:			
<p><b>Babcock-Davis</b> <i>Always right there.</i> 9300 73rd Avenue North Brooklyn Park, MN 55428</p>		TITLE:	
NAME	DATE	SIZE	DWG. NO.
DRAWN	GML 5/27/2014	A	XTL ShpDr
RELEASED	DWO	TODAY	WEIGHT: 23
			REV A
			SHEET 2 OF 2

PROPRIETARY AND CONFIDENTIAL: THE INFORMATION CONTAINED IN THIS DRAWING IS THE SOLE PROPERTY OF BABCOCK-DAVIS. ANY REPRODUCTION IN PART OR AS A WHOLE WITHOUT THE WRITTEN PERMISSION OF BABCOCK-DAVIS IS PROHIBITED.