

SECTION A-A

SECTION B-B

NOTES:

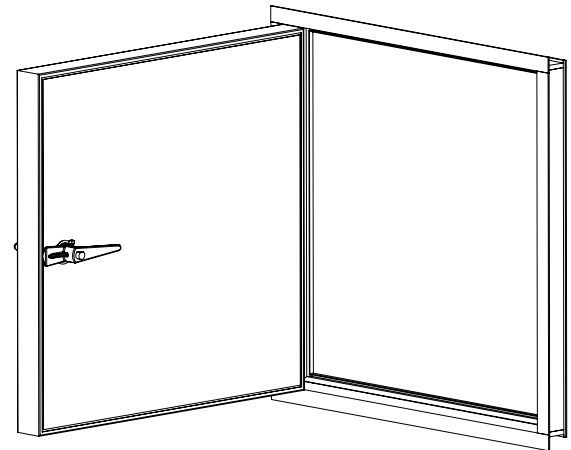
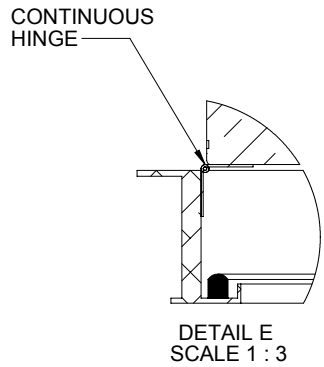
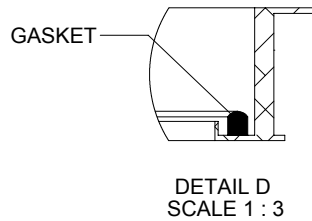
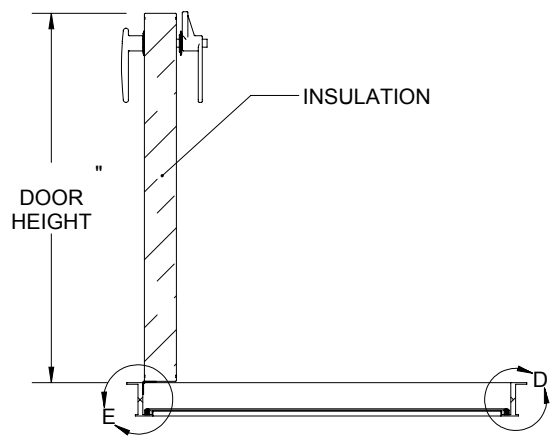
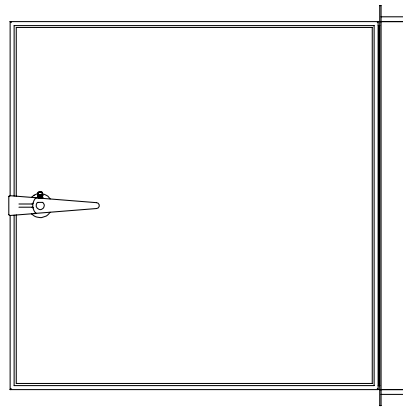
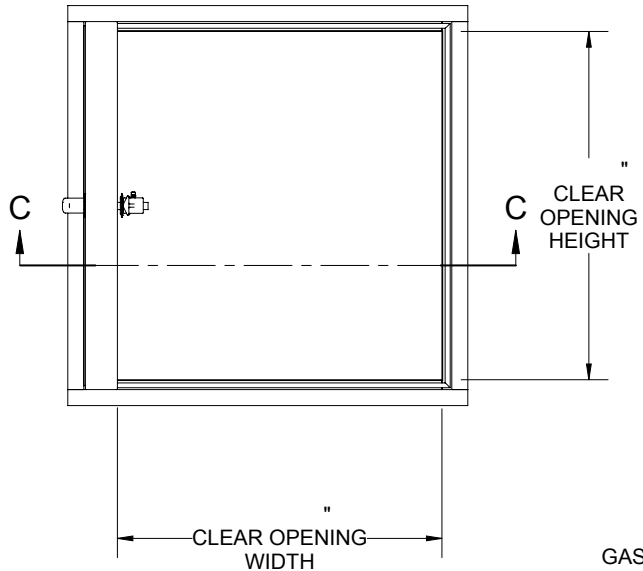
- ① **FRAME:** 6063-T5 Extruded Aluminum, Mill Finish
- ② **DOOR:**
- ③ **HINGE:**
- ④ **GASKET:** EPDM Self-Adhesive, Continuous Gasket
- ⑤ **INSULATION:** Foam Insulation, 2-1/4lb Density
- ⑥ **LATCH:** Non-Locking Handle
- ⑦ **LOCK:** No Lock

ROUGH OPENING: " X "
CLEAR OPENING: " X "
DEGREE OF OPENING: 180°
LATCHING POINTS:

PROJECT:					
ARCHITECT:					
CONTRACTOR:					
QTY:					
PART#:					
		TITLE:			
NAME	DATE	SIZE	DWG. NO.	REV	
DRAWN	GML	5/16/2014	A	XTA ShpDr	A
RELEASED			WEIGHT: VARIES	SHEET 1 OF 2	


B

B



A

A

PROJECT:			
ARCHITECT:			
CONTRACTOR:			
QTY:			
PART#:			
 Babcock-Davis <small>Always right there.</small> 9300 73rd Avenue North Brooklyn Park, MN 55428		TITLE:	
NAME	DATE	SIZE	DWG. NO.
DRAWN	GML 5/16/2014	A	XTA ShpDr
RELEASED			WEIGHT: VARIES
			REV
			A
			SHEET 2 OF 2

PROPRIETARY AND CONFIDENTIAL: THE INFORMATION CONTAINED IN THIS DRAWING IS THE SOLE PROPERTY OF BABCOCK-DAVIS. ANY REPRODUCTION IN PART OR AS A WHOLE WITHOUT THE WRITTEN PERMISSION OF BABCOCK-DAVIS IS PROHIBITED.