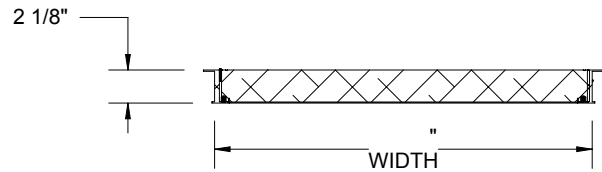
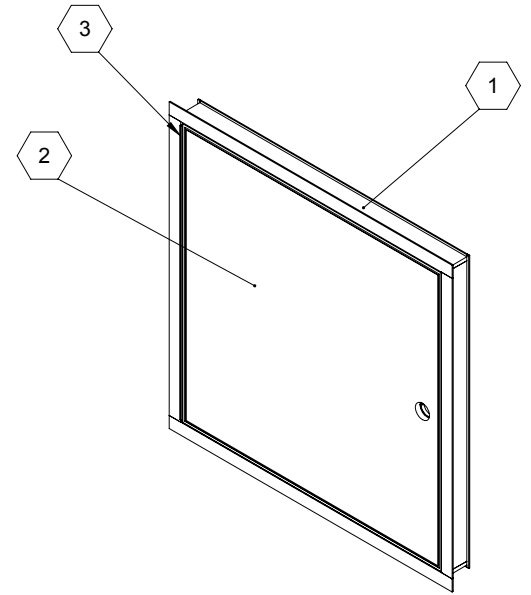


SECTION A-A



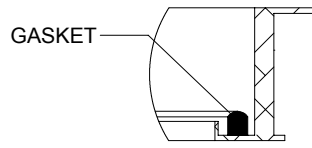
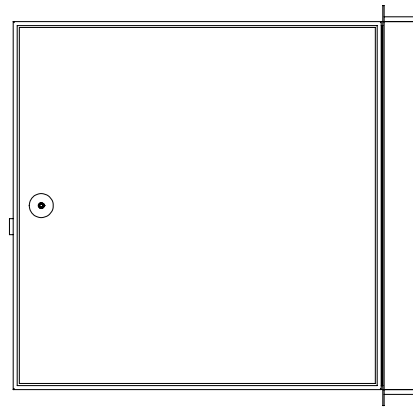
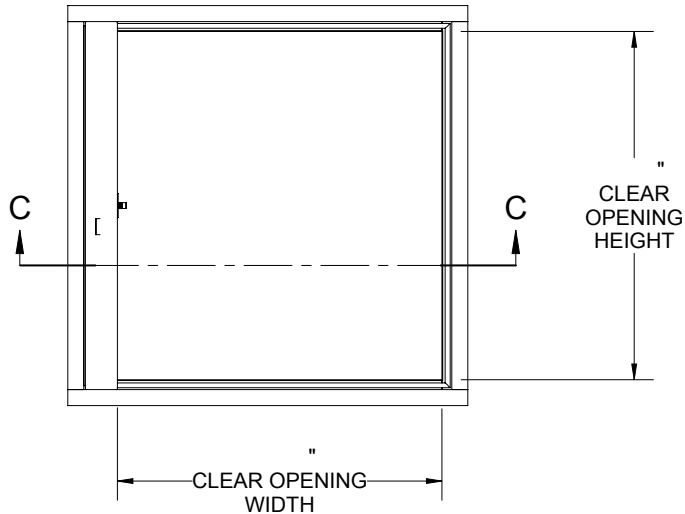
SECTION B-B

NOTES:

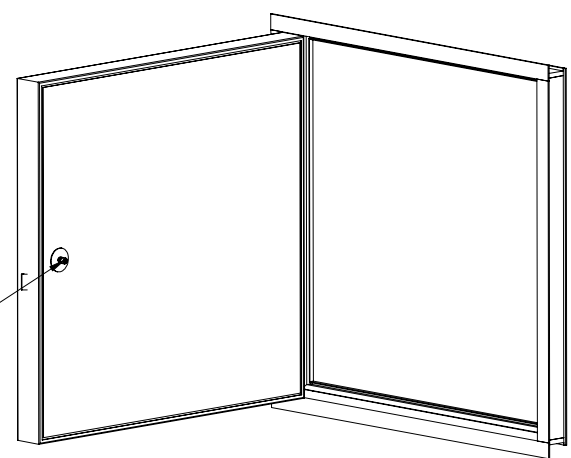
- ① **FRAME:** 6063-T5 Extruded Aluminum, Mill Finish
- ② **DOOR:**
- ③ **HINGE:**
- ④ **GASKET:** Coextruded PVC Leaf, Continuous Four Sides
- ⑤ **INSULATION:** Foam Insulation, 2-1/4lb Density
- ⑥ **LATCH:**
- ⑦ **LOCK:** Mortise Prep

ROUGH OPENING: " X "
CLEAR OPENING: " X "
DEGREE OF OPENING: 180°

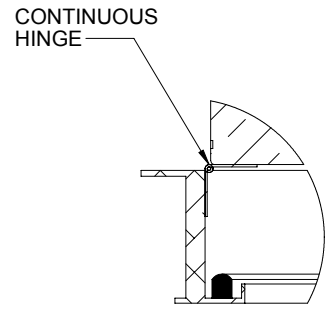
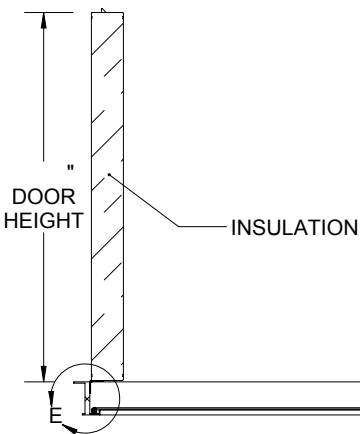
PROJECT:			
ARCHITECT:			
CONTRACTOR:			
QTY:			
PART#:			
 9300 73rd Avenue North Brooklyn Park, MN 55428		TITLE:	
NAME	DATE	SIZE	DWG. NO.
DRAWN GML	6/4/2014	A	BXTM ShpDr
RELEASED DWO	TODAY	WEIGHT: 23	REV A




DETAIL D
SCALE 1 : 3



INTERIOR RELEASE



DETAIL E
SCALE 1 : 3

PROJECT:			
ARCHITECT:			
CONTRACTOR:			
QTY:			
PART#:			
 Babcock-Davis <small>Always right there.</small> 9300 73rd Avenue North Brooklyn Park, MN 55428		TITLE:	
NAME	DATE	SIZE	DWG. NO.
DRAWN	GML	6/4/2014	A
RELEASED	DWO	TODAY	WT: 23
			REV
			A
			SHEET 2 OF 2

PROPRIETARY AND CONFIDENTIAL: THE INFORMATION CONTAINED IN THIS DRAWING IS THE SOLE PROPERTY OF BABCOCK-DAVIS. ANY REPRODUCTION IN PART OR AS A WHOLE WITHOUT THE WRITTEN PERMISSION OF BABCOCK-DAVIS IS PROHIBITED.