

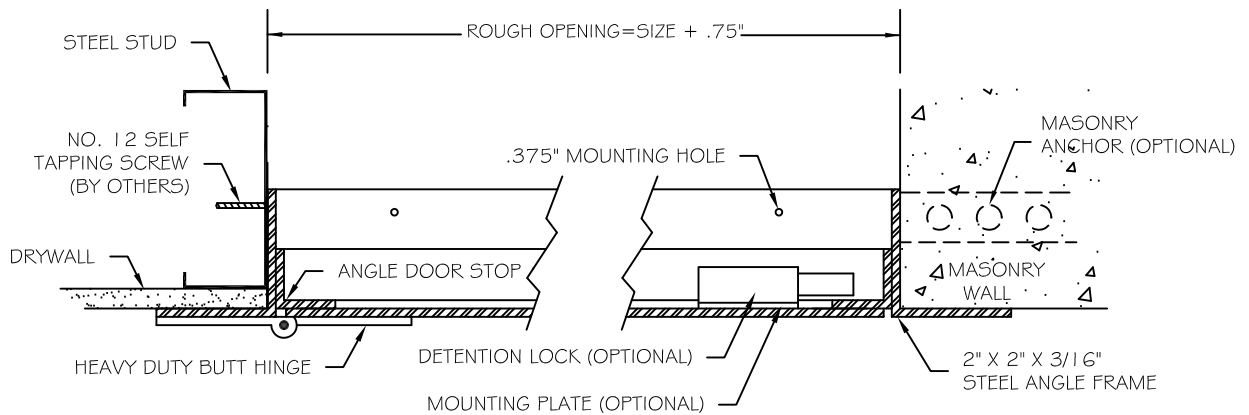
FRONT ELEVATION
NOT TO SCALE

SPECIFICATIONS

- 2" X 2" X 3/16" STEEL ANGLE FRAME
- 1" X 1" X 1/8" STEEL ANGLE DOOR STOP
- 10 GAUGE STEEL PLATE DOOR
- ALL EXPOSED JOINTS WELDED, FILLED AND GROUND SMOOTH
- WHITE BAKED ON POWDER COAT FINISH
- 4" X 4" BUTT HINGE WELDED TO DOOR AND FRAME
- PINNED ALLEN HEAD SECURITY SCREWS (STANDARD ON PANELS 24 X 24 AND LARGER)
- PREPARED TO MOUNT STANDARD DETENTION LOCK USING 5/16 - 18 X 1.75: FLAT HD PINNED TORX SECURITY SCREWS (SCREWS PROVIDED WHEN FACTORY FURNISHES LOCK)

OPTIONS

- PREPARATION FOR 1.125" MORTISE CYLINDER (CYLINDER PROVIDED BY OTHERS OR BY FACTORY)
- PREPARATION FOR HEAVY DUTY DETENTION DEAD BOLT LOCK (LOCK PROVIDED BY OTHERS OR BY FACTORY)
- MASONRY ANCHORS ATTACHED



A — CUT-THRU SECTION
A — NOT TO SCALE

HIGH SECURITY ACCESS PANEL FOR ALL-PURPOSE APPLICATIONS

Standard Features:

Door:	10 gauge (3.43 mm thick) cold rolled steel
Frame:	2" x 2" x 3/16" (50.8mm x 50.8mm x 4.76mm) steel angle
Hinge:	Heavy duty butt hinges Optional: concealed piano hinge
Latch:	Pinned allen head security screw(s) Optional: mortise cylinder preparation (cylinder provided by factory or others) or heavy duty detention lock preparation (deadbolt lock provided by Factory or others)
Finish:	Gray baked on powder coat

Specifications:

Frame shall be 2" x 2" x 3/16" (50.8mm x 50.8mm x 4.76mm) steel angle. Door shall be fabricated from 10 gauge (3.43 mm thick) cold rolled steel. Hinges shall be heavy duty butt type hinges (optional: concealed piano type). Latch(es) shall be a pinned allen head security screw(s) (optional: prepared to receive 1-1/8" mortise cylinder – cylinder provided by Factory or others; or detention preparation to receive heavy duty deadbolt lock – deadbolt lock provided by factory or others). Finish shall be gray baked on powder coat.

Installation shall be in accordance with manufacturer's instructions. Manufacturer shall guarantee against defects in material and workmanship for a period of one year.

Standard Sizes:

Std sizes (in)	Std Sizes (mm)	Weight/Latches
12x12	305x305 35/1	
16x16	406x406 44/1	
18x18	457x457 49/1	
22x30	559x762 69/2	
24x24	610x610 65/2	
24x36	610x914 80/3	
24x40	610x1016 120/4	
24x48	610x1219 125/4	
36x36	914x914 130/5	

All units are hinged on the second dimension (height). Rough opening is door size plus 3/4".