

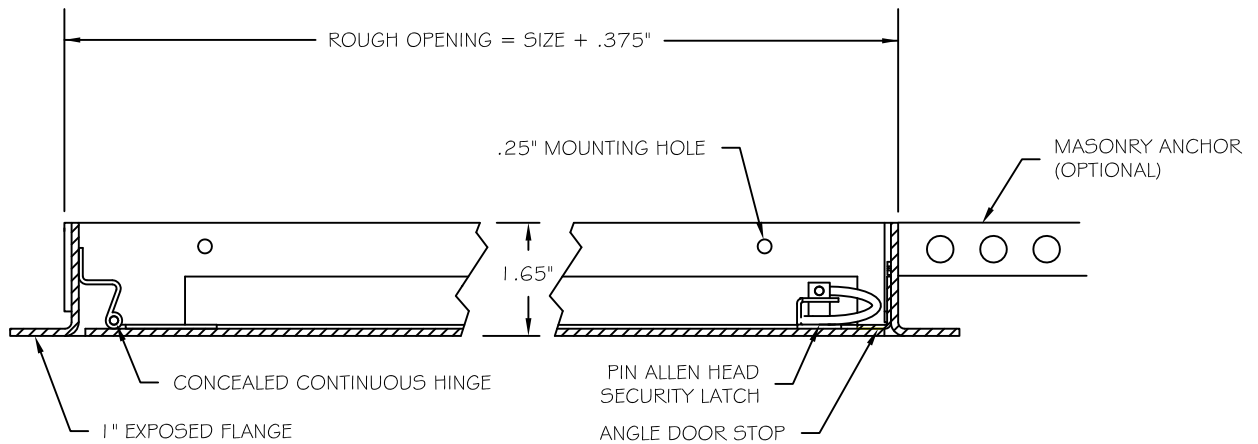
FRONT ELEVATION
NOT TO SCALE

SPECIFICATIONS

- 12 GAUGE COLD ROLLED STEEL FRAME
- 12 GAUGE COLD ROLLED STEEL DOOR
- WHITE BAKED ON POWDER COAT FINISH
- CONCEALED CONTINUOUS HINGE
- FRAMES ARE PROVIDED WITH .25" MOUNTING HOLES
- PINNED ALLEN HEAD SECURITY CAM LATCH (ADDITIONAL CAMS PROVIDED ON PANELS 18" X 18" AND GREATER IN SIZE)

OPTIONS

- GALVANIZED BONDERIZED STEEL
- DRIP CAP
- GASKET
- MASONRY ANCHORS
- STAINLESS STEEL WITH A #4 SATIN POLISH FINISH



CUT-THRU SECTION
NOT TO SCALE

Standard Features:

Door: 12 gauge cold rolled steel
Frame: 12 gauge cold rolled steel with 1" Flange
Hinge: Concealed continuous hinge
Latch: Pinned allen head security cam latch(es)
Finish: White baked on powder coat
Optional: galvanized bonderized or stainless steel with #4 satin polish finish

Specifications:

Frame shall be 12 gauge cold rolled steel with 1" flange. Door shall be fabricated from 12 gauge cold rolled steel. Hinge shall be concealed continuous type. Latch(es) shall be pinned allen head security cam type. Finish shall be white baked on powder coat (optional: galvanized bonderized steel or stainless steel with #4 satin polish finish).

Installation shall be in accordance with manufacturers instructions. Manufacturer shall guarantee against defects in material and workmanship for a period of one year.

Standard Sizes:

| Std Sizes (in) | Std Sizes (mm) | Weight/Latches | Std Sizes (in) | Std Sizes (mm) | Weight/Latches |
|----------------|----------------|----------------|----------------|----------------|----------------|
| 06x06* | 152x152 | 18/1 | 20x30 | 508x762 | 56/3 |
| 08x08 | 203x203 | 20/1 | 22x22 | 559x559 | 49/2 |
| 10x10 | 254x254 | 23/1 | 22x30 | 559x762 | 58/3 |
| 12x12 | 305x305 | 24/1 | 24x24 | 610x610 | 52/4 |
| 12x18 | 305x457 | 30/1 | 24x30 | 610x762 | 60/5 |
| 12x24 | 305x610 | 35/2 | 24x36 | 610x914 | 68/5 |
| 14x14 | 356x356 | 26/1 | 24x48 | 610x1219 | 94/5 |
| 16x16 | 406x406 | 32/1 | 30x30 | 762x762 | 70/5 |
| 16x20 | 406x508 | 36/2 | 32x32 | 813x813 | 76/5 |
| 18x18 | 457x457 | 36/2 | 36x36 | 914x914 | 95/6 |
| 18x24 | 457x610 | 48/2 | 36x48 | 914x1219 | 123/6 |

* Sizes specified have only cam style latching options.

All units are hinged on the second dimension (height). Rough opening is door size plus 1/4".