

Wall & Door Protection

August 2014



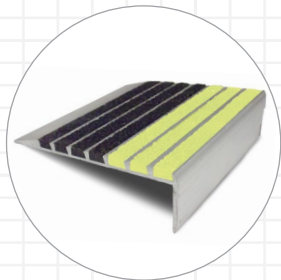
Babcock-Davis[®]

Always right there.

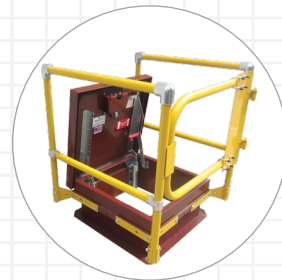


Babcock-Davis, a trusted name in the commercial construction industry, specializes in providing commercial building products. Architects, specifiers, general contractors, and distributors rely on the Babcock-Davis product line for a quality product with hassle-free fulfillment.

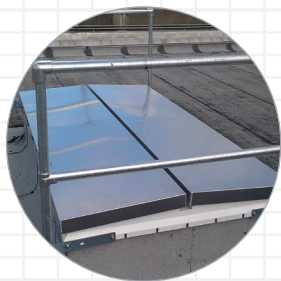
No matter your project requirements, Babcock-Davis is Always right there.



Stair Treads & Nosings
05 51 00



Roof Hatches
07 72 33



Smoke Vents
07 72 36



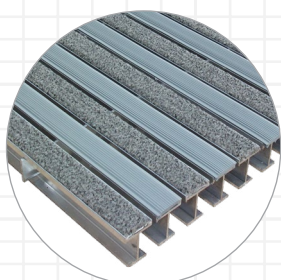
Access Doors
08 31 00



Floor Doors
08 31 00



Wall & Door Protection
10 26 00



Entrance Flooring Systems
12 48 13



Babcock-Davis[®]
Always right there.

A full line of Wall and Door Protection.

Wall and Door Protection is an essential component in any commercial project for preventing damage and safeguarding your building investment. Choose from Babcock-Davis' complete product offering of corner guards, crash rails, handrails, bumper guards, and wall coverings.

Corner Guards *pg 5-7*

- Stainless Steel
- Vinyl Surface Mount
- Vinyl Recess Mount
- Extruded Vinyl
- Lexan®
- Vinyl Door Frame Guards



Crash Rails, Bumper Guards *pg 8-10*

- Stainless Steel and Aluminum Crash Rails
- Vinyl Crash Rails
- EnvironWOOD Chair & Crash Rails
- Vinyl Bumper Guards



Handrails *pg 12*

- Vinyl
- EnvironWOOD



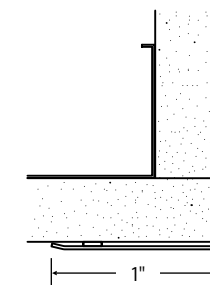
Wall Coverings *pg 13*

- Stainless Steel
- Vinyl

Color Chart *pg 14-15*

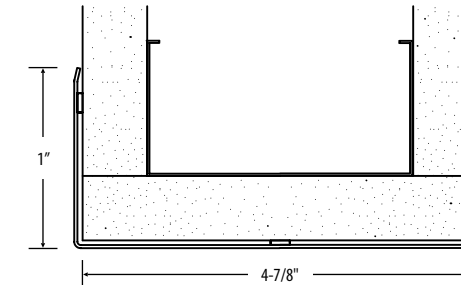
- 50 premium vinyl colors
- 12 Stainless steel patterns
- 12 EnvironWOOD finishes

- Modern and attractive appearance
- Surface and recess mount applications
- Mount with either mastic or oval head screws
- Satin finish or one of 11 embossed patterns
- Options include wing size, height, angle, and stainless steel type (#304, #316 or #430)



Corner Guard

BCGSS1SA: 1" surface mounted wing, 16 gauge type #304 stainless steel. Also available in type #430 and in a variety of wing sizes

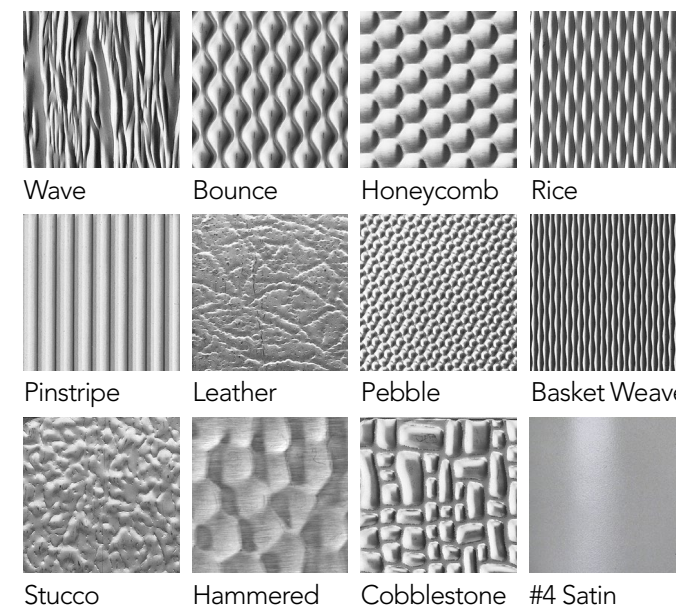


End Wall

BCGSS1SA-EW4875: 1" 16 gauge type #304 stainless steel surface mounted wing with 4-7/8" wall width. Also available in type #430 and in wing sizes larger than 1" as well as various wall widths

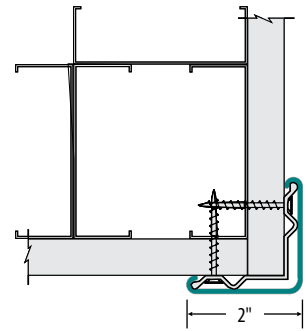
Patterns

Standard finish corner guards are #4 satin in 16 gauge thickness in either type #304 or #430 stainless steel. Embossed stainless steel is available in type #304 stainless. Thickness varies depending on the pattern.



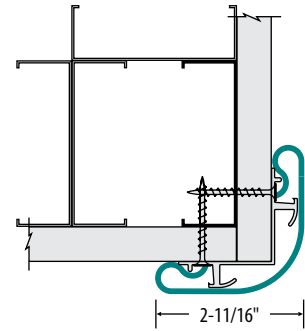
Vinyl Surface Mount Corner Guards

- Easily installed on new or existing walls
- Class A fire-rated
- Options include 135° radius (3" only), recycled PVC retainers, and end walls



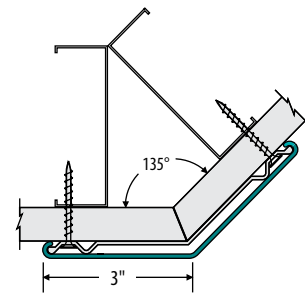
Standard

BCGVS2S: 2" wing 1/4" radius vinyl cover mounted over continuous retainer. Also available in 3"



Bullnose

BCGVS26875B: 2-11/16" wing 1-1/4" radius vinyl bullnose cover for high impact areas

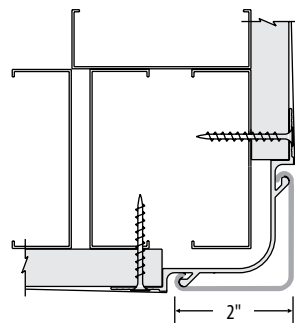
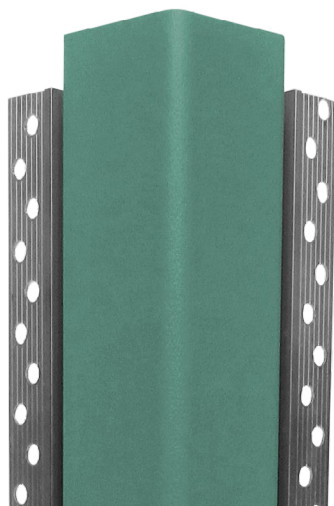


135°

BCGVS3S-D135: 3" vinyl 1/4" radius 135° cover mounted over continuous retainer

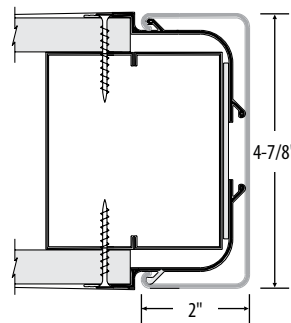
Vinyl Recess Mount Corner Guards

- Used in new wall construction
- Easily installed from floor to ceiling
- Class A fire-rated
- Aluminum cove base, 4" standard height
- Options include 135° radius (3" only), 2 hour fire barrier (UL listed), and end walls



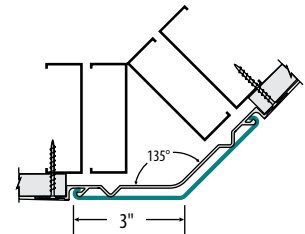
Standard (2")

BCGVR2S: 2" wing 1/4" radius vinyl cover mounted over continuous retainer. Also available in 3"



End Wall

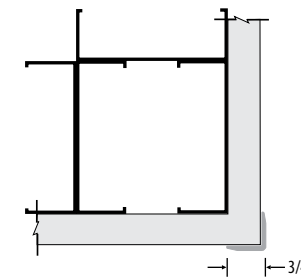
BCGVR2S-EW4875: 2" wing 1/4" radius end wall vinyl cover mounted over continuous retainer



135°

BCGVR3S-D135: 3" wing 1/4" radius 135° cover mounted over continuous retainer

Extruded Vinyl Corner Guards

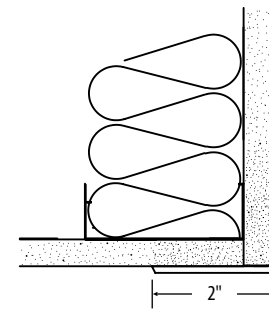


BCGVE75S: .078" thick vinyl with 3/4" wing. Also available in 1-1/2" and 2-1/2" wings

- Economical option for corner protection
- Adhered with tape or glue directly to the wall
- Wings are tapered back for a finished appearance
- Class A fire-rated

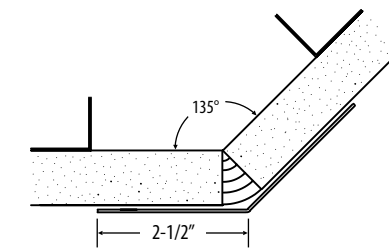
Lexan® Corner Guards

- Clear polycarbonate corner guards
- Economical option for corner protection
- Options include 135° radius (2-1/2" only)



Standard

BCGLSS2S: 2" Lexan® wing. Also available in up to 2-1/2"

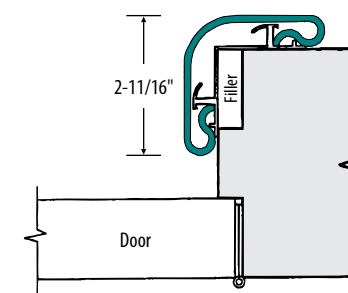


135°

BCGLSS5S-D135: 2" Lexan® wing with 135° angle. Also available in up to 2-1/2"

Vinyl Door Frame Guards

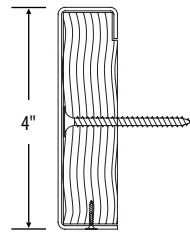
- High impact resistance
- Class A fire-rated



BDGV26875: 2-11/16" wing 1-1/4" radius vinyl cover mounted over continuous aluminum retainer

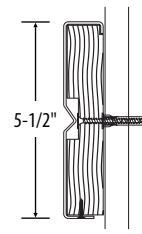
Stainless Steel and Aluminum Crash Rails

- Modern and attractive appearance
- Satin finish or one of 11 embossed patterns
- Options include material (type #304 stainless steel, #430 stainless steel, or 6063-T5 aluminum)



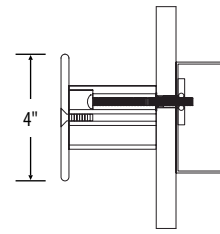
Standard

BCRSS4: 4" surface mount, type #304 stainless steel. Also available in type #430, 6063-T5 aluminum



V-Groove

BCRSE55-BS: 5-1/2" surface mount with V-groove, type #304 stainless steel. Also available in type #430, 6063-T5 aluminum

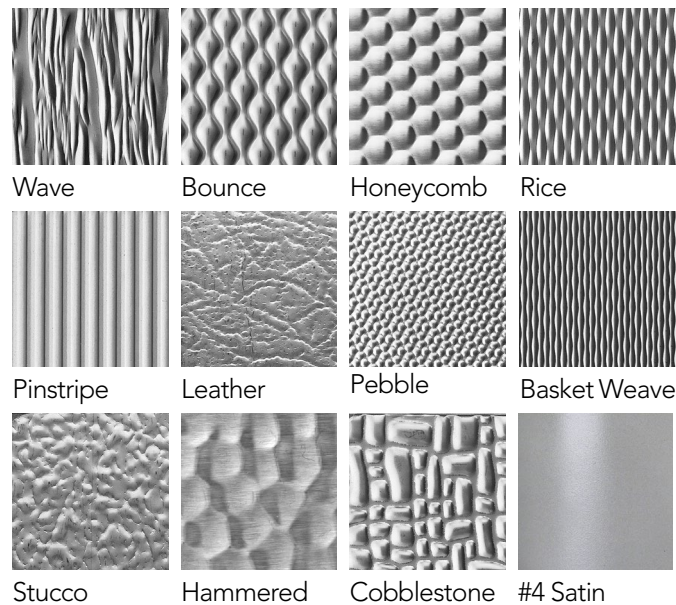


Extended Mount

BCRSE4-BS: 4" extended mount, type #304 stainless steel. Also available in type #430, 6063-T5 aluminum

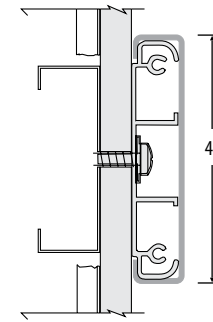
Patterns

Standard finish crash rails are #4 satin in 16 gauge thickness in either type #430 or #304 stainless steel. Embossed stainless steel is available in type #304 stainless. Thickness varies depending on the pattern.



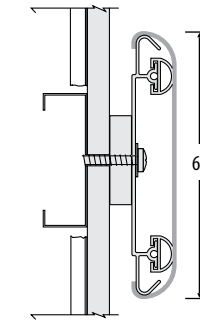
Vinyl Crash Rails

- Versatile horizontal wall protection
- Surface and extended mount applications
- Class A fire-rated
- Options include cushions for wall offset, extended mount brackets, and accent strip (4", 6", and 8" only)



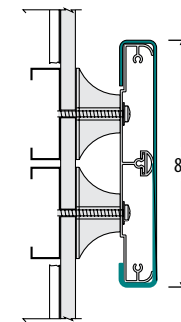
Standard

BCRVS4C: 4" vinyl cover over continuous aluminum retainer. Also available in 6" and 8"



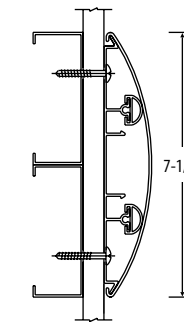
Cushion

BCRVS6C-C05: 6" vinyl cover over continuous aluminum retainer, 1/2" cushion. Also available in 4" and 8" cover, 1/8" cushion



Extended Mount

BCRVE8C-B15: 8" vinyl extended mount cover over continuous aluminum retainer, 1-1/2" bracket. Also available in 4" and 6" vinyl, 2" bracket



Crescent

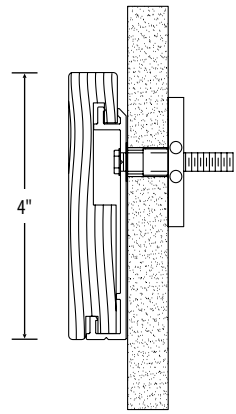
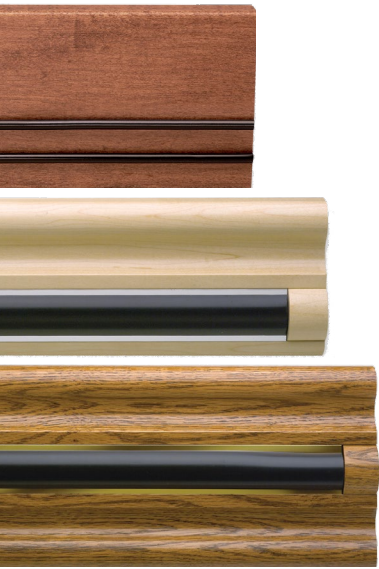
BCRVS7C: 7" vinyl crescent cover over continuous aluminum retainer. Also available in 5"



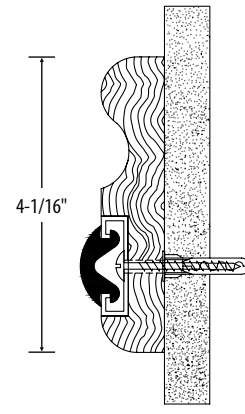
EnvironWOOD Chair and Crash Rails

- Warmth and richness of fine hardwoods
- Multiple finishes and stains
- Well-suited for lower abuse applications

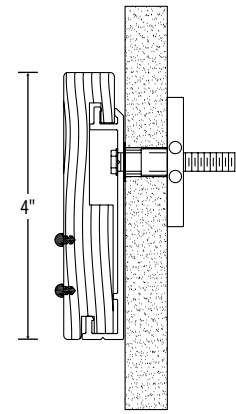
- Options include stain, finish, and vinyl bumperettes



Standard
BWCRS-4: 4" surface mount



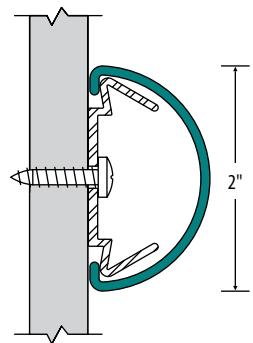
Bumperette
BWCRB-4: 4" surface mount with vinyl bumperette



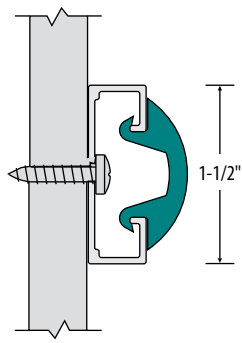
Dual Bumperettes
BWCRSBT-4: 4" surface mount with two vinyl bumperettes

Vinyl Bumper Guards

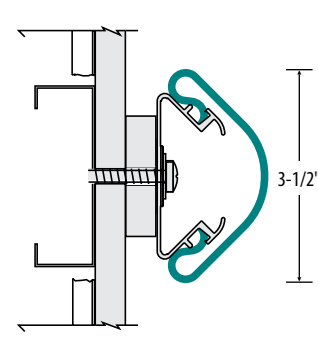
- Class A fire-rated
- Options include cushions and extended mount bracket (3-1/2" only)



Standard
BBGVS2C: Surface mount 2" rail with vinyl cover and economical plastic retainer

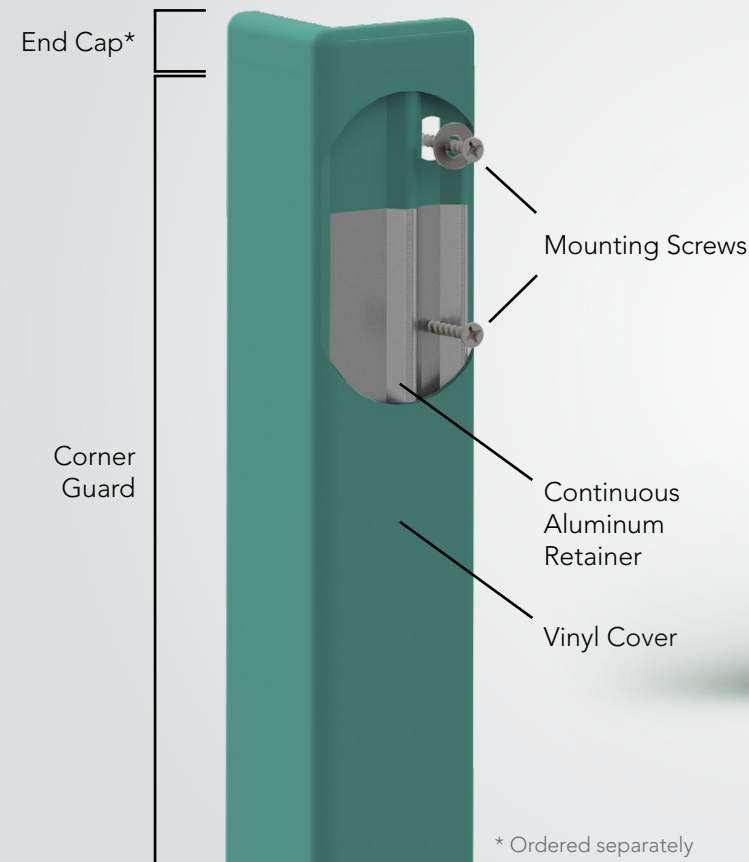


Rub Rail
BBGVS15C-RFM: Surface mount 1-1/2" rail with flexible vinyl bumper inserted into continuous aluminum retainer

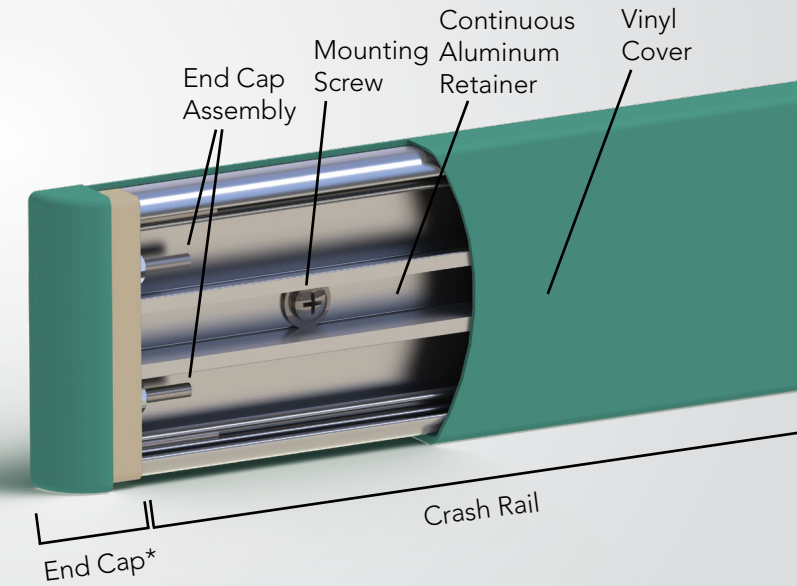


Cushion
BBGVS35-C05: Surface mount 3-1/2" rail with vinyl cover and continuous aluminum retainer

Inside Wall Protection

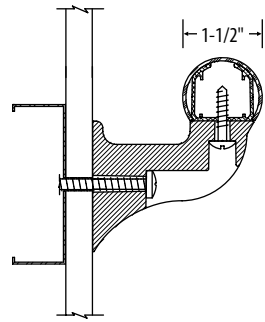


* Ordered separately



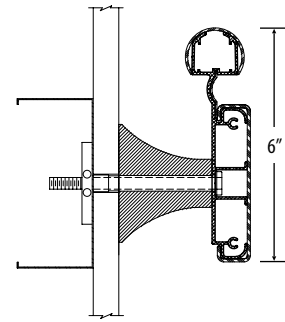
Vinyl Handrails

- Continuous aluminum retainer
- Class A fire-rated
- ADA compliant
- Options include accent strip (5-1/2" and 6" only)



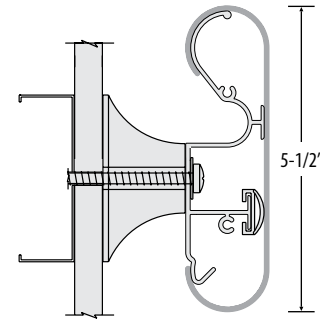
Standard

BHRVE15: 1-1/2" diameter round hand grip with continuous aluminum retainer



Thumb Grip

BHRVE6C: 6" rail with full-length vinyl cover and continuous aluminum retainer. Also available in 5-1/2"

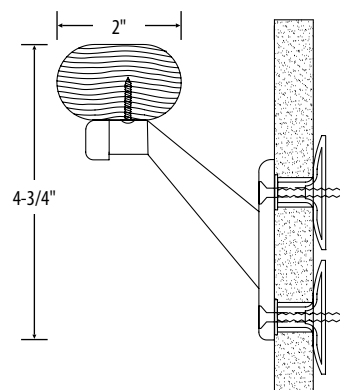


Accent Strip

BHRVE55C-AS: 5-1/2" rail with full-length vinyl bumper with accent strip and continuous aluminum retainer. Also available in 6"

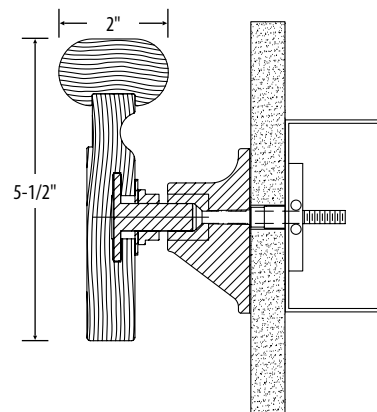
EnvironWOOD Handrails

- Warmth and richness of fine hardwoods
- Multiple finishes and stains
- Well-suited for lower abuse applications
- ADA compliant



Standard

BWHR-20: 2" round hand grip mounted over cast aluminum rail



Thumb Grip

BWHRO-55: 5-1/2" extended mount wood with 1-1/4" round thumb grip

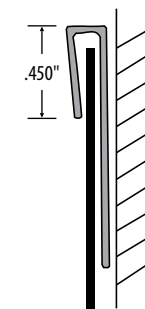
Stainless Steel Wall Coverings

- Ideal for clean rooms and food service areas
- High impact capacity
- Simple cleaning and maintenance
- 16 gauge type #304 stainless steel sheets



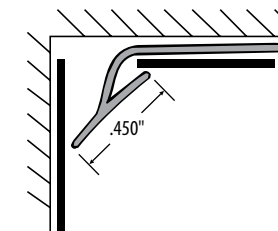
Vinyl Wall Coverings

- Protects medium to high abuse areas
- Manufactured with color throughout the thickness of the sheet to hide dents and scratches
- Chemical and stain resistant
- Complete set of finishing features
- Options include thickness (.028", .040", and .060") and form (4'x8' sheet or 4'x120' roll)



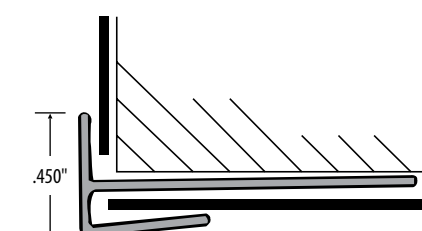
J Molding

BWCV-MJM: 10' long vinyl J-molding



Inside Corner

BWCV-MIC: 10' high vinyl inside corner

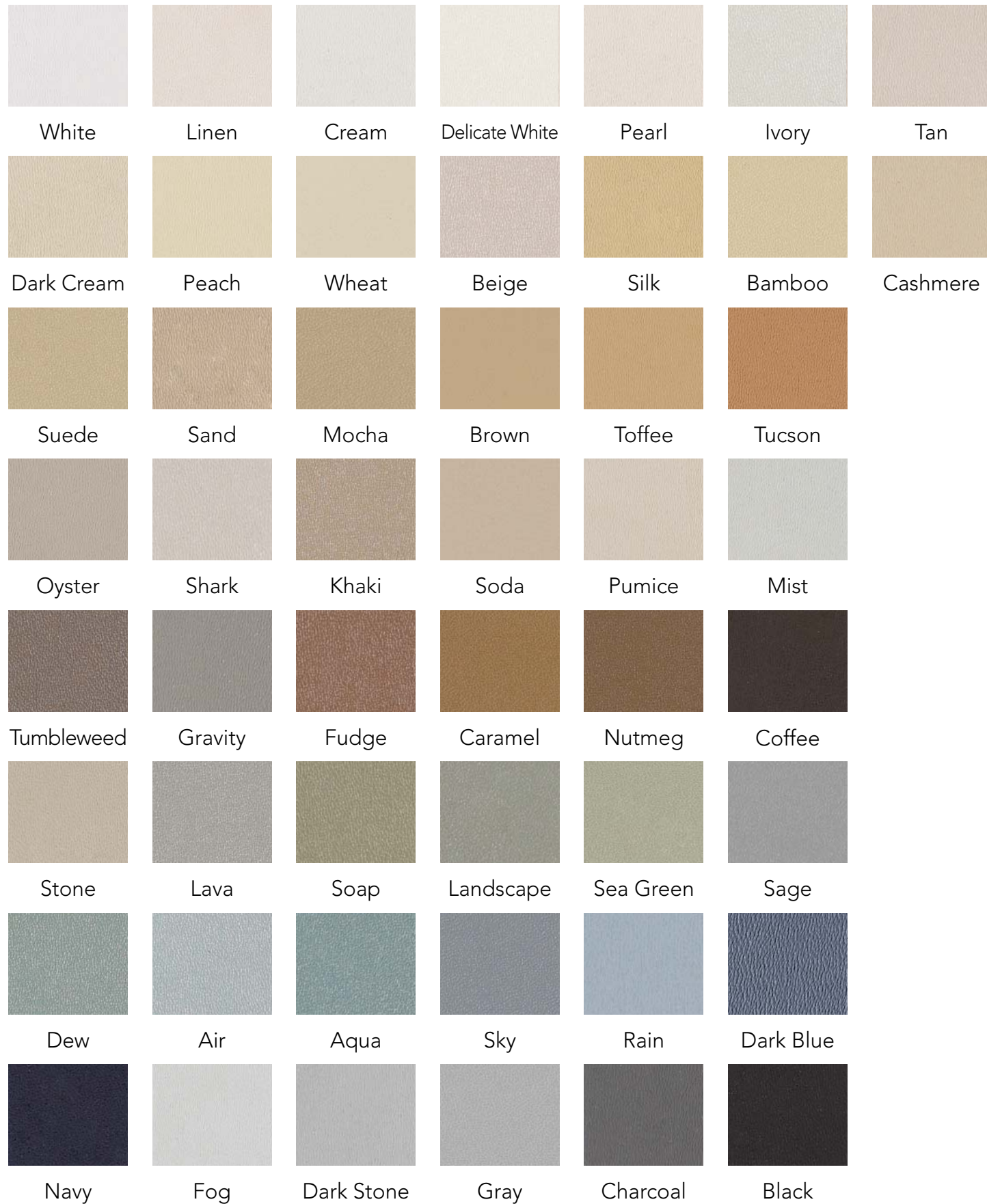


Outside Corner

BWCV-MOC: 10' high vinyl outside corner



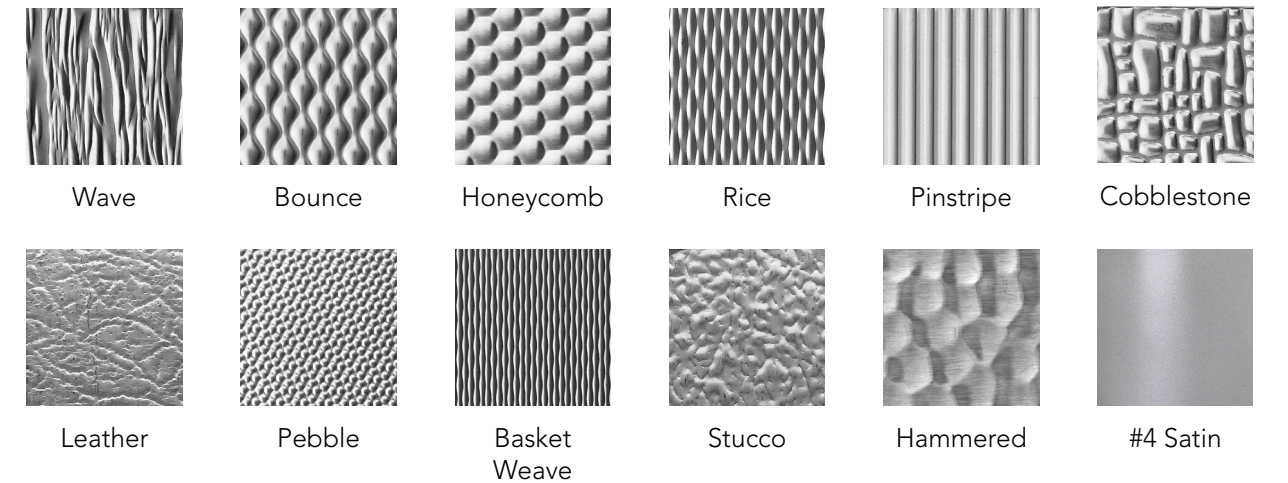
Vinyl Color Chart



Colors above are only approximations. Contact us for samples.

Stainless Steel Patterns

The #4 satin finish comes standard in 16 gauge thickness for both type #304 and #430 stainless steel. Embossed stainless steel is available in type #304 stainless. Thickness varies depending on the pattern.

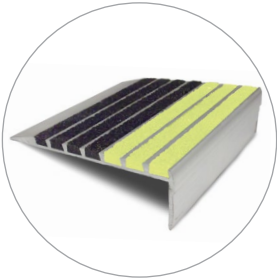


EnvironWOOD Finishes



Choose from our 12 gorgeous hardwood finishes to add warmth and richness to your interior. Our collection of responsibly harvested wood includes oak, maple, and ash varieties.

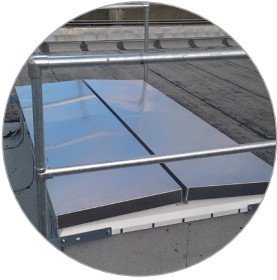
Custom finishes are also available.



Stair Treads & Nosings
05 51 00



Roof Hatches
07 72 33



Smoke Vents
07 72 36



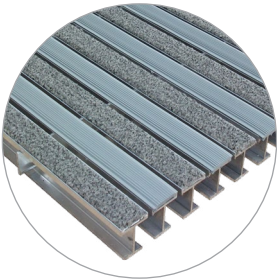
Access Doors
08 31 00



Floor Doors
08 31 00



Wall & Door Protection
10 26 00



Entrance Flooring Systems
12 48 13