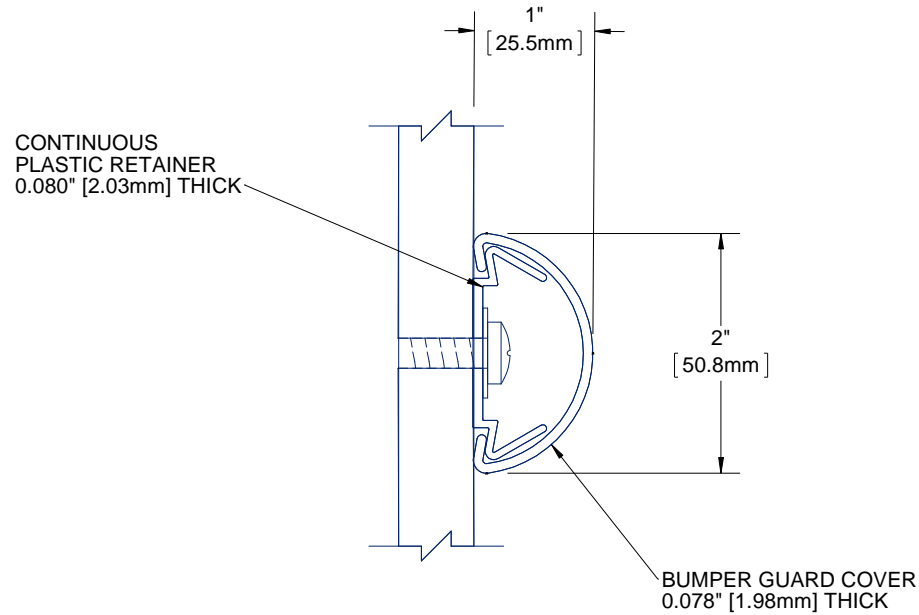


QUANTITY

COLOR



NOTES:

- PROFILE:** HIGH IMPACT VINYL ACRYLIC EXTRUSION LOCKED IN PLACE, 2" IS 0.078" (1.98mm) THICK
- CLASS A FIRE RATING, TESTED TO ASTM E84
- RETAINER:** CONTINUOUS PLASTIC RETAINER, NOMINAL 0.080" (2.03mm) THICK
- EXTRUSION:** PEBBLE GRAIN FINISH WHICH CONTAINS EPA REGISTERED MICRO-CHEK ANTIMICROBIAL AGENT
- VINYL BUMPER GUARD LENGTH:** PROVIDED IN 20' CONTINUOUS SECTIONS
- END CAP: #BBGVS2C-EC, OUTSIDE CORNER: #BBGVS2C-OC
- FASTENERS AND PARTITION COMPONENTS PROVIDED BY OTHERS.

PROJECT:					
ARCHITECT:					
CONTRACTOR:					
 9300 73rd Avenue North Brooklyn Park, MN 55428		TITLE: 2" VINYL BUMPER GUARD SURFACE MOUNT PLASTIC RETAINER			
		NAME	DATE	SIZE	DWG. NO.
DRAWN	MDS	26APR13	A	BBGVS2C-PR	A
RELEASED	PGE	01MAY13	WEIGHT: 0.28 LBS/FT		SHEET 1 OF 1