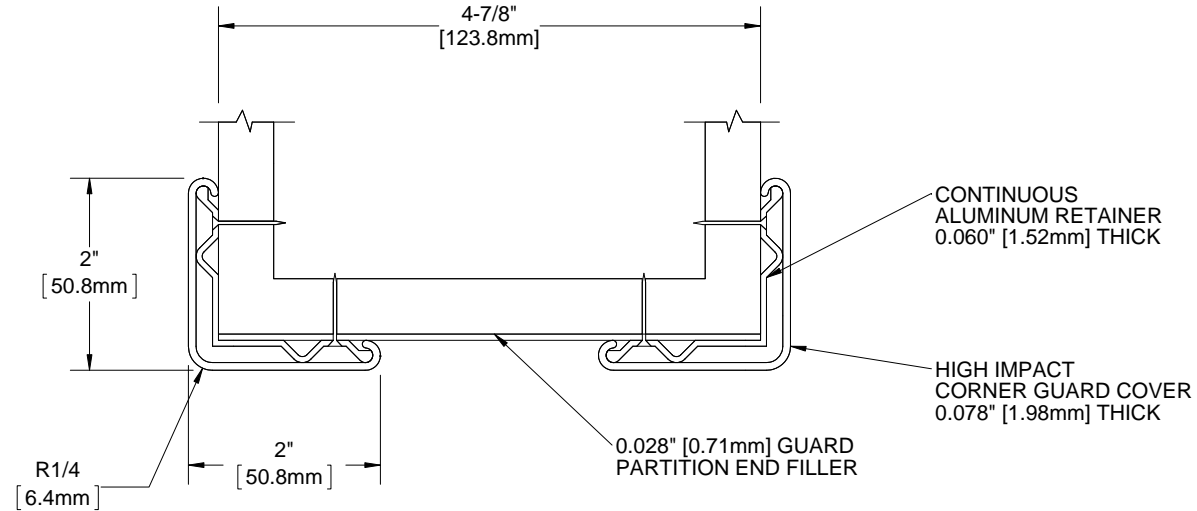


QUANTITY	LENGTH

COLOR



NOTES:

- PROFILE:** HIGH IMPACT VINYL ACRYLIC EXTRUSION LOCKED IN PLACE, NOMINAL 0.078" (1.98mm) THICK
- CLASS A FIRE RATING, TESTED TO ASTM E84
- RETAINER:** CONTINUOUS 6063 T-5 ALUMINUM, NOMINAL 0.060" (1.52mm) THICK
- EXTRUSION:** PEBBLE GRAIN FINISH WHICH CONTAINS EPA REGISTERED MICRO-CHEK ANTIMICROBIAL AGENT
- MAXIMUM LENGTH:** VINYL CORNER GUARDS 20'
- HARDWARE:** #6 X 1-5/8" DRYWALL SCREWS INCLUDED
- END CAP: #BCGVS2S-EC (4X REQUIRED FOR COMPLETE ASSEMBLY)
- PARTITION COMPONENTS PROVIDED BY OTHERS. FINISHED LENGTH INCLUDES END CAPS

PROJECT:					
ARCHITECT:					
CONTRACTOR:					
 9300 73rd Avenue North Brooklyn Park, MN 55428				TITLE: 2" VINYL CORNER GUARD	
				SURFACE MOUNT END WALL	
NAME	DATE	SIZE	DWG. NO.	REV	
DRAWN MDS	24APR13	A	BCGVS2S-EW4875	A	
RELEASED	PGE	01MAY13	WEIGHT: 1.07 lbs/ft	SHEET 1 OF 1	