

Roof Hatch, Hurricane Hatch™ Installation Instructions, Operation and Maintenance

Item Number:

IOM-RHZ

Revision

Date

A

5/11/12

Overview:

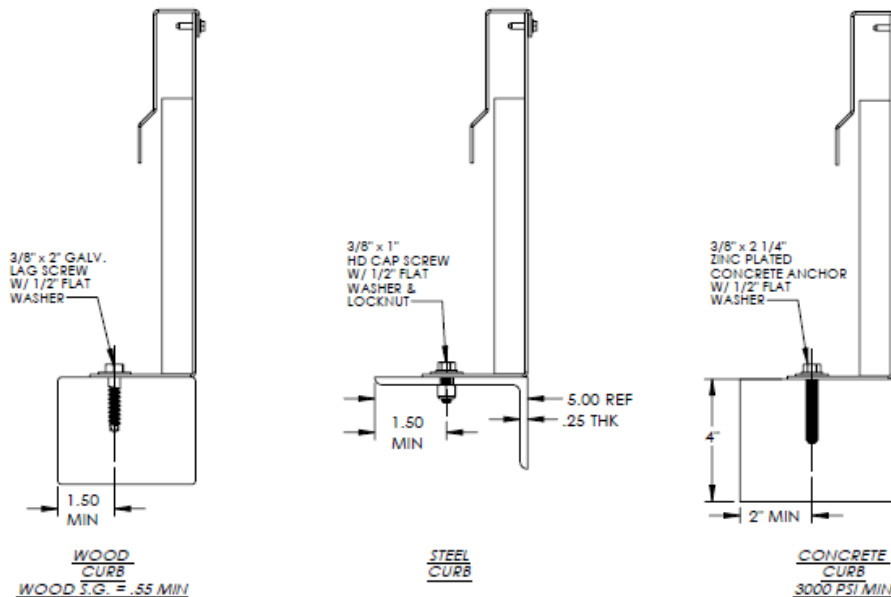
Roof Hatch products are designed and built for years of convenient and weather tight roof access for personnel as well as equipment. The following installation instruction is intended for installing, operating and maintaining Hurricane Hatch™ roof hatch products. These are recommended guidelines only. Locally accepted roofing and sealing practices and procedures should be followed to ensure the ultimate weather-ability of roof hatches installed into the various different types of roofing systems used.



Installation:

1. Insure that the roof mounting surface is flat to avoid twisting of the smoke vent base. Place the smoke vent over the existing opening in the roof that has been prepared with appropriate roofing membrane, if applicable.
 - a. The roof rough opening dimensions are equal to the roof hatch dimensions as measure from the inside curb to inside curb. For example a 36"x30" roof hatch will have a roof rough opening of 36"x30".

2. The curb flange comes with predrilled mounting holes to accommodate various fastening methods practiced and accepted at a local level.
 - a. Mark the pre-drilled 5/8" diameter holes from the mounting flange through to the roof deck or a concrete curb. Drill roof deck or concrete curb for installation of anchors or other fasteners, provided by others. Bolt or otherwise fasten roof hatch curb flange to roof deck using 3/8" diameter screw, or anchor as detailed below.



These instructions are meant as a general guide only. Some variations may occur, refer to construction drawings before proceeding.

Roof Hatch, Hurricane Hatch™ Installation Instructions, Operation and Maintenance

Item Number:

IOM-RHZ

Revision

Date

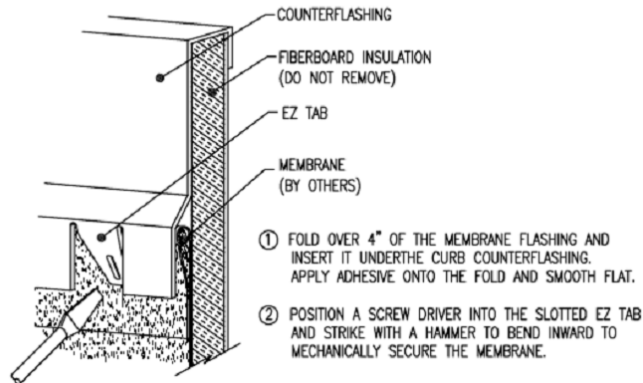
A

5/11/12

3. Install roofing material up to and around the roof curb, up under the counterflashing. Lap all joints sealing roofing material to provide a weather tight seal according to roofing type and local processes.

EZ TAB

A QUICK FLASHING SYSTEM FOR MEMBRANE ROOFS



Operation

The basic components for door operation include turn handle latches incorporating padlock hasps, spring hinge assemblies and a locking hold open arm as detailed:

Latch: Slam latch with interior rotating handle and exterior, gasketed turn handle, both incorporating padlock hasps to accommodate interior and/or exterior locking options.

Spring/Hinge: Concealed, tamperproof, heavy-duty zinc plated steel spring/hinge packs integrated with counter balance compression springs to ensure ease of opening and closing during use.

Hold Open Arm: Locking hold open arm automatically engages and locks when the door fully opens. The hold open arm must be engaged in the locked position to ensure that the door does not close unintentionally. Pull the red vinyl grip handle to unlock and safely close the door.

Maintenance:

Roof hatches should be manually operated once a year to check performance.

Lubricate moving parts such as hinges and latches with a silicone spray lube as required to maintain a smooth opening and closing of the door. Do not over grease. Do not use regular lubricating oil as it can attract dust and grit.

Non-moving parts can be cleaned with a mild soap or dishwashing detergent and water solution.

Gaskets can be cleaned with a clean, damp, lint-free cloth. Do not apply mineral oils, vinyl dressings, or other lubricants to the gasket as they can cause the gasket to break down over time.

For any questions regarding the installation, operation and maintenance of the roof hatch product, please call our toll-free number for assistance, 1-800-547-2635.