

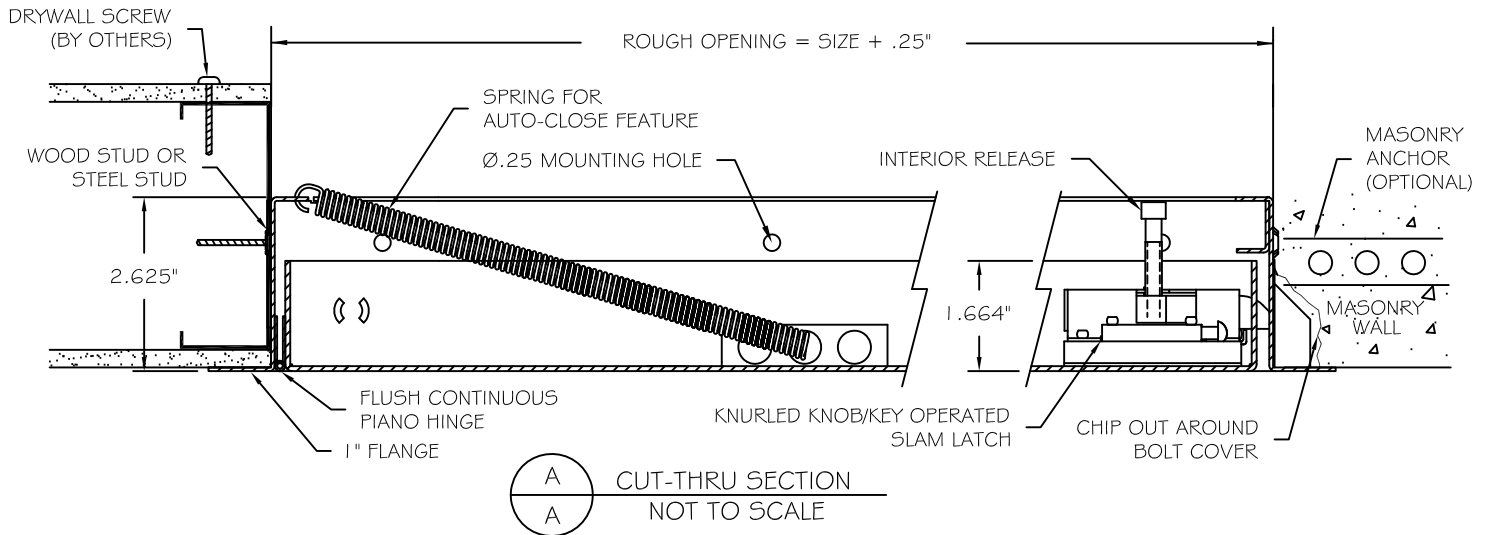
FRONT ELEVATION
NOT TO SCALE

SPECIFICATIONS

- 16 GAUGE COLD ROLLED STEEL FRAME
- 14 GAUGE COLD ROLLED STEEL DOOR
- GRAY BAKED ON POWDER COAT FINISH
- FLUSH CONTINUOUS PIANO HINGE
- FRAMES PROVIDED WITH .25" MOUNTING HOLES
- KNURLED KNOB / KEY OPERATED SLAM LATCH
- SPRING DOOR CLOSURE
- 1" WIDE EXPOSED FLANGE
- INTERIOR RELEASE MECHANISM

OPTIONS

- GALVANIZED BONDERIZED STEEL
- STAINLESS STEEL WITH #4 SATIN POLISH FINISH
- STAINLESS STEEL CONTINUOUS PIANO HINGE (STANDARD ON STAINLESS STEEL PANELS)
- CONCEALED PIN HINGE
- PREPARATION FOR 1.125" MORTISE CYLINDER (CYLINDER PROVIDED BY OTHERS OR BY FACTORY)
- MASONRY ANCHORS



A
A
CUT-THRU SECTION
NOT TO SCALE

Standard Features:

- Door: 14 gauge cold rolled steel
- Frame: 16 gauge cold rolled steel with 1" Flange
- Hinge: Flush continuous piano hinge
- Latch: Knurled knob/Key operated slam latch
Optional: Mortise cylinder preparation (cylinder provided by factory or by others)
- Finish: Gray baked on powder coat
Optional: galvanized bonderized or stainless steel with #4 satin polish finish
- Insulation: None
- Other: Self-closing with interior release mechanism (self-closing in wall application only)

Specifications:

Frame shall be 16 gauge cold rolled steel with 1" flange. Door shall be fabricated from 14 gauge formed cold rolled steel. Door shall be self-latching and self-closing with interior latch release mechanism (self-closing in wall application only). Hinge shall be a flush continuous piano hinge. Latch(es) shall be knurled knob/Key operated slam latch (optional: preparation to receive 1/8" mortise cylinder - cylinder provided by factory or others). Finish shall be gray baked on powder coat (optional: galvanized bonderized steel or stainless steel with #4 satin polish finish).

Installation shall be in accordance with manufacturers instructions. Manufacturer shall guarantee against defects in material and workmanship for a period of one year.

Standard Sizes:

Std sizes (in)	Std sizes (mm)	Weight/Latches	Std sizes (in)	Std sizes (mm)	Weight/Latches
08x08	203x203	5/1	22x30	559x762	23/1
10x10	254x254	7/1	22x36	559x914	29/2
12x12	305x305	9/1	24x24	610x610	21/1
12x18	305x347	13/1	24x30	610x762	23/1
12x24	305x610	14/1	24x36	610x914	29/2
14x14	356x356	13/1	24x48	610x1219	42/2
16x16	406x406	12/1	30x30	762x762	29/1
18x18	457x457	14/1	32x32	813x813	35/1
18x24	457x610	19/1	36x36	914x914	40/2
20x30	508x762	21/1	36x48	914x1219	50/2
22x22	559x559	20/1			

All units are hinged on the second dimension (height). Rough opening is size plus 1/4". These panels are self-closing in wall applications only.