

SECTION A-A

SPECIFICATIONS:

- ① **COVER:** ALUMINUM EXTRUSION WITH 11GA ALUM RETAINER TO WITHSTAND A LIVE LOAD OF 40 PSF WITH A MAX DEFLECTION OF 1/150 OF THE SPAN
- ② **TRANSLUCENT MATERIAL:** POLYCARBONATE MULTI-WALL WHITE
- ③ **CURB AND COUNTERFLASH W/ EZ TAB:** 14 GAUGE GALVANNEAL
- ④ **FINISH: COVER-** MILL  
**CURB-** POWDER COAT PAINT, HIGH GLOSS WHITE
- ⑤ **GAS SPRING WITH DAMPER:** DESIGNED TO OPEN AGAINST A 10PSF SNOW LOAD IN NOT LESS THAN 2 SECONDS
- ⑥ **HOLD OPEN ARM:** LOCK COVER IN FULLY OPEN POSITION - ZINC PLATED STEEL
- ⑦ **LATCH:** ZINC PLATED ROTARY LATCH ASSEMBLY DESIGNED TO HOLD COVERS CLOSED AGAINST 90 PSF WIND UPLIFT ZINC PLATED STEEL LATCH STRIKERS ON COVERS

- ⑧ **HINGES:** ZINC PLATED STEEL WITH STAINLESS STEEL HINGE PINS
- ⑨ **INSULATION:** 1" POLYISOCYANURATE IN COVER AND AROUND CURB PERIMETER, R-VALUE 6
- ⑩ **GASKET:** ADHESIVE BACKED EPDM RUBBER EXTRUSION
- ⑪ **THERMAL RELEASE MECHANISM:** VENT COVERS OPEN THERMALLY BY HEAT AT FUSIBLE LINK TEMPERATURE °F
- ⑫ **MANUAL OPENING:** VENT COVERS OPEN WITH INTERNAL AND EXTERNAL MANUAL PULL HANDLE, 1/16" DIA SST CABLE

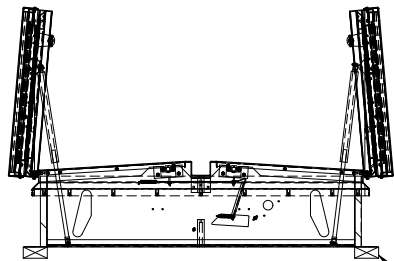
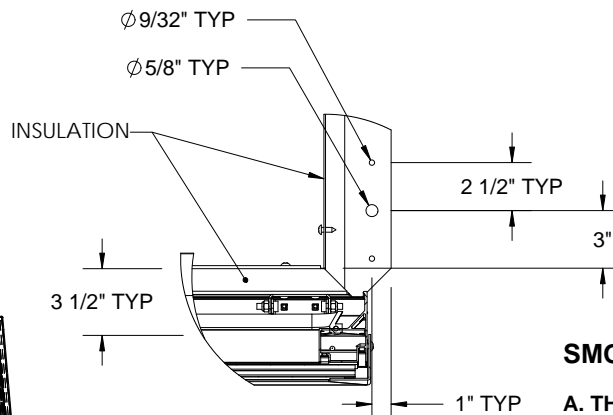
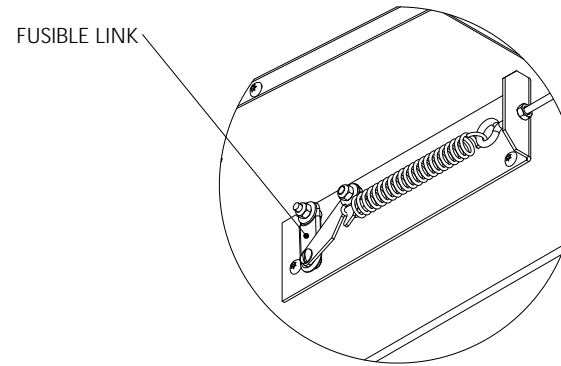
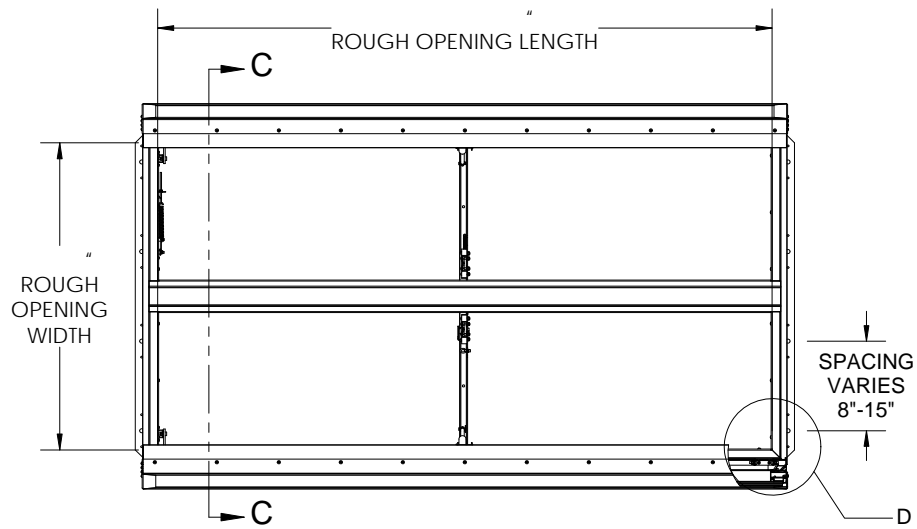
SMOKE VENT SIZE (WIDTH) x (LENGTH)

EFFECTIVE VENTING AREA 90% SQFT



PROPRIETARY AND CONFIDENTIAL: THE INFORMATION CONTAINED IN THIS DRAWING IS THE SOLE PROPERTY OF BABCOCK-DAVIS. ANY REPRODUCTION IN PART OR AS A WHOLE WITHOUT THE WRITTEN PERMISSION OF BABCOCK-DAVIS IS PROHIBITED.

PROJECT:					
ARCHITECT:					
CONTRACTOR:					
QTY:					
PART#:	BSVLB	X	D1N	R	
 <b>Babcock-Davis</b> <small>Always right there.</small> 9300 73rd Avenue North Brooklyn Park, MN 55428		TITLE: Smoke Vent, LightMAX Series Galvanneal, Dbl Dr, Single Wall Curb Non-Electrical			
		NAME	DATE	SIZE	DWG. NO.
DRAWN	-	05/04/11	A	BSVLB_X_D1N_R	-
RELEASED	DS	05/04/11	WEIGHT: VARIES		SHEET 1 OF 2



**SECTION C-C**

CONCRETE/WOOD/OTHER MATERIAL PROVIDED BY OTHER NIC

**SMOKE VENT COVER OPENS WHEN ACTIVATED BY:**

- A. THERMAL RELEASE MECHANISM:** RELEASED BY HEAT WITH A UL LISTED FUSIBLE LINK AT TEMPERATURE °F  
**OPTIONS:** 165 °F, 212 °F, 280 °F, 350 °F, 360 °F, 370 °F, 386 °F, 450 °F
- B. MANUAL OPENING:** RELEASED BY EXTERNAL AND INTERNAL PULL CABLES WITH HANDLES AND 5FT OF INTERNAL CABLE PROVIDED

**SMOKE VENT COVER CLOSED MANUALLY FROM ROOFTOP**

<p><b>Babcock-Davis</b> <i>Always right there.</i> 9300 73rd Avenue North Brooklyn Park, MN 55428</p>			TITLE: Smoke Vent, LightMAX Series Galvanneal, Dbl Dr, Single Wall Curb Non-Electrical		
			NAME	DATE	SIZE
DRAWN	-	05/04/11	A	BSVLB_X_D1N_R	-
RELEASED	DS	05/04/11	WEIGHT: VARIES		SHEET 2 OF 2