

SECTION A-A

SECTION B-B

SPECIFICATIONS:

- ① **COVER:** ALUMINUM EXTRUSION WITH 11GA ALUM RETAINER TO WITHSTAND A LIVE LOAD OF 40 PSF WITH A MAX DEFLECTION OF 1/150 OF THE SPAN
- ② **TRANSLUCENT MATERIAL:** POLYCARBONATE MULTI-WALL WHITE
- ③ **CURB AND COUNTERFLASH W/ EZ TAB:** 11 GAUGE ALUMINUM
- ④ **FINISH:** COVER- MILL
CURB- MILL
- ⑤ **GAS SPRING WITH DAMPER:** DESIGNED TO OPEN AGAINST A 10PSF SNOW LOAD IN NOT LESS THAN 2 SECONDS
- ⑥ **HOLD OPEN ARM:** LOCK COVER IN FULLY OPEN POSITION - ZINC PLATED STEEL
- ⑦ **LATCH:** ZINC PLATED ROTARY LATCH ASSEMBLY DESIGNED TO HOLD COVERS CLOSED AGAINST 90 PSF WIND UPLIFT ZINC PLATED STEEL LATCH STRIKERS ON COVERS

- ⑧ **HINGES:** ZINC PLATED STEEL WITH STAINLESS STEEL HINGE PINS
- ⑨ **INSULATION:** POLYISOCYANURATE IN COVER AND AROUND CURB PERIMETER, R-VALUE 6
- ⑩ **GASKET:** ADHESIVE BACKED EPDM RUBBER EXTRUSION
- ⑪ **THERMAL RELEASE MECHANISM:** VENT COVERS OPEN THERMALLY BY HEAT AT FUSIBLE LINK TEMPERATURE 177°F
- ⑫ **MANUAL OPENING:** VENT COVERS OPEN WITH INTERNAL AND EXTERNAL MANUAL PULL HANDLE, 1/16" DIA SST CABLE

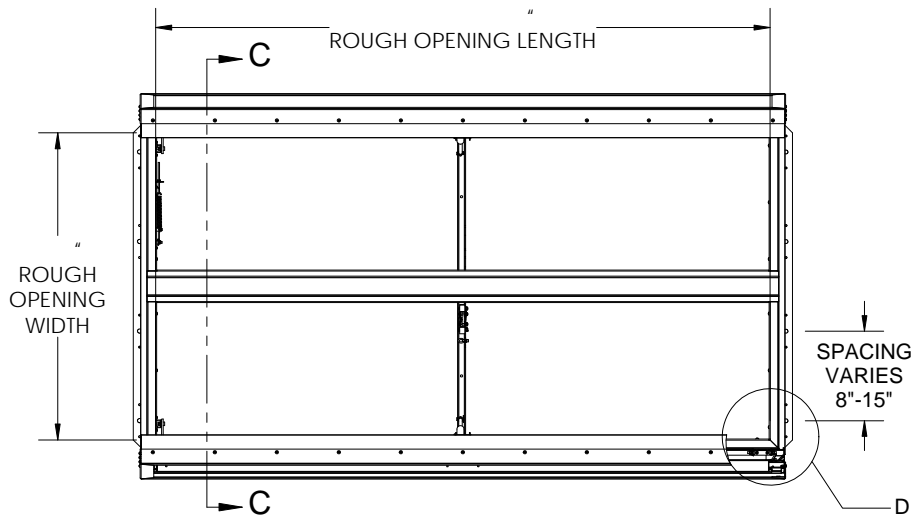
SMOKE VENT SIZE (WIDTH) x (LENGTH)

EFFECTIVE VENTING AREA , 0% SQFT

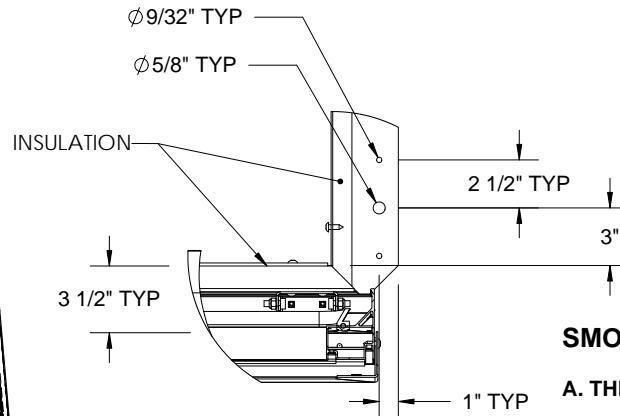
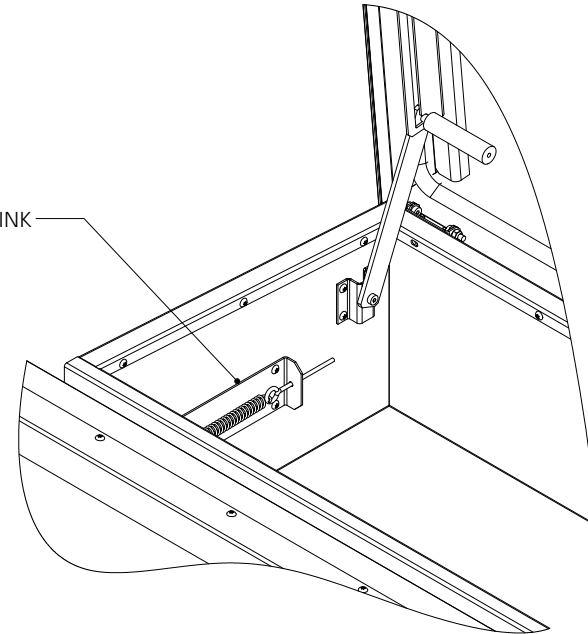


PROJECT:					
ARCHITECT:					
CONTRACTOR:					
QTY:					
PART#:	BSVLA	X	D1N R		
 9300 73rd Avenue North Brooklyn Park, MN 55428		TITLE: Smoke Vent, LightMAX Series Aluminum, Dbl Dr, Single Wall Curb Non-Electrical			
		NAME	DATE	SIZE	DWG. NO.
DRAWN	-	05/04/11	A	BSVLA_X_D1N_R	-
RELEASED	DS	05/04/11	WEIGHT: VARIES	SHEET 1 OF 2	

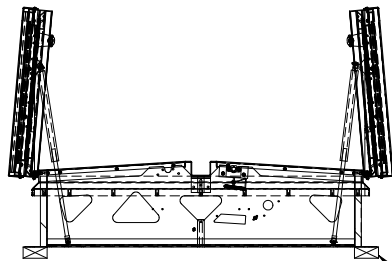
PROPRIETARY AND CONFIDENTIAL: THE INFORMATION CONTAINED IN THIS DRAWING IS THE SOLE PROPERTY OF BABCOCK-DAVIS. ANY REPRODUCTION IN PART OR AS A WHOLE WITHOUT THE WRITTEN PERMISSION OF BABCOCK-DAVIS IS PROHIBITED.



FUSIBLE LINK



DETAIL D



SECTION C-C

CONCRETE/WOOD/OTHER MATERIAL PROVIDED BY OTHER NIC

SMOKE VENT COVER OPENS WHEN ACTIVATED BY:

- A. THERMAL RELEASE MECHANISM:** RELEASED BY HEAT WITH A UL LISTED FUSIBLE LINK AT TEMPERATURE °F
- OPTIONS:** 165°F, 212°F, 280°F, 350°F, 360°F, 370°F, 386°F, 450°F
- B. MANUAL OPENING:** RELEASED BY EXTERNAL AND INTERNAL PULL CABLES WITH HANDLES AND 5FT OF INTERNAL CABLE PROVIDED

SMOKE VENT COVER CLOSED MANUALLY FROM ROOFTOP

<p>Babcock-Davis Always right there. 9300 73rd Avenue North Brooklyn Park, MN 55428</p>			TITLE: Smoke Vent, LightMAX Series Aluminum, Dbl Dr, Single Wall Curb Non-Electrical		
			NAME	DATE	SIZE
DRAWN	-	05/04/11	A	BSVLA_X_D1N_R	-
RELEASED	DS	05/04/11	WEIGHT: VARIES		SHEET 2 OF 2