

SECTION A-A

SPECIFICATIONS:

- ① **COVER:** 11 GAUGE ALUMINUM COVER STIFFENED TO WITHSTAND A LIVE LOAD OF 40 PSF WITH A MAX DEFLECTION OF 1/150 OF THE SPAN
- ② **LINER:** 18 GAUGE ALUMINUM
- ③ **CURB AND COUNTERFLASH W/ EZ TAB:** 11 GAUGE ALUMINUM
- 4 **FINISH:** COVER- MILL
CURB- MILL
- ⑤ **GAS SPRING WITH DAMPER:** DESIGNED TO OPEN AGAINST A 10PSF SNOW LOAD IN NOT LESS THAN 2 SECONDS
- ⑥ **HOLD OPEN ARM:** LOCK COVER IN FULLY OPEN POSITION - ZINC PLATED STEEL
- ⑦ **LATCH:** ZINC PLATED ROTARY LATCH ASSEMBLY DESIGNED TO HOLD COVERS CLOSED AGAINST 90 PSF WIND UPLIFT ZINC PLATED STEEL LATCH STRIKERS ON COVERS

- ⑧ **HINGES:** ZINC PLATED STEEL WITH STAINLESS STEEL HINGE PINS
- ⑨ **INSULATION:** 1" POLYISOCYANURATE IN COVER AND AROUND CURB PERIMETER, R-VALUE 6
- ⑩ **GASKET:** ADHESIVE BACKED EPDM RUBBER EXTRUSION
- ⑪ **THERMAL RELEASE MECHANISM:** VENT COVERS OPEN THERMALLY BY HEAT AT FUSIBLE LINK TEMPERATURE °F
- ⑫ **MANUAL OPENING:** VENT COVERS OPEN WITH INTERNAL AND EXTERNAL MANUAL PULL HANDLE, 1/16" DIA SST CABLE
- ⑬ **ELECTRICAL RELEASE:** VENT COVERS OPEN ELECTRICALLY WHEN ENERGIZED WITH

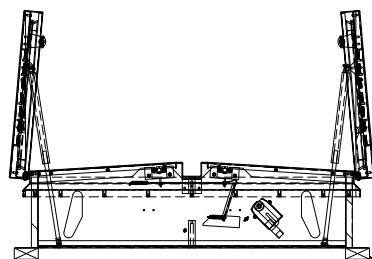
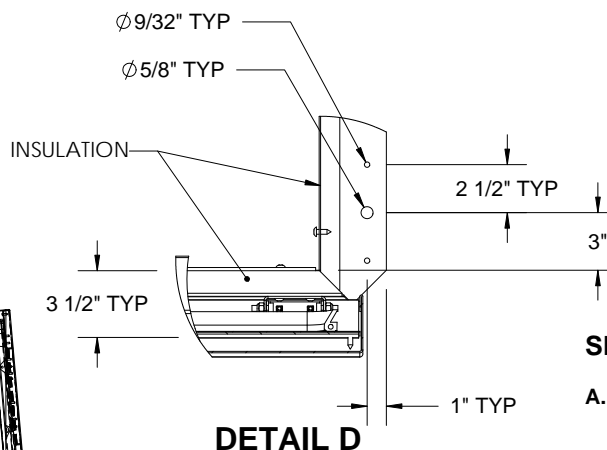
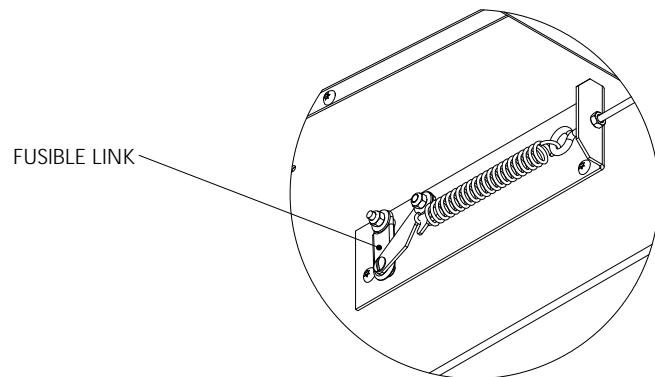
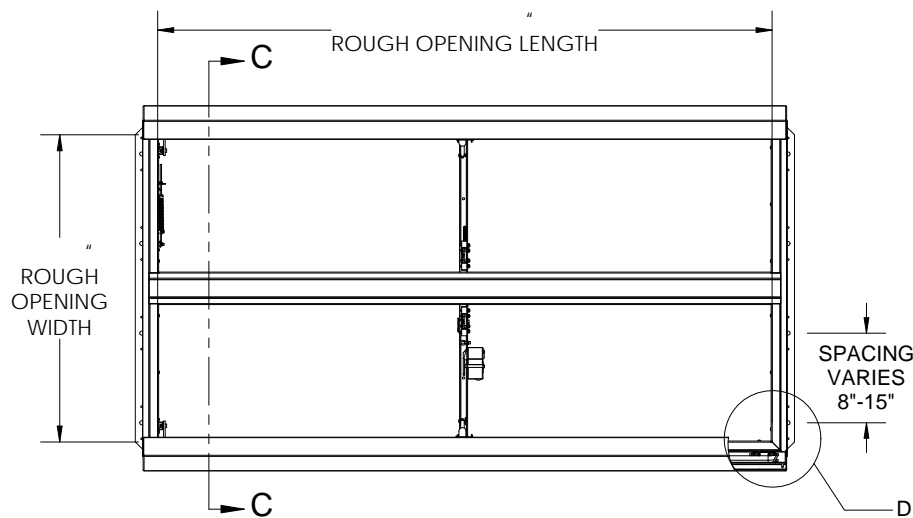
SMOKE VENT SIZE (WIDTH) x (LENGTH)

EFFECTIVE VENTING AREA 90% SQFT



PROPRIETARY AND CONFIDENTIAL: THE INFORMATION CONTAINED IN THIS DRAWING IS THE SOLE PROPERTY OF BABCOCK-DAVIS. ANY REPRODUCTION IN PART OR AS A WHOLE WITHOUT THE WRITTEN PERMISSION OF BABCOCK-DAVIS IS PROHIBITED.

PROJECT:					
ARCHITECT:					
CONTRACTOR:					
QTY:					
PART#:	BSVSA	X	D1 R		
 Babcock-Davis <small>Always right there.</small> 9300 73rd Avenue North Brooklyn Park, MN 55428		TITLE: Smoke Vent, SafeMAX Series Aluminum, Dbl Dr, Single Wall Curb Electrical			
		NAME	DATE	SIZE	DWG. NO.
DRAWN	-	05/04/11	A	BSVSA_X_D1__R	-
RELEASED	DS	05/04/11	WEIGHT: VARIES		SHEET 1 OF 2



SECTION C-C

CONCRETE/WOOD/OTHER MATERIAL PROVIDED BY OTHER NIC

SMOKE VENT COVER OPENS WHEN ACTIVATED BY:

A. THERMAL RELEASE MECHANISM: RELEASED BY HEAT WITH A UL LISTED FUSIBLE LINK AT TEMPERATURE °F

OPTIONS: 165 °F, 212 °F, 280 °F, 350 °F, 360 °F, 370 °F, 386 °F, 450 °F

B. MANUAL OPENING: RELEASED BY EXTERNAL AND INTERNAL PULL CABLES WITH HANDLES AND 5FT OF INTERNAL CABLE PROVIDED

C. ELECTRICAL RELEASE: RELEASED BY A 2.5 WATT UL LISTED ROTARY ACTUATOR WHEN ENERGIZED TO

SMOKE VENT COVER CLOSED MANUALLY FROM ROOFTOP

Babcock-Davis
Always right there.
 9300 73rd Avenue North
 Brooklyn Park, MN 55428

TITLE: Smoke Vent, SafeMAX Series
 Aluminum, Dbl Dr, Single Wall Curb
 Electrical

	NAME	DATE	SIZE	DWG. NO.	REV
DRAWN	-	05/04/11	A	BSVSA_X_D1__R	-
RELEASED	DS	05/04/11	WEIGHT: VARIES		SHEET 2 OF 2