

SECTION B-B

SPECIFICATIONS:

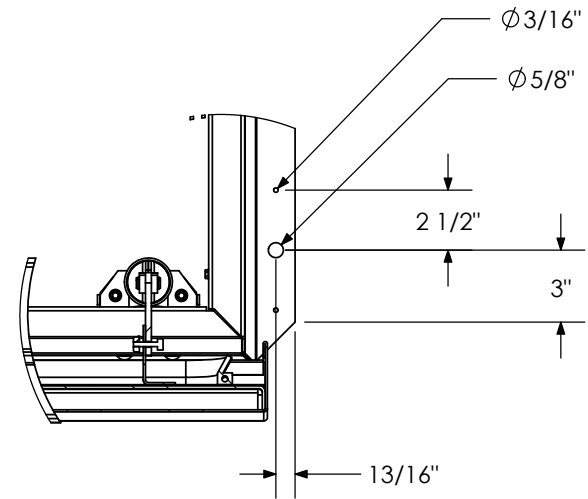
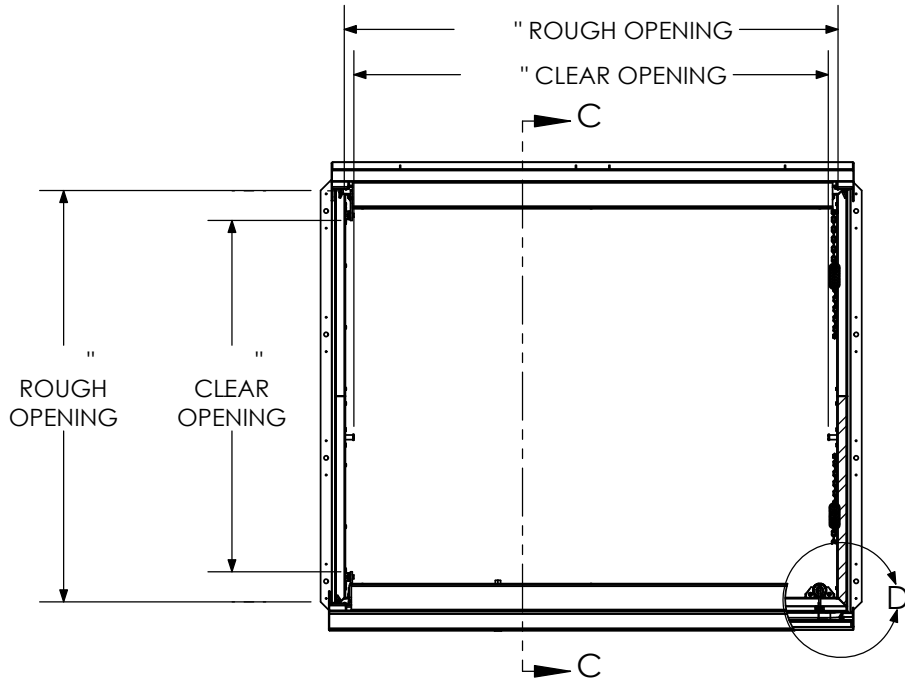
- ① COVER: 11 GA ALUM COVER STIFFENED TO WITHSTAND A LIVE LOAD OF 40PSF WITH A MAX DEFLECTION OF 1/150 OF THE SPAN
- ② LINER: 18 GA ALUM
- ③ CURB AND COUNTERFLASH W/ EZ TAB: 11 GA ALUM
- ④ FINISH: MILL FINISH
- ⑤ SPRING/HINGE ASSEMBLY: ZINC PLATED STEEL TAMPER-PROOF HINGE CONTAINED WITHIN SPRING/HINGE ASSEMBLY. TELESCOPIC TUBES CONTAIN COIL STEEL COMPRESSION SPRINGS FOR LIFT ASSISTANCE
- ⑥ HOLD OPEN ARM: LOCKS COVER IN FULLY OPEN POSITION ZINC PLATED STEEL WITH RED VINYL GRIP HANDLE PULL RELEASE
- ⑦ LATCH: 2 POINT ROTARY LATCH LATCH HOLDS COVER CLOSED AGAINST 20PSF WIND UPLIFT. INTERNAL AND EXTERNAL TURN HANDLES WITH PADLOCK HASPS

- ⑧ INSULATION: 1" POLYSTYRENE (R4) IN COVER, AND 1" FIBERBOARD (R2.8) IN CURB
- ⑨ GASKET: ADHESIVE BACKED EPDM RUBBER EXTRUSION
- ⑩ WIDTH DIMENSION IS MEASURED HINGE TO HINGE LENGTH DIMENSION IS MEASURED HINGED SIDE

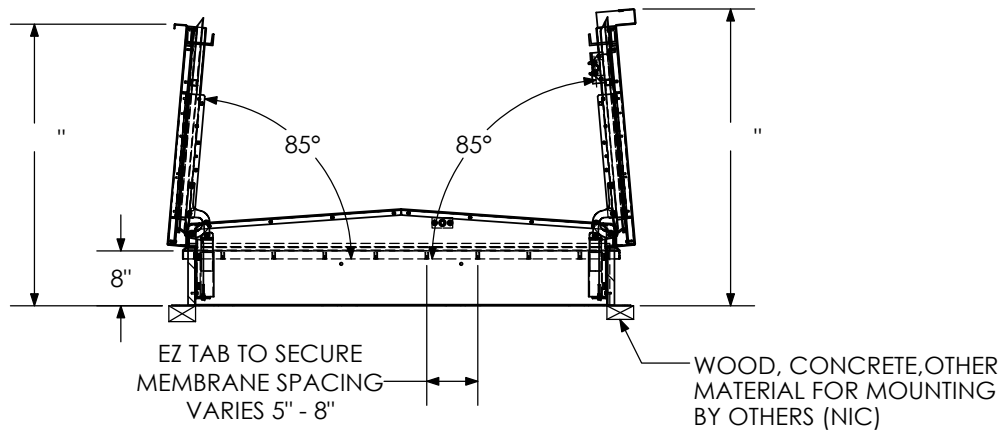
ROOF HATCH SIZE	" (WIDTH) x	" (LENGTH)
CLEAR OPENING	" (WIDTH) x	" (LENGTH)
ROUGH OPENING	" (WIDTH) x	" (LENGTH)

PROJECT:											
ARCHITECT:											
CONTRACTOR:											
QTY:											
PART#:											
<p>Babcock-Davis Always right there. 9300 73rd Avenue North Brooklyn Park, MN 55428</p>	TITLE: Roof Hatch, Equipment Access, Dbl Dr. Zinc Hdw, Alum, Mill, Sngl Wall Curb,										
	<table border="1"> <tr> <th>NAME</th> <th>DATE</th> <th>SIZE</th> <th>DWG. NO.</th> <th>REV</th> </tr> <tr> <td>ELW</td> <td>9/14/12</td> <td>A</td> <td></td> <td>A</td> </tr> </table>	NAME	DATE	SIZE	DWG. NO.	REV	ELW	9/14/12	A		A
NAME	DATE	SIZE	DWG. NO.	REV							
ELW	9/14/12	A		A							
RELEASED	-	-	WEIGHT: VARIES	SHEET 1 OF 2							

PROPRIETARY AND CONFIDENTIAL: THE INFORMATION CONTAINED IN THIS DRAWING IS THE SOLE PROPERTY OF BABCOCK-DAVIS. ANY REPRODUCTION IN PART OR AS A WHOLE WITHOUT THE WRITTEN PERMISSION OF BABCOCK-DAVIS IS PROHIBITED.



DETAIL D



SECTION C-C

<p>Babcock-Davis <i>Always right there.</i> 9300 73rd Avenue North Brooklyn Park, MN 55428</p>				TITLE: Roof Hatch, Equipment Access, Dbl Dr, Zinc Hdw, Alum, Mill, Sngl Wall Curb,	
				NAME	DATE
DRAWN	ELW	9/14/12	A		A
RELEASED	-	-	WEIGHT: VARIES		SHEET 2 OF 2