

8

7

6

5

4

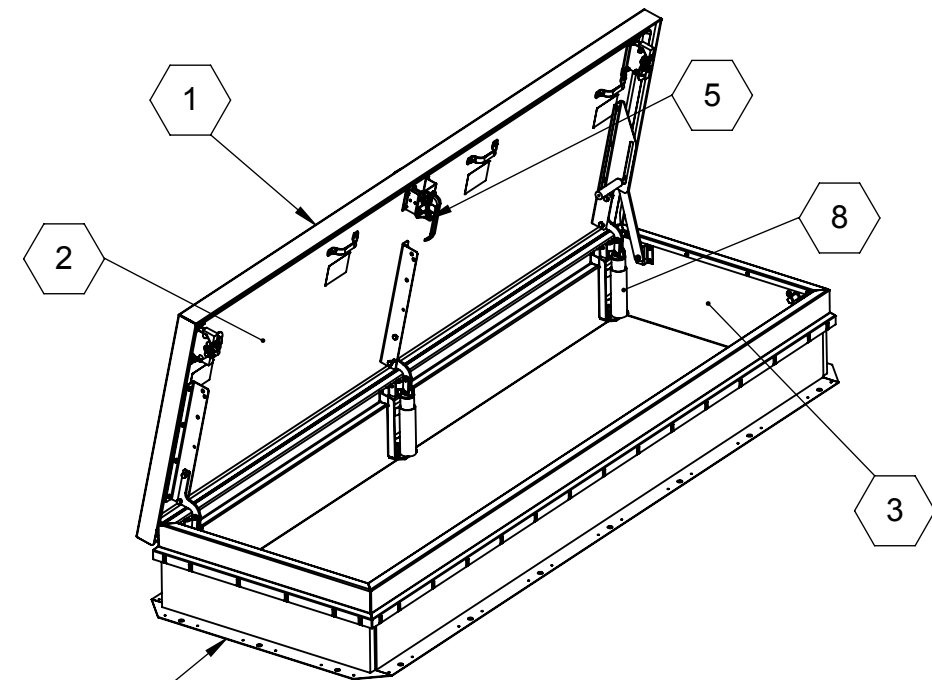
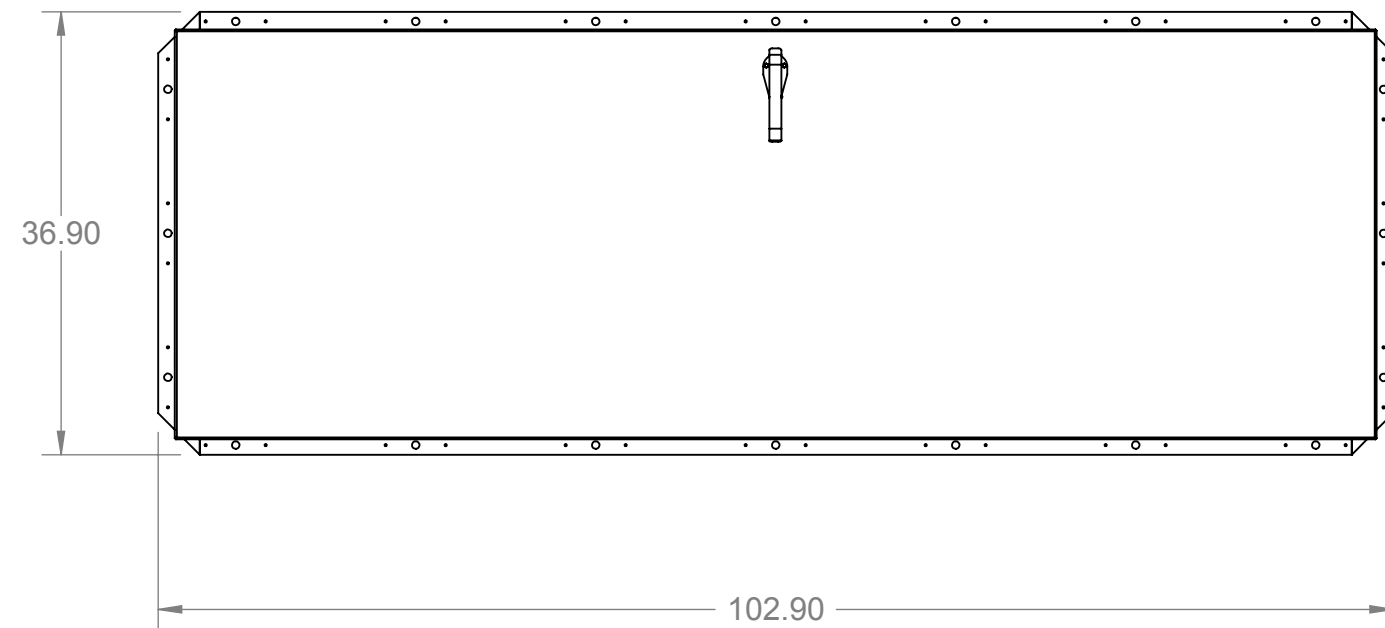
3

2

1

D

D

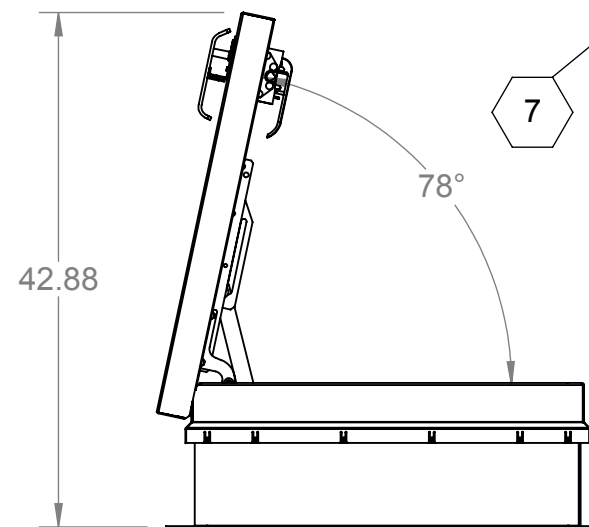
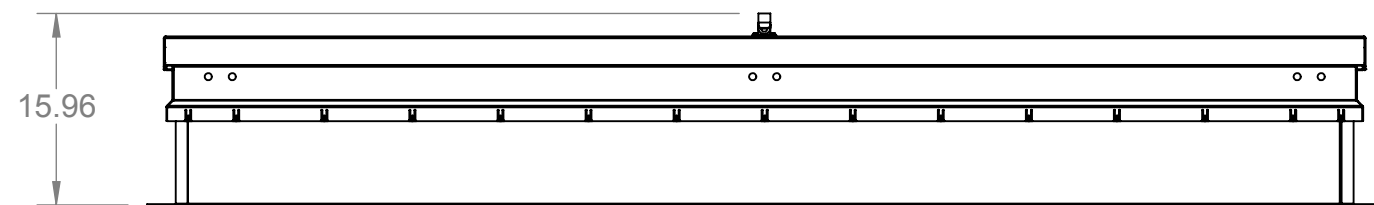


C

C

B

B



① COVER - 14 GAUGE GALVANIZED STEEL COVER STIFFENED TO WITHSTAND A LIVE LOAD OF 40 PSF WITH A MAX DEFLECTION OF 1/150 OF THE SPAN. COVER WITHSTANDS A MAX WIND UPLIFT OF 20 PSF.

⑥ INSULATION - 1" THICK IN COVER AND 1" THICK ON CURB PERIMETER

⑦ MOUNTING FLANGE - 3.50 INCHES

⑧ HINGE - ZINC PLATED STEEL TAMPER PROOF HINGE CONTAINED WITHIN HATCH AS PART OF SPRING ASSEMBLY

9. SPRING - GREASED HEAVY DUTY COMPRESSION SPRING.

10. FINISH - RED OXIDE POWDER COAT

11. CURB OPENING - 30 X 96 INCHES MEASURE INSIDE CURB TO INSIDE CURB

② LINER - 22 GAUGE GALVANIZED STEEL

③ CURB - 14 GAUGE GALVANIZED STEEL

4. HARDWARE - ZINC PLATED STEEL

⑤ LATCH - 2 POINT LATCHING WITH PROVISION FOR PADLOCK SECURITY

### BRHPG30X96S1T

**Babcock-Davis**  
*Always right there.*  
 9300 73rd Avenue North  
 Brooklyn Park, MN 55428

TITLE: Roof Hatch, Personnel Access,  
 30x96, Sngl Dr,  
 Galvn Steel, Red Oxide Pwd, Sngl Wall Curb,

	NAME	DATE	SIZE	DWG. NO.	REV
DRAWN	DWO	10/1/09	<b>B</b>	BRHPG30X96S1T	<b>A</b>
RELEASED	DWO	10/1/09	WEIGHT: 395.14		SHEET 22 OF 23

PROPRIETARY AND CONFIDENTIAL: THE INFORMATION CONTAINED IN THIS DRAWING IS THE SOLE PROPERTY OF BABCOCK-DAVIS. ANY REPRODUCTION IN PART OR AS A WHOLE WITHOUT THE WRITTEN PERMISSION OF BABCOCK-DAVIS IS PROHIBITED.

8

7

6

5

4

3

2

1

A

8

7

6

5

4

3

2

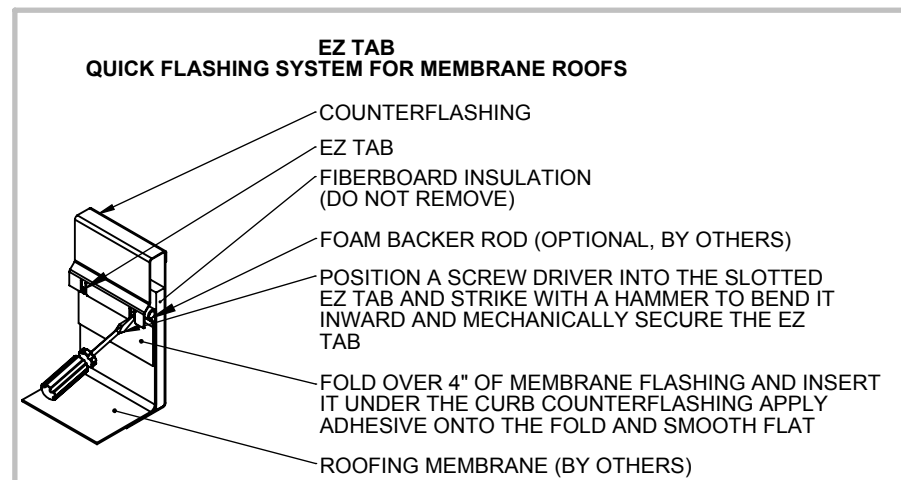
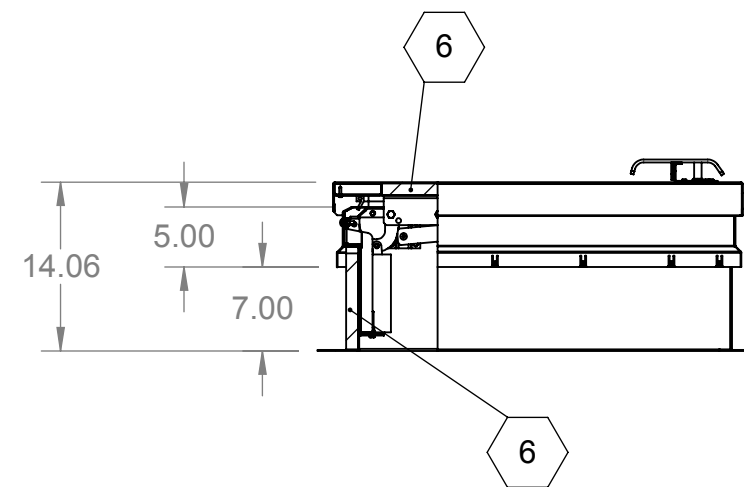
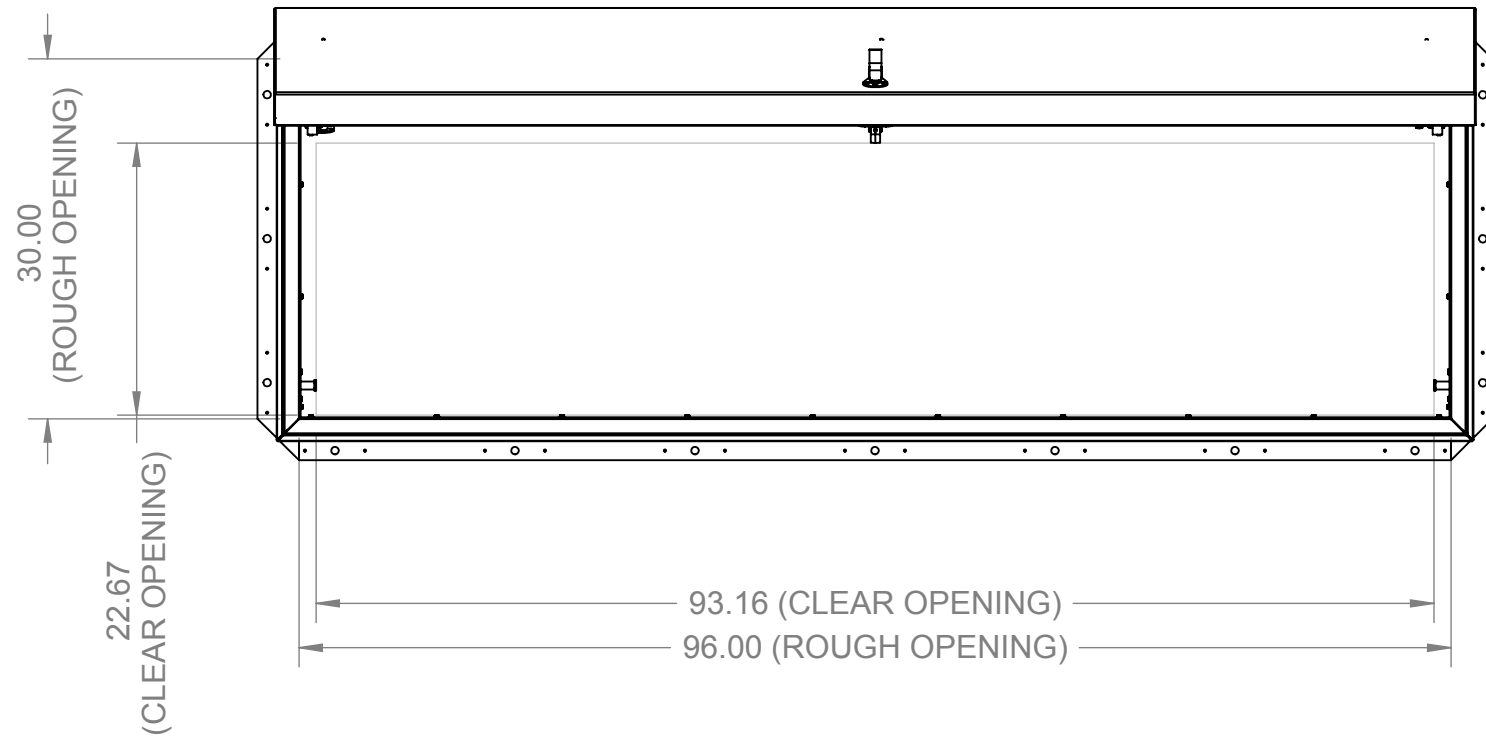
1

D

C

B

A



**RH EZ TAB DETAIL ASSEMBLY**

**Babcock-Davis**  
*Always right there.*  
 9300 73rd Avenue North  
 Brooklyn Park, MN 55428

TITLE: Roof Hatch, Personnel Access,  
 30x96, Sngl Dr,  
 Galvn Steel, Red Oxide Pwd, Sngl Wall Curb,

	NAME	DATE	SIZE	DWG. NO.	REV
DRAWN	-	-	<b>B</b>	<b>BRHPG30X96S1T</b>	<b>A</b>
RELEASED	-	-	WEIGHT: 5.83	SHEET 23 OF 23	

PROPRIETARY AND CONFIDENTIAL: THE INFORMATION CONTAINED IN THIS DRAWING IS THE SOLE PROPERTY OF BABCOCK-DAVIS. ANY REPRODUCTION IN PART OR AS A WHOLE WITHOUT THE WRITTEN PERMISSION OF BABCOCK-DAVIS IS PROHIBITED.

8

7

6

5

4

3

2

1

D

C

B

A