

**SPECIFICATIONS:**

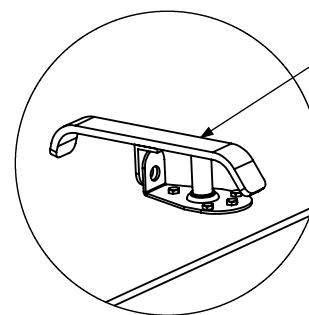
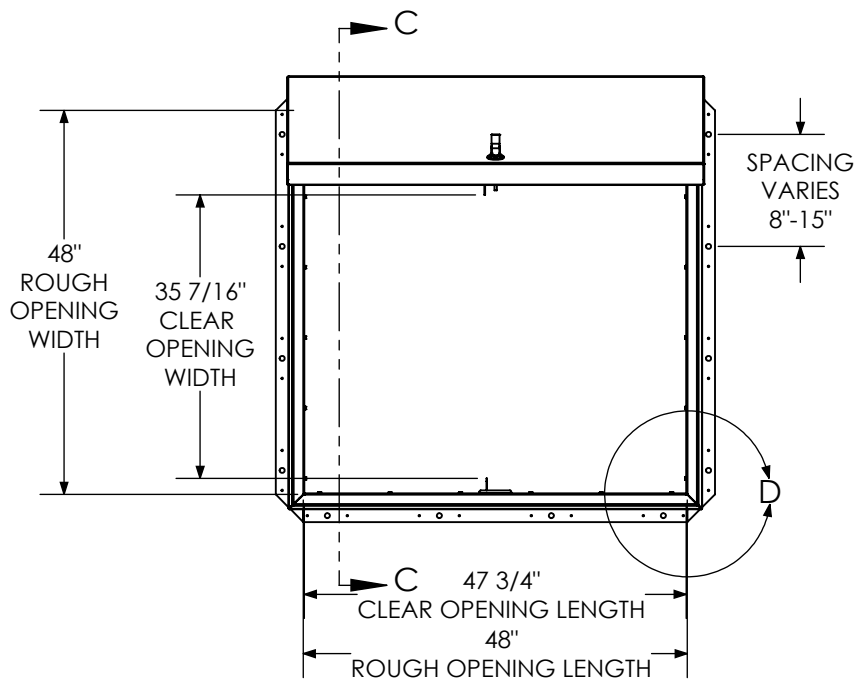
- ① **COVER:** 14 GA GALV STEEL COVER STIFFENED TO WITHSTAND A LIVE LOAD OF 40PSF WITH A MAX DEFLECTION OF 1/150 OF THE SPAN
- ② **LINER:** 22 GA GALV STEEL
- ③ **CURB AND COUNTERFLASH W/ EZ TAB:** 14 GA GALV STEEL
- 4 **FINISH:** RED OXIDE POWDER COAT
- ⑤ **SPRING/HINGE ASSEMBLY:** ZINC PLATED STEEL TAMPER-PROOF HINGE CONTAINED WITHIN SPRING/HINGE ASSEMBLY. TELESCOPIC TUBES CONTAIN COIL STEEL COMPRESSION SPRINGS FOR LIFT ASSISTANCE
- ⑥ **HOLD OPEN ARM:** LOCKS COVER IN FULLY OPEN POSITION - ZINC PLATED STEEL WITH RED VINYL GRIP HANDLE PULL RELEASE
- ⑦ **LATCH:** SINGLE POINT LATCH SLAM LATCH HOLDS COVER CLOSED AGAINST 20 PSF WIND UPLIFT. INTERNAL AND EXTERNAL TURN HANDLES WITH PADLOCK HASPS

- ⑧ **INSULATION:** 1" POLYSTYRENE (R4) IN COVER, AND 1" FIBERBOARD (R2.8) IN CURB
- ⑨ **GASKET:** ADHESIVE BACKED EPDM RUBBER EXTRUSION
- 10 **SIZING:** WIDTH X LENGTH DIMENSIONS ARE MEASURED INSIDE CURB TO INSIDE CURB WHERE THE WIDTH IS HINGE TO LATCH AND LENGTH IS HINGED SIDE WITH SPRINGS

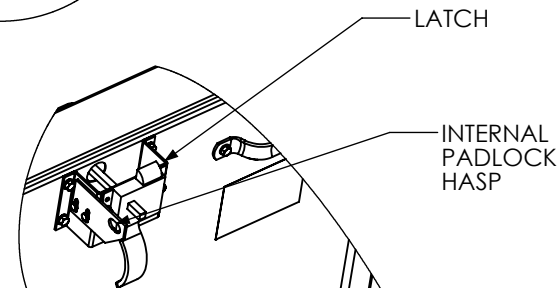
**ROOF HATCH SIZE** 48" (WIDTH) x 48" (LENGTH)  
**CLEAR OPENING** 35.4" (WIDTH) x 46" (LENGTH)  
**ROUGH OPENING** 48" (WIDTH) x 48" (LENGTH)

PROPRIETARY AND CONFIDENTIAL: THE INFORMATION CONTAINED IN THIS DRAWING IS THE SOLE PROPERTY OF BABCOCK-DAVIS. ANY REPRODUCTION IN PART OR AS A WHOLE WITHOUT THE WRITTEN PERMISSION OF BABCOCK-DAVIS IS PROHIBITED.

PROJECT:					
ARCHITECT:					
CONTRACTOR:					
QTY:					
PART#:		BRHPG48X48S1T			
 9300 73rd Avenue North Brooklyn Park, MN 55428		TITLE: Roof Hatch, Personnel Access, 48x48, Sngl Dr, Galvn Steel, Red Oxide Pwd, Sngl Wall Curb,			
		NAME	DATE	SIZE	DWG. NO.
DRAWN	DWO	9/10/12	A	BRHPG48X48S1T	A
RELEASED	-	-	WEIGHT: 310.4		SHEET 1 OF 2

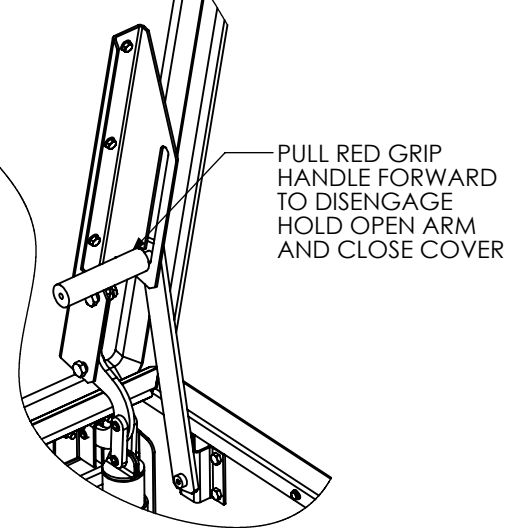


EXTERNAL TURN HANDLE WITH PADLOCK HASP



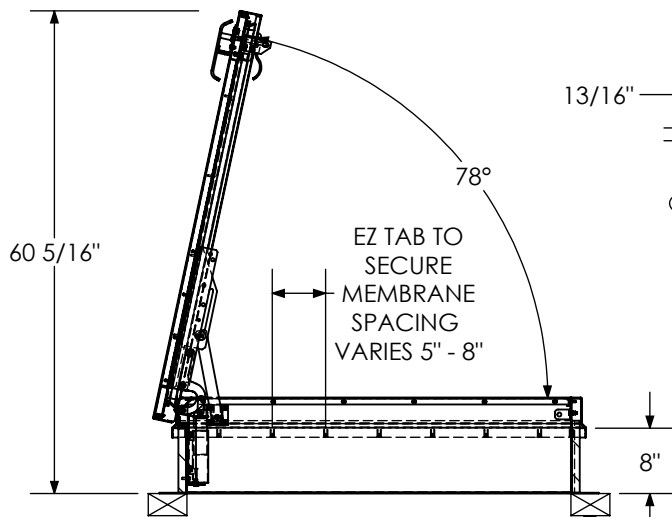
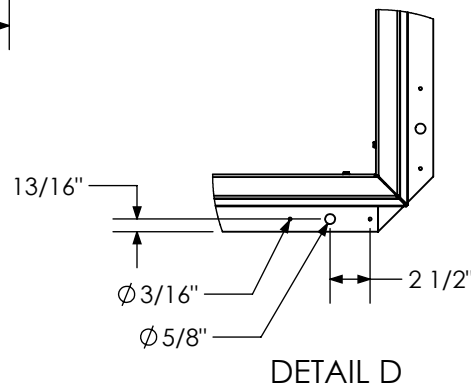
LATCH

INTERNAL PADLOCK HASP



PULL RED GRIP HANDLE FORWARD TO DISENGAGE HOLD OPEN ARM AND CLOSE COVER

HARDWARE DETAILS



SECTION C-C

WOOD, CONCRETE, OTHER MATERIAL FOR MOUNTING BY OTHERS (NIC)

PROPRIETARY AND CONFIDENTIAL: THE INFORMATION CONTAINED IN THIS DRAWING IS THE SOLE PROPERTY OF BABCOCK-DAVIS. ANY REPRODUCTION IN PART OR AS A WHOLE WITHOUT THE WRITTEN PERMISSION OF BABCOCK-DAVIS IS PROHIBITED.

<p><b>Babcock-Davis</b>  <small>Always right there.</small>        9300 73rd Avenue North        Brooklyn Park, MN 55428</p>			TITLE: Roof Hatch, Personnel Access, 48x48, Sngl Dr, Galvn Steel, Red Oxide Pwd, Sngl Wall Curb,		
NAME	DATE	SIZE	DWG. NO.	REV	
DRAWN DWO	9/10/12	A	BRHPG48X48S1T	A	
RELEASED	-	-	WEIGHT: 310.4	SHEET 2 OF 2	