



**SPECIFICATIONS:**

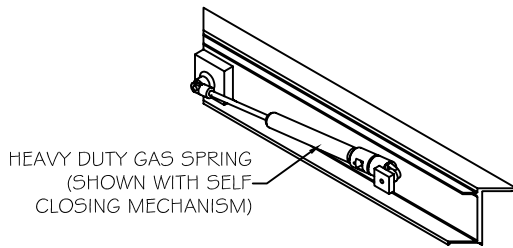
- TESTED TO NFPA 288 (FORMERLY UNDER ASTM E-119)
- WARNOCK HERSEY LISTED FOR 2 HOUR RATING
- OPEN ASSIST BALANCED TO REQUIRE NO MORE THAN 30 LBS OF OPENING FORCE
- DOOR STIFFENED TO SUPPORT 150 LBS LIVE LOAD CAPACITY WITH LESS THAN 1/160 DEFLECTION OVER THE TOTAL SPAN

**OPTIONS:**

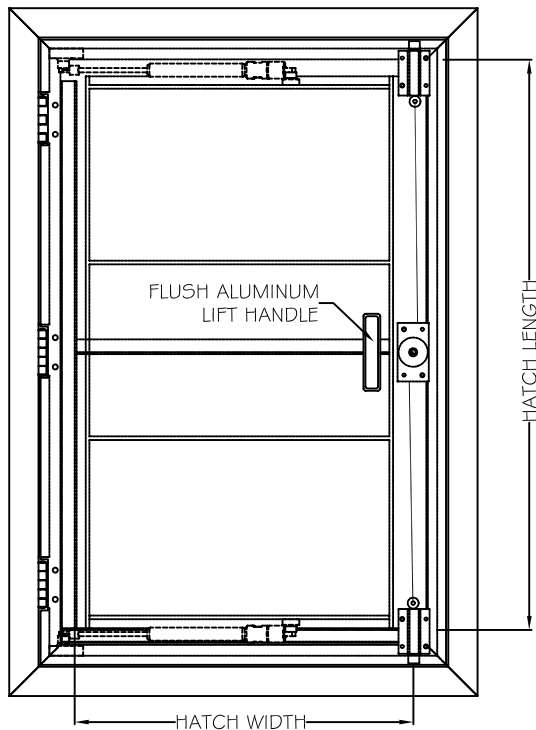
SELF CLOSING DEVICE TO MEET NFPA 80  
CLEAR ANODIZED

**CLEAR OPENING:**

WIDTH: WIDTH - 1.5  
LENGTH: LENGTH



HEAVY DUTY GAS SPRING  
(SHOWN WITH SELF-CLOSING MECHANISM)

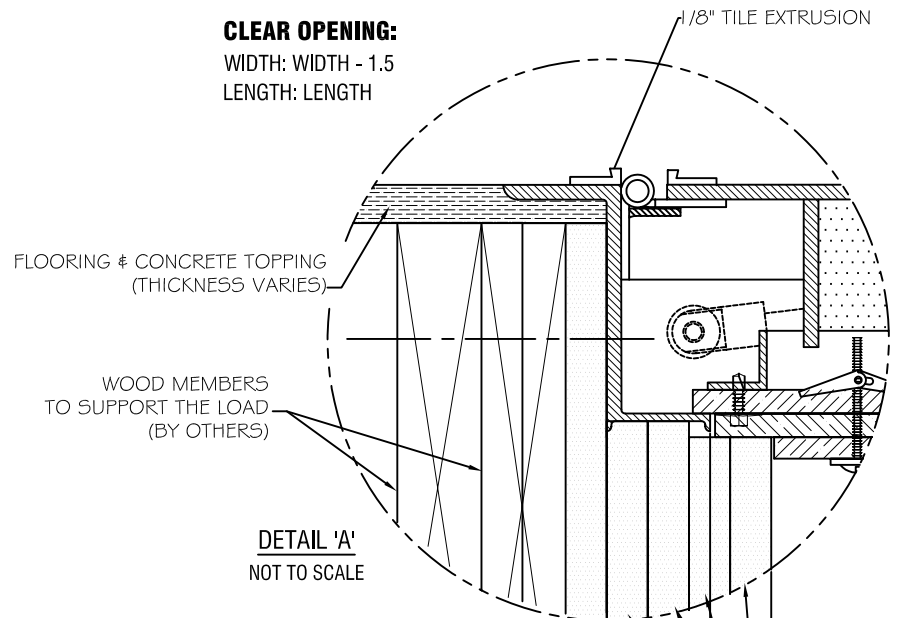


FLUSH ALUMINUM  
LIFT HANDLE

HATCH LENGTH

HATCH WIDTH

PLAN VIEW  
NOT TO SCALE



1/8" TILE EXTRUSION

FLOORING & CONCRETE TOPPING  
(THICKNESS VARIES)

WOOD MEMBERS  
TO SUPPORT THE LOAD  
(BY OTHERS)

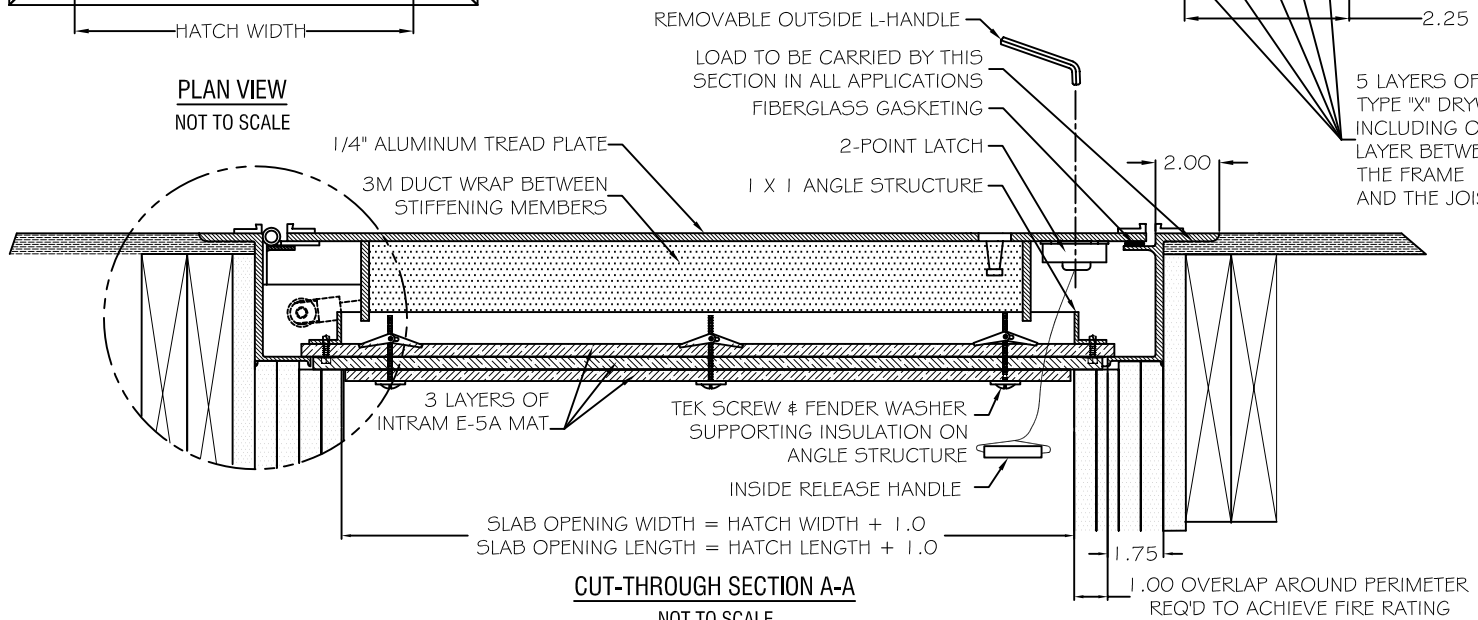
DETAIL 'A'  
NOT TO SCALE

1.75

2.25

REMOVABLE OUTSIDE L-HANDLE  
LOAD TO BE CARRIED BY THIS  
SECTION IN ALL APPLICATIONS  
FIBERGLASS GASKETING

5 LAYERS OF 5/8"  
TYPE "X" DRYWALL  
INCLUDING ONE  
LAYER BETWEEN  
THE FRAME  
AND THE JOIST



1/4" ALUMINUM TREAD PLATE

3M DUCT WRAP BETWEEN  
STIFFENING MEMBERS

2-POINT LATCH

1 X 1 ANGLE STRUCTURE

2.00

3 LAYERS OF  
INTRAM E-5A MAT

TEK SCREW & FENDER WASHER  
SUPPORTING INSULATION ON  
ANGLE STRUCTURE

INSIDE RELEASE HANDLE

SLAB OPENING WIDTH = HATCH WIDTH + 1.0

SLAB OPENING LENGTH = HATCH LENGTH + 1.0

1.75

1.00 OVERLAP AROUND PERIMETER  
REQ'D TO ACHIEVE FIRE RATING

CUT-THROUGH SECTION A-A

NOT TO SCALE

## ANGLE FRAME - ALUMINUM INSULATED FIRE RATED FLOOR HATCH – 2 HOUR

### Standard Features:

<b>Door:</b>	¼" aluminum diamond tread plate with recess to accommodate 1/8" floor material
<b>Frame:</b>	¼" extruded aluminum angle frame
<b>Hinge:</b>	Type 316 stainless steel butt hinge
<b>Latch:</b>	Type 316 stainless steel 2-point latch with inside pull handle and outside removable T-handle.
<b>Finish:</b>	Mill finish. Frames provided with protective epoxy coating at areas that contact concrete.
<b>Spring:</b>	Type 316 stainless steel gas springs, which restrains door in 90° open position and allows close by gravity
<b>Load Capacity:</b>	150 psf
<b>LISTING:</b>	Sizes up to and including 48 X 60 are rated for two hours. NFPA 288 (maximum temperature rise to 250°F)

### Specifications:

Door leaf shall be ¼" (6.35mm) aluminum diamond plate reinforced to withstand a live load of 150 lb/sq. ft. Angle frame shall be extruded aluminum with integral masonry anchor straps. Door shall be equipped with stainless steel hardware throughout. Counterbalance gas springs shall be stainless steel and provide for smooth, easy and controlled operation. This door shall automatically hold open to 90 degrees. A 2-point latch shall be equipped with inside pull handle and outside removable turn handle, fastened to the door with Type 316 stainless steel tamper resistant bolts. A fiberglass gasket strip shall be applied to all door stops.

Six (6) inch concrete slab, or five layers of 5/8" Type "x" drywall including one layer between frame and joist are Required to achieve fire rating.

Door and frame shall be mill finish with protective coating epoxy applied to all surfaces that will come in contact with concrete. Installation shall be in accordance with manufacturer's instructions. Manufacturer shall guarantee against defects in material and workmanship for a period of five years.

### Application Note:

Hatch must be kept dry before, during, and after installation. Never install product in exterior environments. Do not install product in interior environments containing high levels of humidity.

