



SPECIFICATIONS:

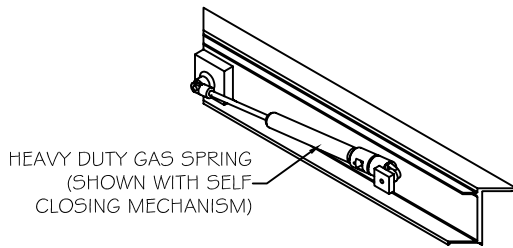
- TESTED TO NFPA 288 (FORMERLY UNDER ASTM E-119)
- WARNOCK HERSEY LISTED FOR 2 HOUR RATING
- OPEN ASSIST BALANCED TO REQUIRE NO MORE THAN 30 LBS OF OPENING FORCE
- DOOR STIFFENED TO SUPPORT 150 LBS LIVE LOAD CAPACITY WITH LESS THAN 1/160 DEFLECTION OVER THE TOTAL SPAN

OPTIONS:

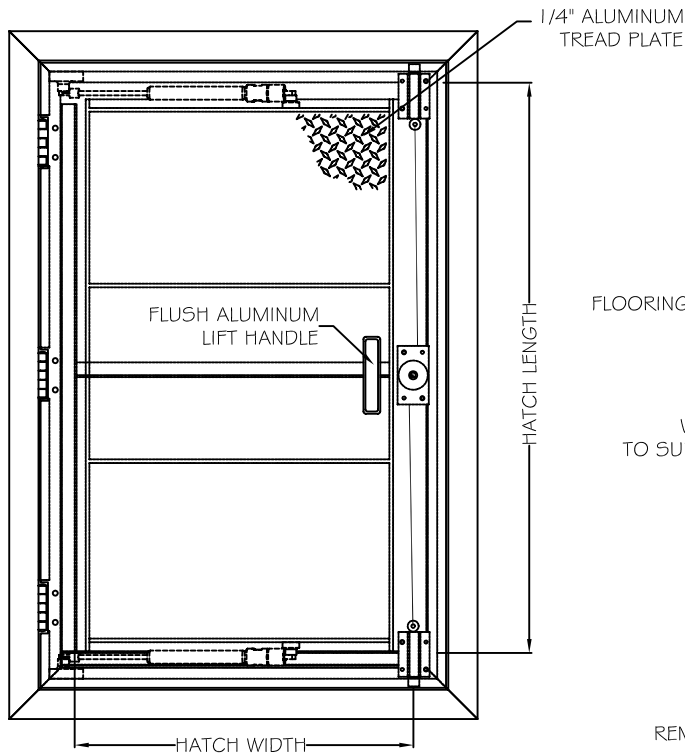
SELF CLOSING DEVICE TO MEET NFPA 80
CLEAR ANODIZED

CLEAR OPENING:

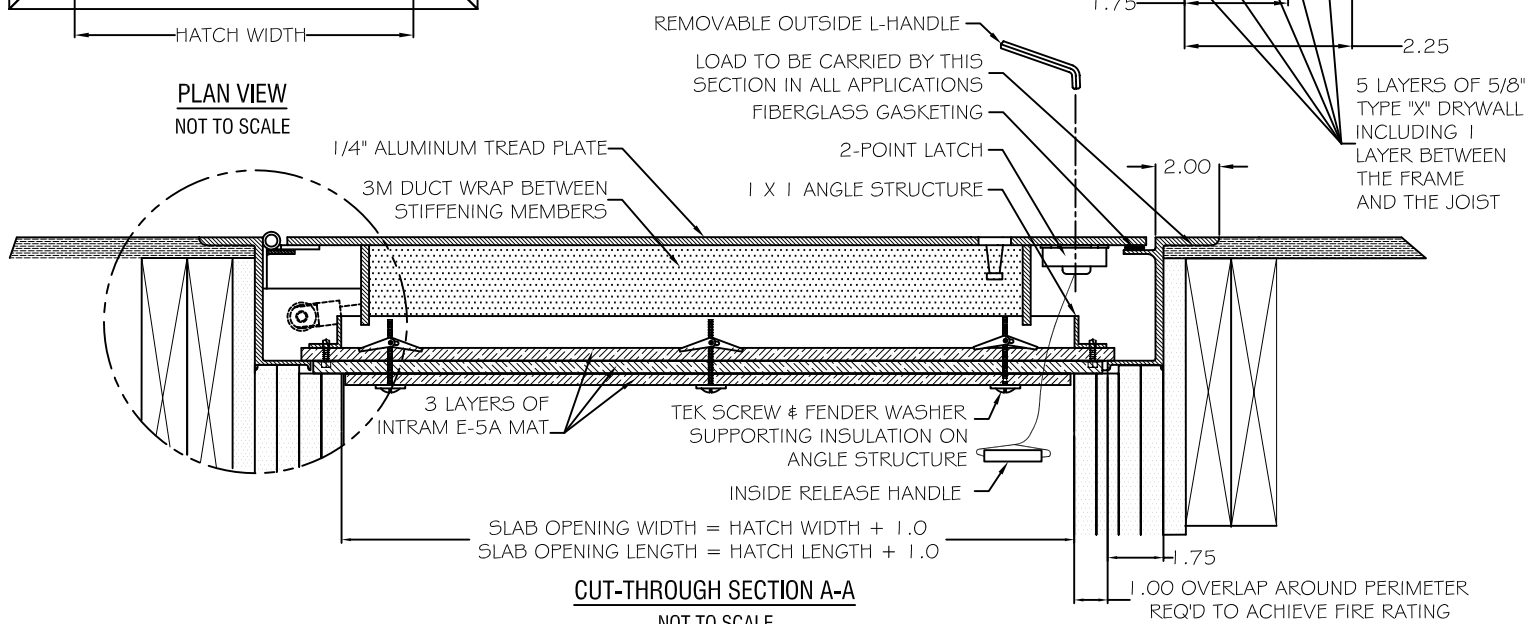
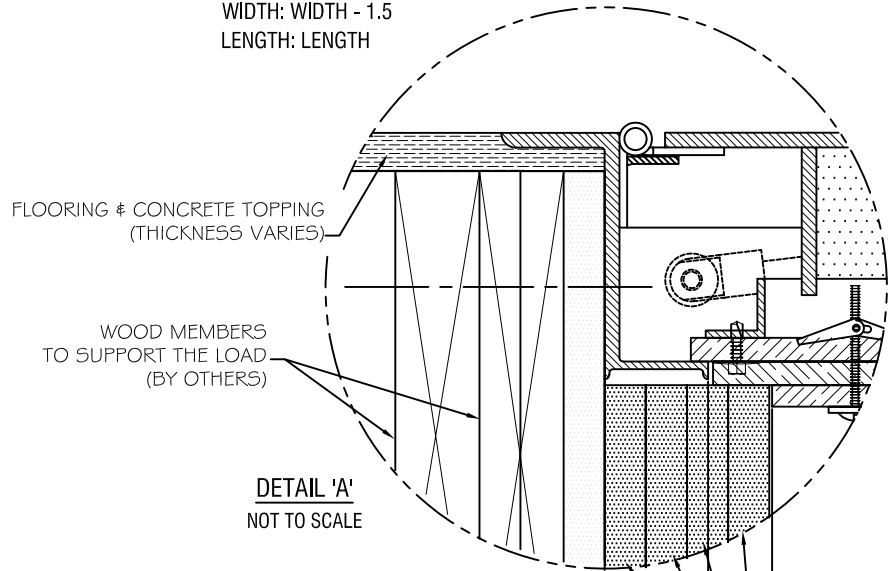
WIDTH: WIDTH - 1.5
LENGTH: LENGTH



HEAVY DUTY GAS SPRING
(SHOWN WITH SELF-CLOSING MECHANISM)



PLAN VIEW
NOT TO SCALE



ANGLE FRAME - ALUMINUM INSULATED FIRE RATED FLOOR HATCH – 2 HOUR

Standard Features:

Door:	¼" aluminum diamond tread plate
Frame:	¼" extruded aluminum angle frame
Hinge:	Type 316 stainless steel butt hinge
Latch:	Type 316 stainless steel 2-point latch with inside pull handle and outside removable T-handle.
Finish:	Mill finish. Frames provided with protective epoxy coating at areas that contact concrete.
Spring:	Type 316 stainless steel gas springs, which restrains door in 90° open position and allows close by gravity
Load Capacity:	150 psf
LISTING:	Sizes up to and including 48 X 60 are rated for two hours. NFPA 288 (maximum temperature rise to 250°F)

Specifications:

Door leaf shall be ¼" (6.35mm) aluminum diamond plate reinforced to withstand a live load of 150 lb/sq. ft. Angle frame shall be extruded aluminum with integral masonry anchor straps. Door shall be equipped with stainless steel hardware throughout. Counterbalance gas springs shall be stainless steel and provide for smooth, easy and controlled operation. This door shall automatically hold open to 90 degrees. A 2-point latch shall be equipped with inside pull handle and outside removable turn handle, fastened to the door with Type 316 stainless steel tamper resistant bolts. A fiberglass gasket strip shall be applied to all door stops.

Six (6) inch slab required to achieve fire rating.

Door and frame shall be mill finish with protective coating epoxy applied to all surfaces that will come in contact with concrete. Installation shall be in accordance with manufacturer's instructions. Manufacturer shall guarantee against defects in material and workmanship for a period of five years.

Application Note:

Hatch must be kept dry before, during, and after installation. Never install product in exterior environments. Do not install product in interior environments containing high levels of humidity.

