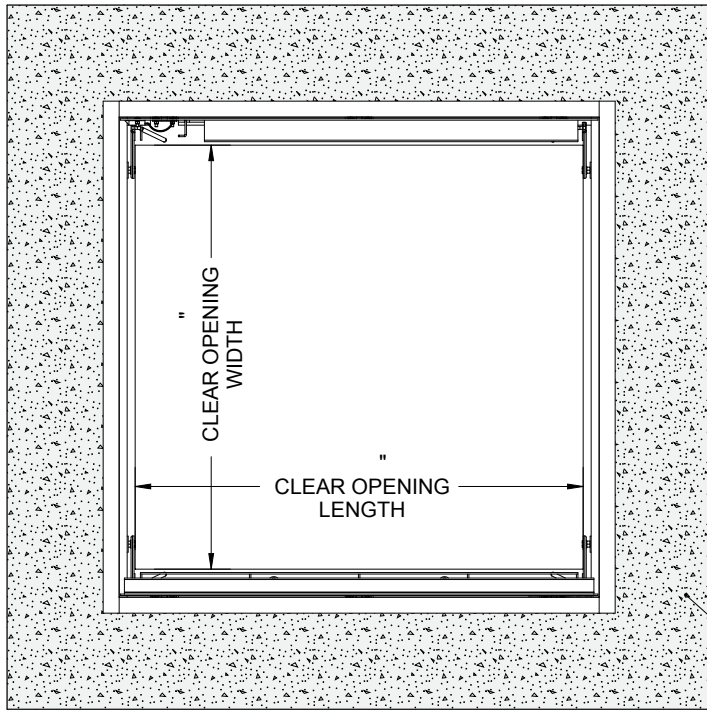


**SPECIFICATIONS:**

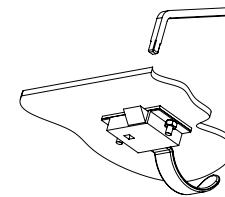
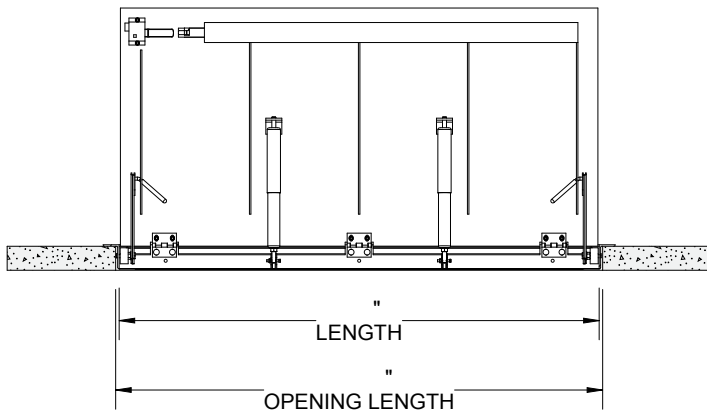
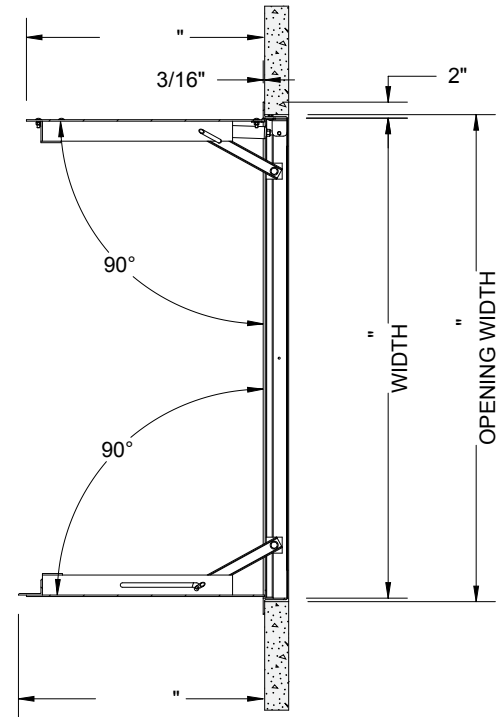
- ① **DOOR:** STEEL, 3/16" DIAMOND PLATE, GRAY PRIMER COAT WITH A LIVE LOAD OF 300 PSF WITH A MAXIMUM DEFLECTION OF L/160,
  - ② **FRAME:** STEEL, 3/16" ANGLE, GRAY PRIMER COAT
  - ③ **HINGES:** TYPE 316 STAINLESS STEEL
  - ④ **SLAM LATCH:** TYPE 316 STAINLESS STEEL WITH INSIDE LEVER HANDLE AND OUTSIDE REMOVABLE 5/16" SQUARE L HANDLE
  - ⑤ **COUNTER-BALANCE SPRING:** TYPE 17-7 STAINLESS STEEL SPRING ENCLOSED IN A TYPE 316 STAINLESS STEEL TELESCOPING TUBE
  - ⑥ **HOLD-OPEN ARM:** TYPE 316 STAINLESS STEEL WITH RED VINYL GRIP HANDLE
  - ⑦ **ANCHOR HOLES:** 3/8" HOLES PROVIDED FOR BOLTING IN ON SITE
  - ⑧ **FLUSH LIFTING HANDLE:** TYPE 316 STAINLESS STEEL
- FLOOR DOOR SIZE:** " (WIDTH) x " (LENGTH)
- CLEAR UNOBSTRUCTED OPENING:** " (WIDTH) x " (LENGTH)
- OPENING:** " (WIDTH) x " (LENGTH)

PROJECT:					
ARCHITECT:					
CONTRACTOR:					
QTY:					
PART#:		<b>BFDEPP X DB</b>			
<b>Babcock-Davis</b> <small>Always right there.®</small> <b>9300 73rd Avenue North</b> <b>Brooklyn Park, MN 55428</b>		TITLE: Floor Door, Existing Opening, Dbl Dr, 316 SST Hdw, Steel, Prime Coat, Pedestrian, Bolt-In, Slam Latch Removbl L Hdl			
NAME	DATE	SIZE	DWG. NO.	REV	
DRAWN	JE	04/18/11	A	BFDEPP_X_DB	A
RELEASED	DWO	04/18/11	WEIGHT: Varies	SHEET 1 OF 2	


PROPRIETARY AND CONFIDENTIAL; THE INFORMATION CONTAINED IN THIS DRAWING IS THE SOLE PROPERTY OF BABCOCK DAVIS. ANY REPRODUCTION IN PART OR AS A WHOLE WITHOUT THE WRITTEN PERMISSION OF BABCOCK DAVIS IS PROHIBITED. THIS IS A GENERIC SHOP DRAWING AND MAY NOT BE AN ACTUAL REPRESENTATION OF THE FINAL PRODUCT.



CONCRETE



### SLAM LATCH DETAIL

 <b>Babcock-Davis</b> <small>Always right there.™</small> <b>9300 73rd Avenue North</b> <b>Brooklyn Park, MN 55428</b>			<b>TITLE:</b> Floor Door, Existing Opening, Dbl Dr, 316 SST Hdw, Steel, Prime Coat, Pedestrian, Bolt-In, Slam Latch Removbl L Hdl					
<b>DRAWN</b>	JE	04/18/11	<b>SIZE</b>	A	<b>DWG. NO.</b>	BFDEPP_X_DB	<b>REV</b>	A
<b>RELEASED</b>	DWO	04/18/11	<b>WEIGHT:</b> Varies		<b>SHEET 2 OF 2</b>			

PROPRIETARY AND CONFIDENTIAL; THE INFORMATION CONTAINED IN THIS DRAWING IS THE SOLE PROPERTY OF BABCOCK DAVIS. ANY REPRODUCTION IN PART OR AS A WHOLE WITHOUT THE WRITTEN PERMISSION OF BABCOCK DAVIS IS PROHIBITED. THIS IS A GENERIC SHOP DRAWING AND MAY NOT BE AN ACTUAL REPRESENTATION OF THE FINAL PRODUCT.