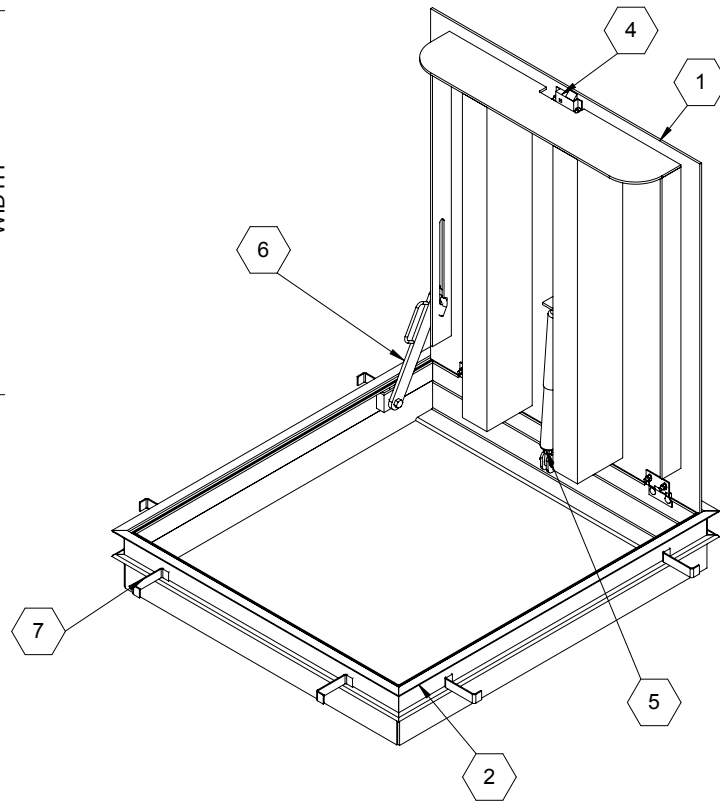


REFERENCE H20 CHANNEL SUPPORT SHELF SHEET 2



SPECIFICATIONS:

- ① **DOOR:** ALUMINUM, 1/4" DIAMOND PLATE, MILL FINISH WITH A H20 LOAD RATING FOR INFREQUENT LOW SPEED TRAFFIC WITH A MAXIMUM DEFLECTION OF L/160
- ② **FRAME:** ALUMINUM, 1/4" EXTRUSION, EPOXY PAINT FINISH ON EXTERIOR SURFACES THAT COME IN CONTACT WITH CONCRETE
- ③ **HINGES:** TYPE 316 STAINLESS STEEL
- ④ **SLAM LATCH:** TYPE 316 STAINLESS STEEL WITH INSIDE LEVER HANDLE AND OUTSIDE REMOVABLE 5/16" SQUARE L HANDLE
- ⑤ **COUNTER-BALANCE SPRING:** TYPE 17-7 STAINLESS STEEL SPRING ENCLOSED IN A TYPE 316 STAINLESS STEEL TELESCOPING TUBE
- ⑥ **HOLD-OPEN ARM:** TYPE 316 STAINLESS STEEL
- ⑦ **ANCHOR:** 4" CONCRETE ANCHOR STRAPS PROVIDED
- ⑧ **FLUSH LIFTING HANDLE:** TYPE 316 STAINLESS STEEL

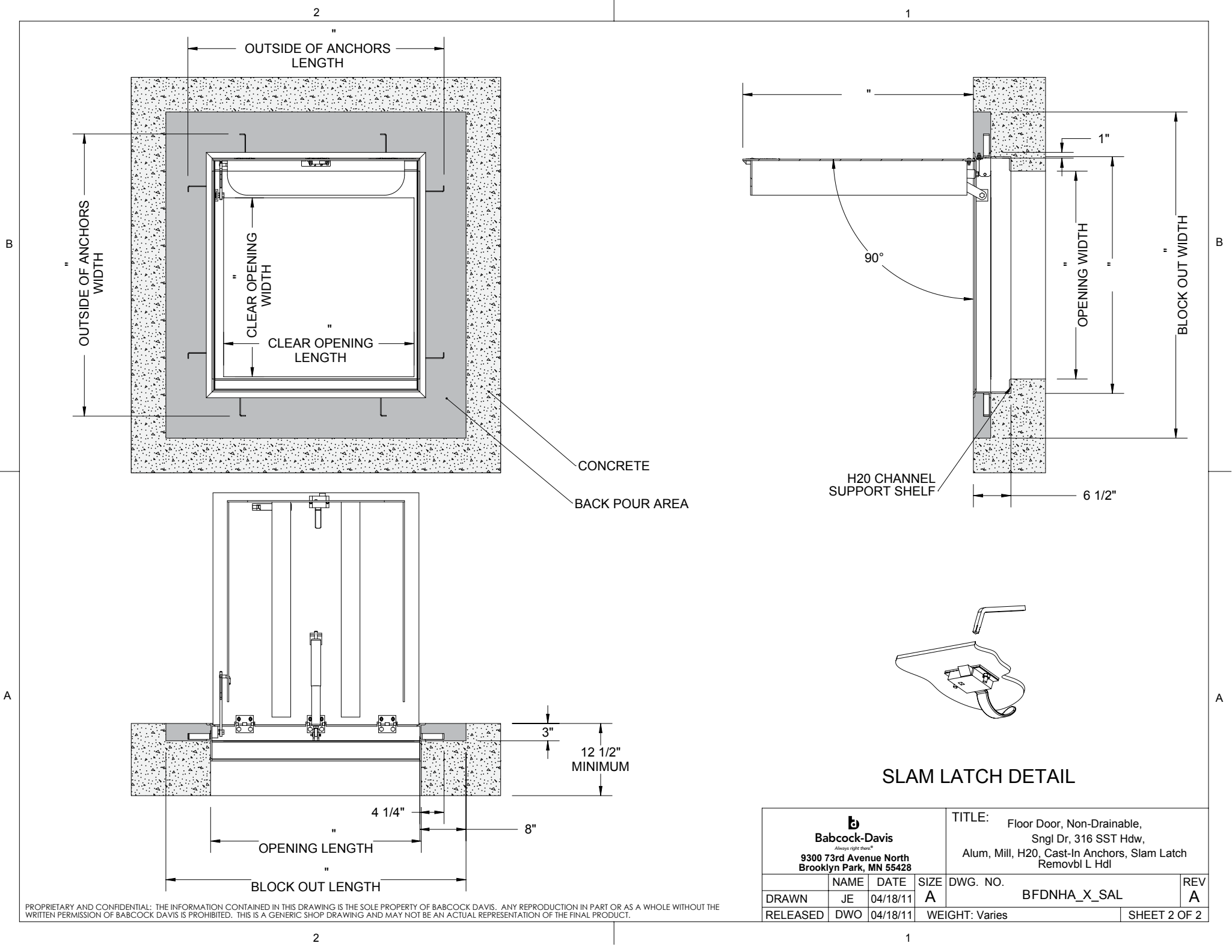
FLOOR DOOR SIZE:
" (WIDTH) x " (LENGTH)

CLEAR UNOBSTRUCTED OPENING:
" (WIDTH) x " (LENGTH)

OPENING:
" (WIDTH) x " (LENGTH)

PROPRIETARY AND CONFIDENTIAL; THE INFORMATION CONTAINED IN THIS DRAWING IS THE SOLE PROPERTY OF BABCOCK DAVIS. ANY REPRODUCTION IN PART OR AS A WHOLE WITHOUT THE WRITTEN PERMISSION OF BABCOCK DAVIS IS PROHIBITED. THIS IS A GENERIC SHOP DRAWING AND MAY NOT BE AN ACTUAL REPRESENTATION OF THE FINAL PRODUCT.

| | | | | | |
|--|-----|---|----------------|--------------|--------------|
| PROJECT: | | | | | |
| ARCHITECT: | | | | | |
| CONTRACTOR: | | | | | |
| QTY: | | | | | |
| PART#: | | BFDNHA X SAL | | | |
| Babcock-Davis <small>Always right there.®</small> 9300 73rd Avenue North Brooklyn Park, MN 55428 | | TITLE: Floor Door, Non-Drainable, Sngl Dr, 316 SST Hdw, Alum, Mill, H20, Cast-In Anchors, Slam Latch Removbl L Hdl | | | |
| | | NAME | DATE | SIZE | DWG. NO. |
| DRAWN | JE | 04/18/11 | A | BFDNHA_X_SAL | A |
| RELEASED | DWO | 04/18/11 | WEIGHT: Varies | | SHEET 1 OF 2 |



PROPRIETARY AND CONFIDENTIAL; THE INFORMATION CONTAINED IN THIS DRAWING IS THE SOLE PROPERTY OF BABCOCK DAVIS. ANY REPRODUCTION IN PART OR AS A WHOLE WITHOUT THE WRITTEN PERMISSION OF BABCOCK DAVIS IS PROHIBITED. THIS IS A GENERIC SHOP DRAWING AND MAY NOT BE AN ACTUAL REPRESENTATION OF THE FINAL PRODUCT.