
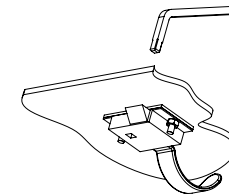
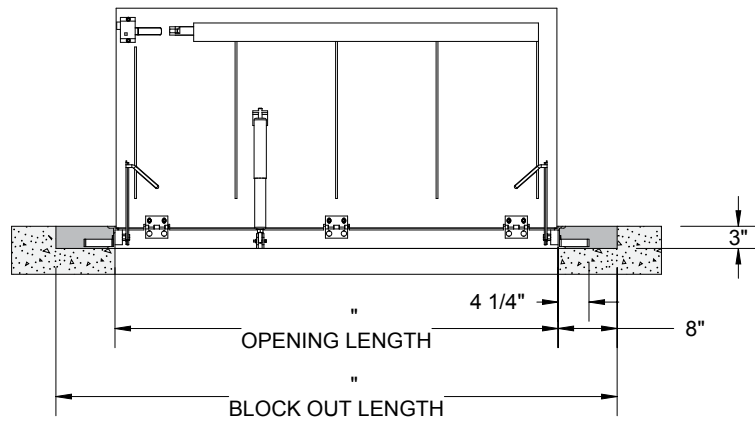
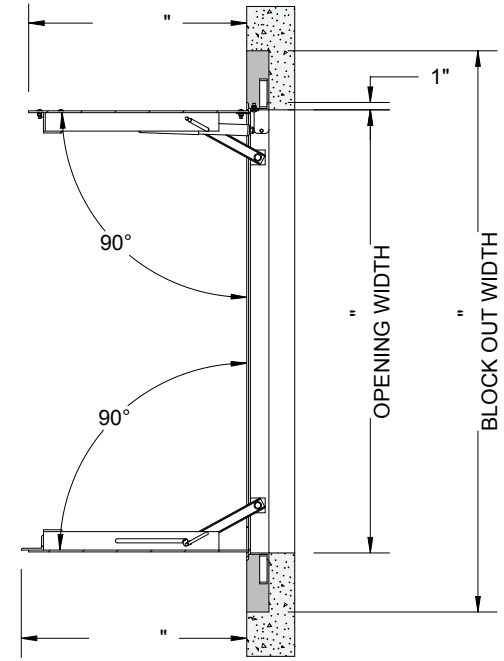
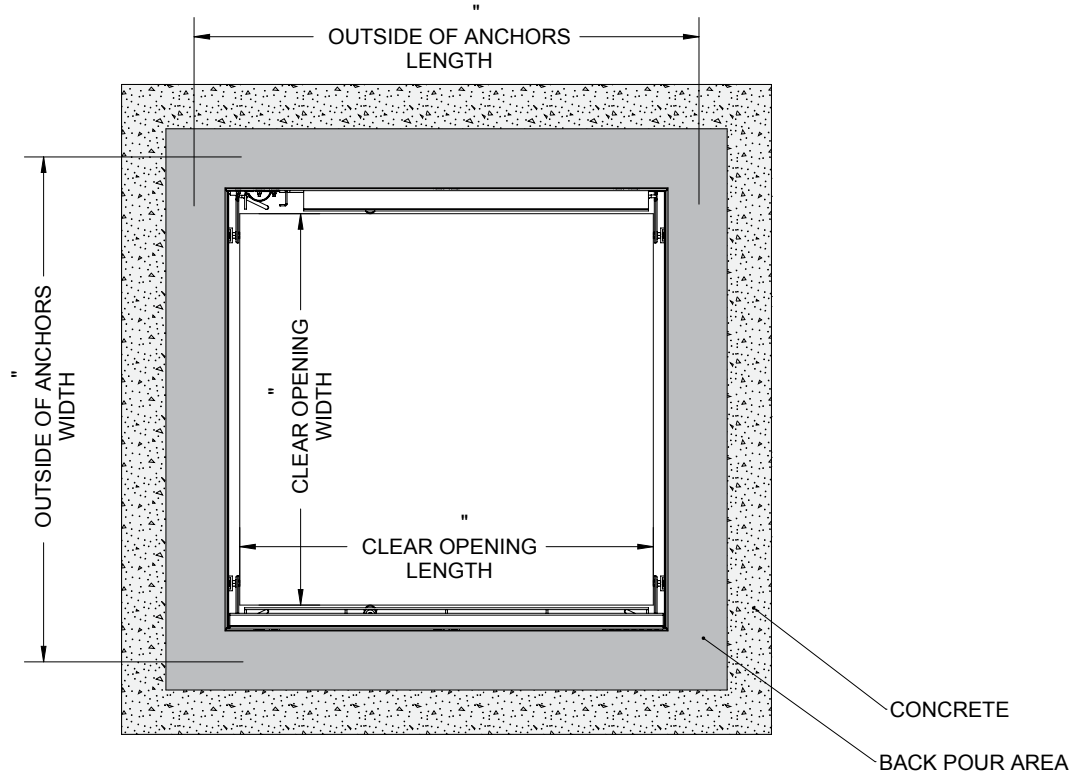


**SPECIFICATIONS:**


- ① **DOOR:** ALUMINUM, 1/4" DIAMOND PLATE, MILL FINISH WITH A LIVE LOAD OF 300 PSF WITH A MAXIMUM DEFLECTION OF L/160
  - ② **FRAME:** ALUMINUM, 1/4" EXTRUSION, EPOXY PAINT FINISH ON EXTERIOR SURFACES THAT COME IN CONTACT WITH CONCRETE
  - ③ **HINGES:** TYPE 316 STAINLESS STEEL
  - ④ **SLAM LATCH:** TYPE 316 STAINLESS STEEL WITH INSIDE LEVER HANDLE AND OUTSIDE REMOVABLE 5/16" SQUARE L HANDLE
  - ⑤ **COUNTER-BALANCE SPRING:** TYPE 17-7 STAINLESS STEEL SPRING ENCLOSED IN A TYPE 316 STAINLESS STEEL TELESCOPING TUBE
  - ⑥ **HOLD-OPEN ARM:** TYPE 316 STAINLESS STEEL WITH RED VINYL GRIP HANDLE
  - ⑦ **ANCHOR:** 4" CONCRETE ANCHOR STRAPS PROVIDED
  - ⑧ **FLUSH LIFTING HANDLE:** TYPE 316 STAINLESS STEEL
- FLOOR DOOR SIZE:**  
" (WIDTH) x " (LENGTH)
- CLEAR UNOBSTRUCTED OPENING:**  
" (WIDTH) x " (LENGTH)
- OPENING:**  
" (WIDTH) x " (LENGTH)

PROPRIETARY AND CONFIDENTIAL; THE INFORMATION CONTAINED IN THIS DRAWING IS THE SOLE PROPERTY OF BABCOCK DAVIS. ANY REPRODUCTION IN PART OR AS A WHOLE WITHOUT THE WRITTEN PERMISSION OF BABCOCK DAVIS IS PROHIBITED. THIS IS A GENERIC SHOP DRAWING AND MAY NOT BE AN ACTUAL REPRESENTATION OF THE FINAL PRODUCT.

PROJECT:				
ARCHITECT:				
CONTRACTOR:				
QTY:				
PART#:		<b>BFDNPA X DAL</b>		
 <b>Babcock-Davis</b> <small>Always right there.®</small> <b>9300 73rd Avenue North</b> <b>Brooklyn Park, MN 55428</b>		TITLE: Floor Door, Non-Drainable, Dbl Dr, 316 SST Hdw, Alum, Mill, Pedestrian, Cast-In Anchors, Slam Latch Removbl L Hdl		
NAME	DATE	SIZE	DWG. NO.	REV
DRAWN JE	04/18/11	A	BFDNPA_X_DAL	A
RELEASED DWO	04/18/11	WEIGHT: Varies		SHEET 1 OF 2



### SLAM LATCH DETAIL

 <b>Babcock-Davis</b> <small>Always right there.™</small> 9300 73rd Avenue North Brooklyn Park, MN 55428			TITLE: Floor Door, Non-Drainable, Dbl Dr, 316 SST Hdw, Alum, Mill, Pedestrian, Cast-In Anchors, Slam Latch Removbl L Hdl		
	NAME	DATE	SIZE	DWG. NO.	REV
DRAWN	JE	04/18/11	A	BFDNPA_X_DAL	A
RELEASED	DWO	04/18/11	WEIGHT: Varies		SHEET 2 OF 2

PROPRIETARY AND CONFIDENTIAL; THE INFORMATION CONTAINED IN THIS DRAWING IS THE SOLE PROPERTY OF BABCOCK DAVIS. ANY REPRODUCTION IN PART OR AS A WHOLE WITHOUT THE WRITTEN PERMISSION OF BABCOCK DAVIS IS PROHIBITED. THIS IS A GENERIC SHOP DRAWING AND MAY NOT BE AN ACTUAL REPRESENTATION OF THE FINAL PRODUCT.