

SPECIFICATIONS:

- ① **DOOR:** ALUMINUM, 1/4" DIAMOND PLATE, MILL FINISH WITH A LIVE LOAD OF 300 PSF WITH A MAXIMUM DEFLECTION OF L/160
- ② **FRAME:** ALUMINUM, 1/4" EXTRUSION, EPOXY PAINT FINISH ON EXTERIOR SURFACES THAT COME IN CONTACT WITH CONCRETE
- ③ **HINGES:** TYPE 316 STAINLESS STEEL
- ④ **SLAM LATCH:** TYPE 316 STAINLESS STEEL WITH INSIDE LEVER HANDLE AND OUTSIDE REMOVABLE 5/16" SQUARE L HANDLE
- ⑤ **COUNTER-BALANCE SPRING:** TYPE 17-7 STAINLESS STEEL SPRING ENCLOSED IN A TYPE 316 STAINLESS STEEL TELESCOPING TUBE
- ⑥ **HOLD-OPEN ARM:** TYPE 316 STAINLESS STEEL WITH RED VINYL GRIP HANDLE
- ⑦ **ANCHOR:** 4" CONCRETE ANCHOR STRAPS PROVIDED

- ⑧ **FLUSH LIFTING HANDLE:** TYPE 316 STAINLESS STEEL
- ⑨ **DRAINAGE COUPLING:** 1-1/2", FOR CONNECTION TO RUN OFF
- ⑩ **FLUSH TYPE PLUG SEAL:** TYPE 316 STAINLESS STEEL
- ⑪ **BUMPER GASKET:** RUBBER, AROUND ENTIRE PERIMETER

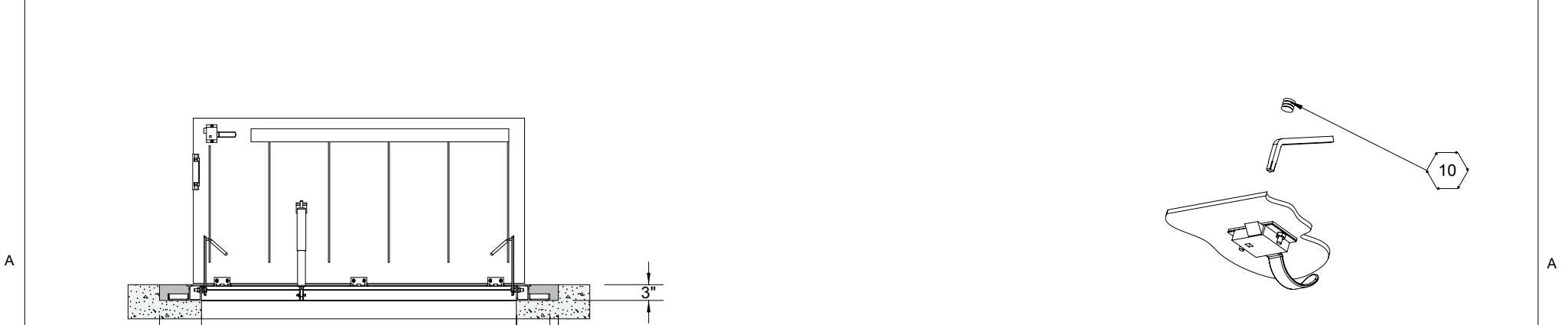
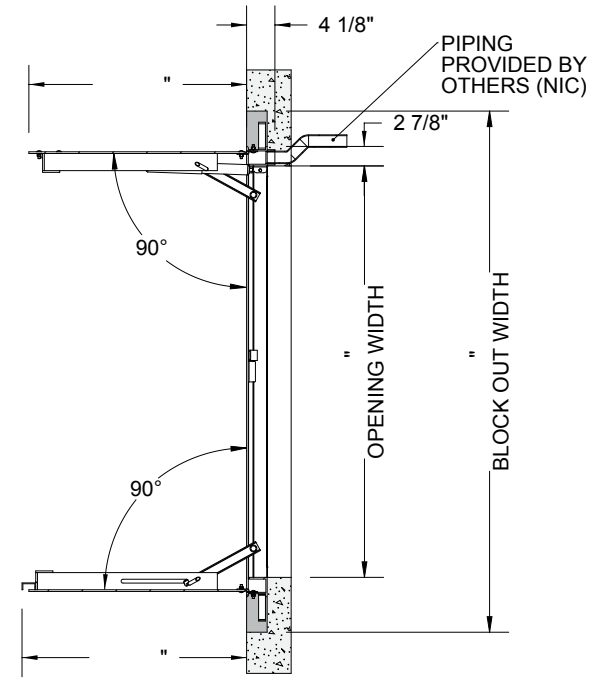
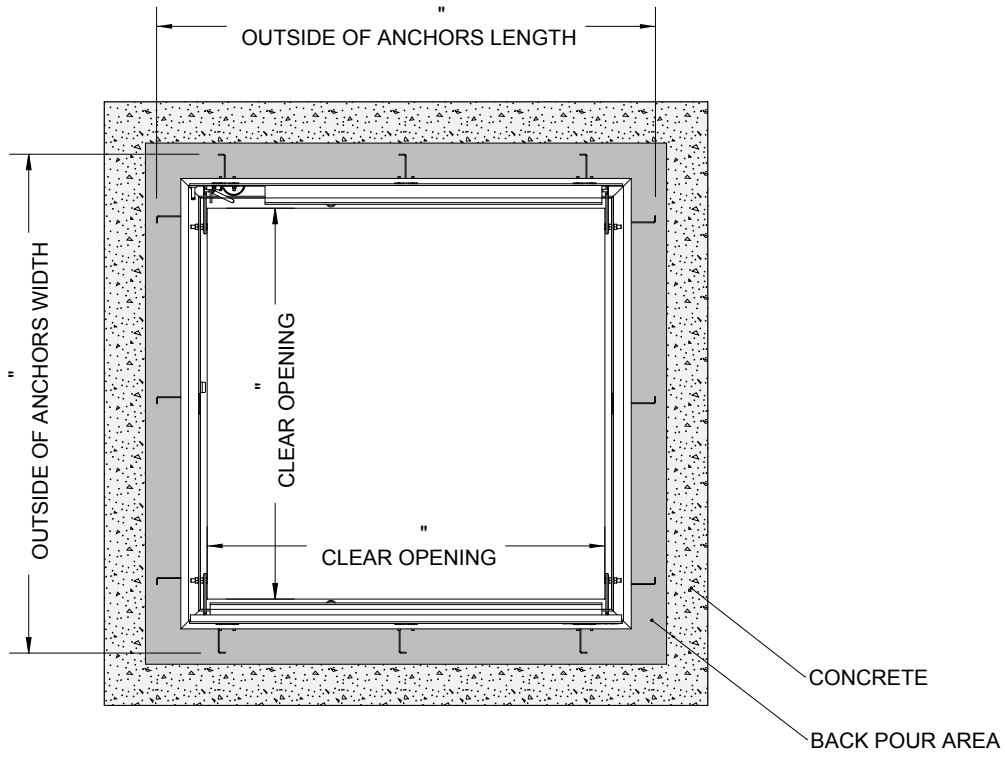
FLOOR DOOR SIZE:
" (WIDTH) x " (LENGTH)

CLEAR UNOBSTRUCTED OPENING:
" (WIDTH) x " (LENGTH)

OPENING:
" (WIDTH) x " (LENGTH)

PROPRIETARY AND CONFIDENTIAL; THE INFORMATION CONTAINED IN THIS DRAWING IS THE SOLE PROPERTY OF BABCOCK DAVIS. ANY REPRODUCTION IN PART OR AS A WHOLE WITHOUT THE WRITTEN PERMISSION OF BABCOCK DAVIS IS PROHIBITED. THIS IS A GENERIC SHOP DRAWING AND MAY NOT BE AN ACTUAL REPRESENTATION OF THE FINAL PRODUCT.

PROJECT:					
ARCHITECT:					
CONTRACTOR:					
QTY:					
PART#:		BFDDPA	X DAL		
Babcock-Davis <small>Always right there.®</small> 9300 73rd Avenue North Brooklyn Park, MN 55428		TITLE: Floor Door, Drainable Series, Dbl Dr, 316 SST Hdw, Alum, Mill, Pedestrian, Cast-In Anchors, Slam Latch Removbl L Hdl			
		NAME	DATE	SIZE	DWG. NO.
DRAWN	JE	04/18/11	A	BFDDPA_X_DAL	A
RELEASED	DWO	04/18/11	WEIGHT: Varies	SHEET 1 OF 2	



SLAM LATCH DETAIL

<p>Babcock-Davis Always right there.[®] 9300 73rd Avenue North Brooklyn Park, MN 55428</p>			<p>TITLE: Floor Door, Drainable Series, Dbl Dr, 316 SST Hdw, Alum, Mill, Pedestrian, Cast-In Anchors, Slam Latch Removbl L Hdl</p>		
DRAWN	NAME	DATE	SIZE	DWG. NO.	REV
RELEASED	JE	04/18/11	A	BFDDPA_X_DAL	A
RELEASED				DWO	04/18/11
WEIGHT: Varies			SHEET 2 OF 2		

PROPRIETARY AND CONFIDENTIAL; THE INFORMATION CONTAINED IN THIS DRAWING IS THE SOLE PROPERTY OF BABCOCK DAVIS. ANY REPRODUCTION IN PART OR AS A WHOLE WITHOUT THE WRITTEN PERMISSION OF BABCOCK DAVIS IS PROHIBITED. THIS IS A GENERIC SHOP DRAWING AND MAY NOT BE AN ACTUAL REPRESENTATION OF THE FINAL PRODUCT.