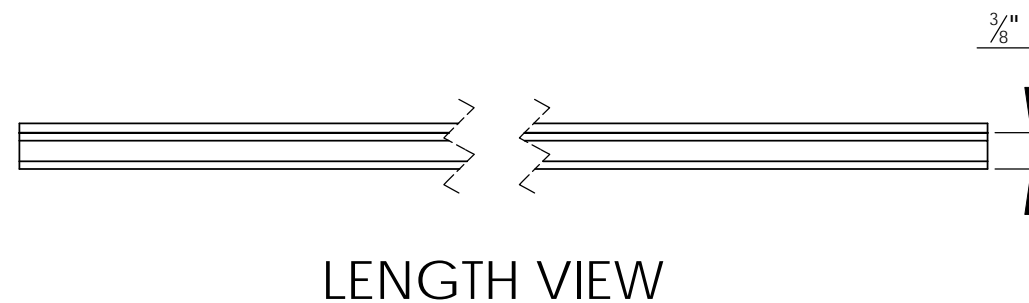
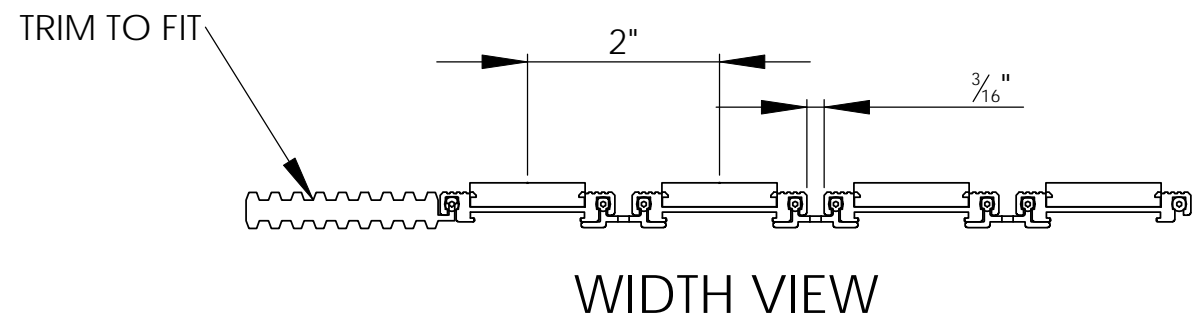


# Quietflex®

## M-650RS MAT DETAIL



OUR QUIETFLEX ENTRANCE MATS HAVE RECYCLED LOW-DENSITY POLYETHYLENE (LDPE) HINGES AND ALL ALUMINUM RAILS. LDPE HINGES ARE QUIET AND DON'T SHRINK OR CRACK LIKE VINYL OR THERMOPLASTIC RUBBER HINGES DO. OUR ALUMINUM RAIL MATS ARE SUITABLE FOR COMMERCIAL APPLICATIONS. THEY MAINTAIN THEIR INTEGRITY IN ALL WEATHER SO THE TREADS STAY IN THE RAILS. THEY ARE SUITABLE FOR COMMERCIAL APPLICATIONS.

### DETAIL NOTES:

- 1-TREAD RAILS MUST RUN PERPENDICULAR TO TRAFFIC DIRECTION.
- 2-MAT DIMENSIONS ALLOW FOR CLEARANCE BETWEEN MAT SECTIONS AND FRAME IN THE WIDTH DIMENSION ONLY.
- 3-TRIM THE FILLER TO ENSURE A TIGHT FIT IN THE TRAFFIC DIMENSION

### SPECIFICATIONS:

QUIETFLEX MODEL M-650RS HAS OUR 600 DENIER TUFTED POLYPROPYLENE RUGGED SCRUB TREADS HAVE PRIMARY AND SECONDARY BACKING. RAILS ARE MADE WITH 6063-T52 ALLOY RAILS AND ARE  $\frac{3}{8}$ " (9.5MM) DEEP AND, SPACED 2" (50.8MM) ON CENTER. FRAMES USED WITH THE M-650RS ARE: TYPE F-3 RECESSED; TYPE F-4 SURFACE MOUNT; TYPE F-6 THIN LINE; F-6R THIN LINE CAST IN PLACE FRAMES WHICH ARE MADE OF ALUMINUM. IN ADDITION OUR F-5 SURFACE FRAME IS AVAILABLE IN VINYL.



Arden  
Architectural  
Specialties, Inc.™  
9300 73rd Avenue North  
Brooklyn Park, MN 55428

JOB REF.

MODEL NO. **M-650RS**

RELEASED DATE | 1/5/2011

SHEET 1 OF 1