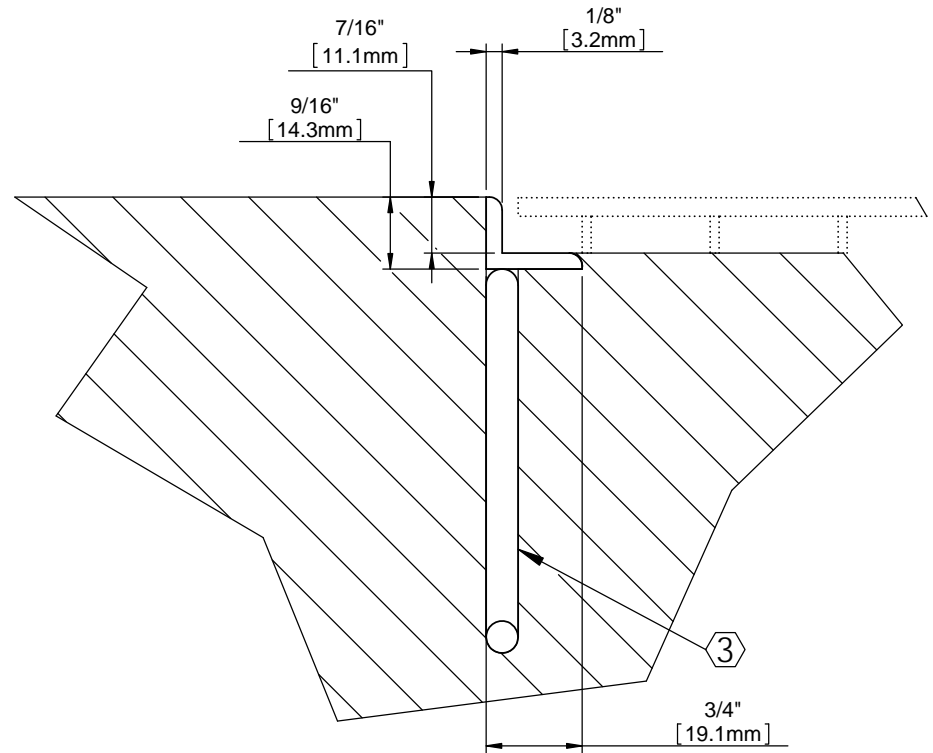


WIDTH VIEW




LENGTH VIEW

Notes:

- ① Frame is made of type 304 stainless steel.
- 2. All stainless steel frame corners are welded.
- ③ Anchors spacing: welded anchors 6" from corners, 24" O.C. max.
- 4. Grate options:
 - SS-38G, stainless steel grate
 - SS-38A, stainless steel grate with Ultrasorb Inserts
 - SS-38S, stainless steel grate with Rugged Scrub Inserts
- 5. Additional information can be found in the product specification and is considered part of this transmittal.

PROPRIETARY AND CONFIDENTIAL: THE INFORMATION CONTAINED IN THIS DRAWING IS THE SOLE PROPERTY OF NYSTROM. ANY REPRODUCTION IN PART OR AS A WHOLE WITHOUT THE WRITTEN PERMISSION OF NYSTROM IS PROHIBITED.

| | | | | | |
|--|------|--|------------|--------------|-----|
| PROJECT: | | | | | |
| ARCHITECT: | | | | | |
| CONTRACTOR: | | | | | |
|  Right to site. 9300 73rd Avenue North Minneapolis, MN 55428 | | DESCRIPTION: | | | |
| | | SS-38SF, stainless steel angle frame, level bed, cast in place | | | |
| | NAME | DATE | SIZE | MODEL NO. | REV |
| DRAWN | DKL | 8/14/13 | A | SS-38SF | A |
| RELEASED | PGE | 8/23/13 | SCALE: NTS | SHEET 1 OF 1 | |