

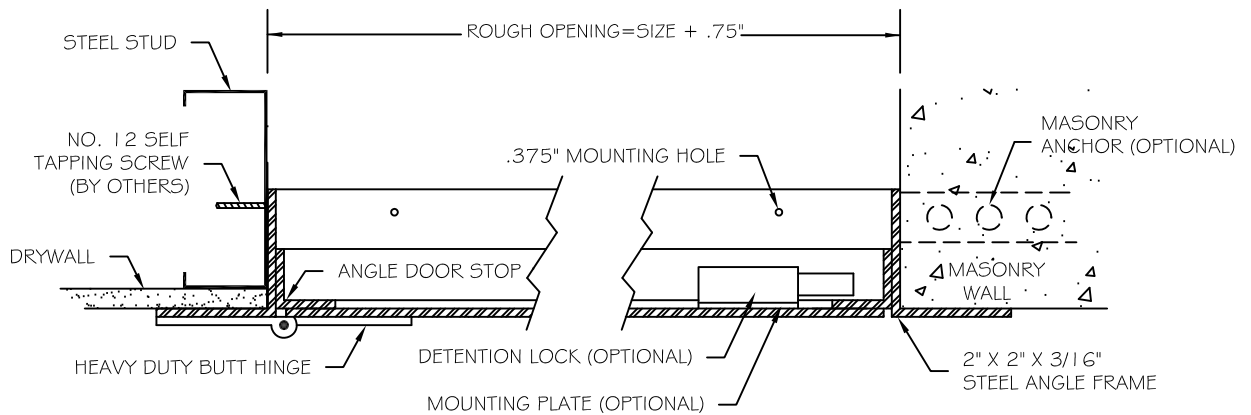
FRONT ELEVATION
NOT TO SCALE

SPECIFICATIONS

- 2" X 2" X 3/16" STEEL ANGLE FRAME
- 1" X 1" X 1/8" STEEL ANGLE DOOR STOP
- 10 GAUGE STEEL PLATE DOOR
- ALL EXPOSED JOINTS WELDED, FILLED AND GROUND SMOOTH
- GRAY BAKED ON POWDER COAT FINISH
- 4" X 4" BUTT HINGE WELDED TO DOOR AND FRAME
- PINNED ALLEN HEAD SECURITY SCREWS (STANDARD ON PANELS 24 X 24 AND LARGER)
- PREPARED TO MOUNT STANDARD DETENTION LOCK USING 5/16 - 18 X 1.75: FLAT HD PINNED TORX SECURITY SCREWS (SCREWS PROVIDED WHEN FACTORY FURNISHES LOCK)

OPTIONS

- PREPARATION FOR 1.125" MORTISE CYLINDER (CYLINDER PROVIDED BY OTHERS OR BY FACTORY)
- PREPARATION FOR HEAVY DUTY DETENTION DEAD BOLT LOCK (LOCK PROVIDED BY OTHERS OR BY FACTORY)
- MASONRY ANCHORS ATTACHED



A
A
CUT-THRU SECTION
NOT TO SCALE

HIGH SECURITY ACCESS PANEL FOR ALL-PURPOSE APPLICATIONS

Standard Features:

| | |
|----------------|---|
| Door: | 10 gauge (3.43 mm thick) cold rolled steel |
| Frame: | 2" x 2" x 3/16" (50.8mm x 50.8mm x 4.76mm) steel angle |
| Hinge: | Heavy duty butt hinges Optional: concealed piano hinge |
| Latch: | Pinned allen head security screw(s) Optional: mortise cylinder preparation (cylinder provided by factory or others) or heavy duty detention lock preparation (deadbolt lock provided by Factory or others) |
| Finish: | Gray baked on powder coat |

Specifications:

Frame shall be 2" x 2" x 3/16" (50.8mm x 50.8mm x 4.76mm) steel angle. Door shall be fabricated from 10 gauge (3.43 mm thick) cold rolled steel. Hinges shall be heavy duty butt type hinges (optional: concealed piano type). Latch(es) shall be a pinned allen head security screw(s) (optional: prepared to receive 1-1/8" mortise cylinder – cylinder provided by Factory or others; or detention preparation to receive heavy duty deadbolt lock – deadbolt lock provided by factory or others). Finish shall be gray baked on powder coat.

Installation shall be in accordance with manufacturer's instructions. Manufacturer shall guarantee against defects in material and workmanship for a period of one year.

Standard Sizes:

| Std sizes (in) | Std Sizes (mm) | Weight/Latches |
|----------------|----------------|----------------|
| 12x12 | 305x305 35/1 | |
| 16x16 | 406x406 44/1 | |
| 18x18 | 457x457 49/1 | |
| 22x30 | 559x762 69/2 | |
| 24x24 | 610x610 65/2 | |
| 24x36 | 610x914 80/3 | |
| 24x40 | 610x1016 120/4 | |
| 24x48 | 610x1219 125/4 | |
| 36x36 | 914x914 130/5 | |

All units are hinged on the second dimension (height). Rough opening is door size plus 3/4".