

FRONT ELEVATION
NOT TO SCALE

SPECIFICATIONS

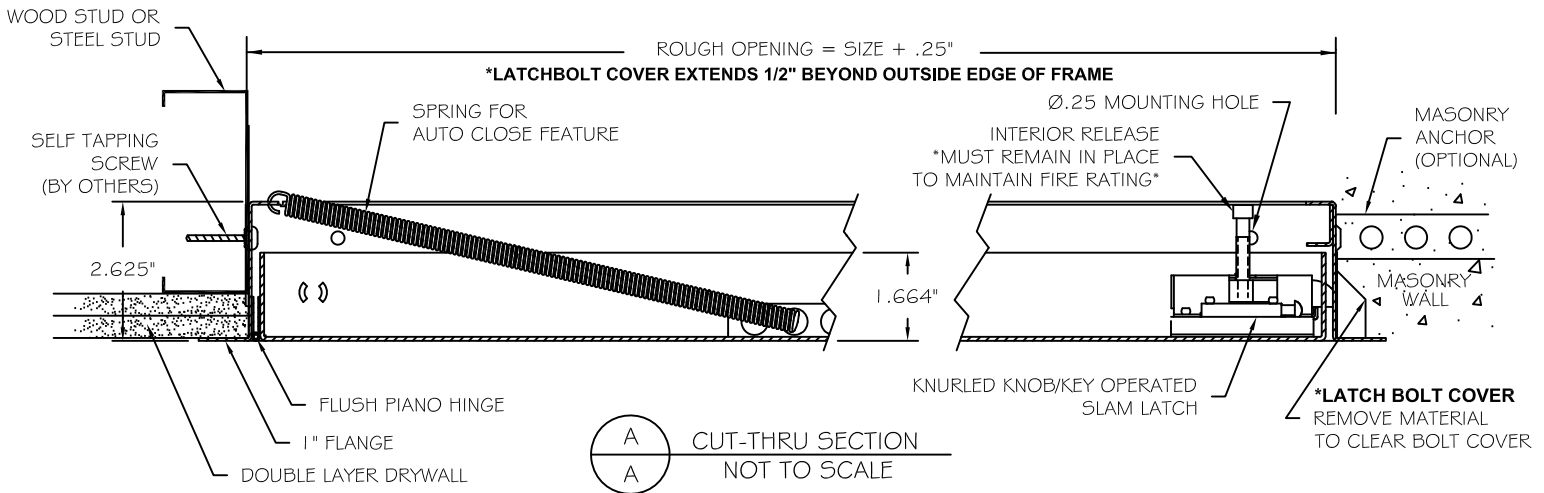
- 16 GAUGE COLD ROLLED STEEL FRAME
- 14 GAUGE COLD ROLLED STEEL DOOR
- GRAY BAKED ON POWDER COAT FINISH
- FLUSH CONTINUOUS PIANO HINGE
- FRAMES PROVIDED WITH .25" MOUNTING HOLES
- FLUSH KEY OR METAL KNURLED KNOB OPERATED LOCK
- SPRING DOOR CLOSURE
- 1" WIDE EXPOSED FLANGE
- INTERIOR RELEASE MECHANISM

OPTIONS

- GALVANIZED BONDERIZED STEEL
- STAINLESS STEEL WITH #4 SATIN POLISH FINISH
- STAINLESS STEEL CONTINUOUS PIANO HINGE WITH STAINLESS STEEL PIN (AVAILABLE ON STAINLESS STEEL PANELS ONLY)
- MASONRY ANCHORS
- PREPARATION FOR 1.125" MORTISE CYLINDER (CYLINDER PROVIDED BY OTHERS OR BY FACTORY)

LISTINGS

1 1/2 HR "B" LABEL



Standard Features:

Door: 14 gauge cold rolled steel
 Frame: 16 gauge cold rolled steel with 1" flange
 Hinge: Flush continuous hinge
 Latch: Knurled knob/Key operated latch bolt
 Optional: Mortise cylinder preparation (cylinder provided by factory or by others)
 Finish: Gray baked on powder coat
 Optional: galvanized bonderized or stainless steel with #4 satin polish finish
 Insulation: None
 Other: Self-closing with interior release mechanism

Specifications:

Frame shall be 16 gauge cold rolled steel with 1" flange. Door shall be fabricated from 14 gauge cold rolled steel. Door shall be self-latching with automatic closer and interior latch release mechanism. Hinge shall be flush continuous piano type. Latch(es) shall be knurled knob/key operated latch bolt (optional: preparation to receive 1 1/8" mortise cylinder - cylinder provided by factory or others). This assembly shall carry a 1 1/2 hour UL "B" label for walls only. Finish shall be gray baked on powder coat (optional: galvanized bonderized steel or stainless steel with #4 satin polish finish).

Installation shall be in accordance with manufacturers instructions. Manufacturer shall guarantee against defects in material and workmanship for a period of one year.

Standard Sizes:

Std Sizes (in)	Std Sizes (mm)	Weight/Latches	Std Sizes (in)	Std Sizes (mm)	Weight/Latches
08x08	203x203	5/1	22x30	559x762	23/1
10x10	254x254	7/1	22x36	559x914	29/2
12x12	305x305	9/1	24x24	610x610	21/1
12x18	305x457	13/1	24x30	610x762	23/1
12x24	305x610	14/1	24x36	610x914	29/2
14x14	356x356	13/1	24x48	610x1219	42/2
16x16	406x406	12/1	30x30	762x762	29/1
18x18	457x457	14/1	32x32	813x813	35/1
18x24	457x610	19/1	36x36	914x914	40/2
20x30	508x762	21/1	36x48	914x1219	50/2
22x22	559x559	20/1	48x48	1219x1219	75/2

All units are hinged on the second dimension (height). Rough opening is size plus 1/4".
 Minimum height with detention lock is 12" high.
 These access doors are designed for use in wall applications only.