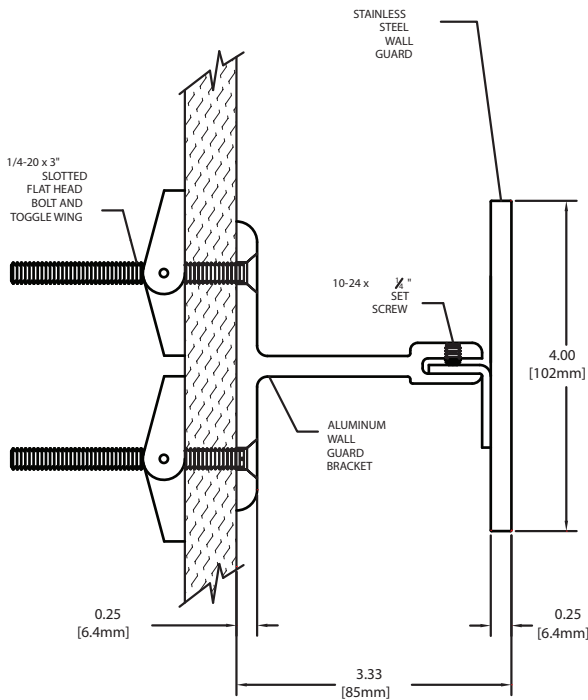


50SS Stainless Steel Wall Guard



- ▶ 4" (102mm) of wall protection, extends 3⁵/₁₆" (85mm) from wall
- ▶ 1/4" (6.4mm) thick standard Type 304, 16 gauge stainless steel in a No. 4 satin finish
- ▶ Manufactured as pre-assembled units per field dimensions
- ▶ All mounting fasteners are included with each order



IPC.563/REV.3

P.O. Box 406 · Muskego, Wisconsin 53150 USA
 inprocorp.com
 Nationwide 800.222.5556/Fax 888.715.8407
 International Sales 262.679.5521/Fax 262.679.5524

INPRO
IPC Interior Protection Products
 and Decorative Surfaces

50SS Stainless Steel Wall Guard

Suggested Specifications

PART 1 - GENERAL

1.01 SUMMARY

A. Stainless Steel Wall Guard system for wall protection

1.02 SECTION INCLUDES

A. 50SS Stainless Steel Wall Guard Systems

1.03 SUBMITTALS

A. Product data for each type of wall guard specified.

B. Detail drawings indicating mounting details with the appropriate fasteners for specific project substrates.

C. Samples for verification purposes of wall guard, 6" (152mm) long, in full size profiles of each type indicated.

D. Cleaning and maintenance instructions for door and wall protection systems.

1.04 DELIVERY, STORAGE AND HANDLING

A. Deliver materials in unopened factory packaging to the jobsite and store in original packaging in a climate controlled location away from direct sunlight.

1.05 PROJECT CONDITIONS

A. Products must be installed in an interior climate controlled environment.

1.06 WARRANTY

A. Standard IPC Limited Lifetime Warranty against material and manufacturing defects.

PART 2 - PRODUCTS

2.01 MANUFACTURER

A. Acceptable Manufacturer: IPC Door and Wall Protection Systems, InPro Corporation, PO Box 406 Muskego, WI 53150 USA; Telephone: 800.222.5556, Fax: 888.715.8407, www.inprocorp.com

B. Substitutions: Not permitted

C. Provide all wall guards and wall protection from a single source.

2.02 MANUFACTURED UNITS

A. Wall Guards

1. Stainless Steel Wall Guard

Model Size

50SS, 4" (102mm) h x 3⁵/₁₆" (84mm) deep, Fabricated to field verified dimensions

2.03 MATERIALS

A. Stainless Steel: Wall Guard shall be manufactured from type 304 Stainless Steel.

2.04 FINISHES

A. Stainless Steel: Stainless steel wall guard shall have a #4 satin finish.

PART 3 - EXECUTION

3.01 EXAMINATION

A. Examine areas and conditions in which the wall guard systems will be installed.

1. Complete all finishing operations, including painting, before beginning installation of wall guards.

B. Wall surface shall be dry and free from dirt, grease and loose paint.

3.02 PREPARATION

A. General: Prior to installation, clean substrate to remove dust, debris and loose particles.

3.03 INSTALLATION

A. General: Locate the wall guard as indicated on the approved detail drawing for the appropriate substrate and in compliance with the IPC installation instructions. Install wall guard level and plumb at the height indicated on the drawings.

B. Installation of Stainless Steel Wall Guards:

Note: The 50SS Stainless Steel Wall Guard is manufactured to lengths specified by the customer. Returns and corners must be joined to the straight lengths

with splices. When determining bracket locations, brackets cannot be installed in the spot where a splice occurs.

1. Determine height of wall guard. Deduct 1/4" and snap chalk line. Position the top edge of bracket against chalk line. Transfer mounting holes to wall.

2. Drill marked holes with 3/4" drill bit for toggle bolts (drywall installation) or 1/2" drill bit for lead anchor (concrete wall installation). Mount brackets to wall, tighten screws to secure.

3. Attach the returns and corners to the straight lengths using splices. Position the splice so the mounting tab of the wall guard aligns with the holes on the splice and bolt the assembly together.

4. Position wall guard into mounting brackets. Tighten the wall guard into the brackets with set screws.

3.04 CLEANING

A. At completion of the installation, clean surfaces in accordance with the IPC clean up and maintenance instructions

