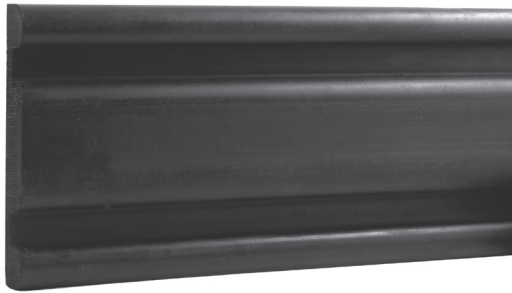
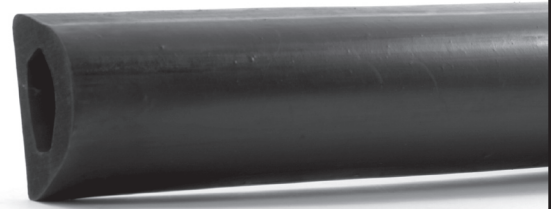


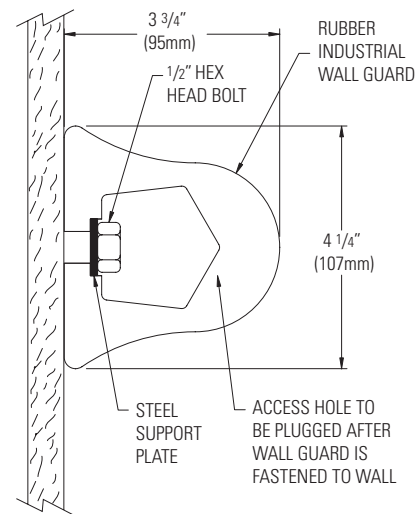
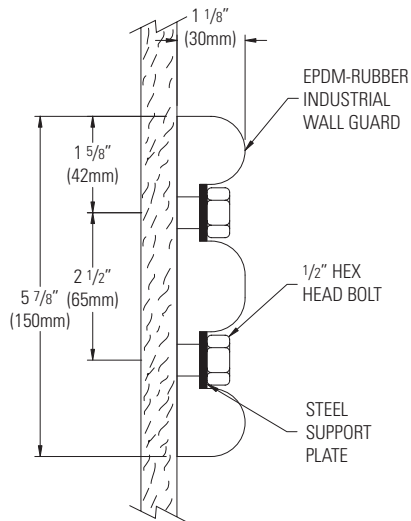
Heavy Duty Rubber Wall Guards



E-Fender Rubber



D-Fender Rubber



- ▶ Available in two styles:
 - D-Fender – 4¹/₄" height
 - E-Fender – 6" and 8" heights
- ▶ Manufactured in 10' (3.05m) standard lengths
- ▶ Suitable for interior and exterior applications
- ▶ Available in black



IPC.371/REV.2

P.O. Box 406 · Muskego, Wisconsin 53150 USA
 inprocorp.com
 Nationwide 800.222.5556/Fax 888.715.8407
 International Sales 262.679.5521/Fax 262.679.5524

INPRO
IPC Interior Protection Products
 and Decorative Surfaces

Heavy Duty Rubber Wall Guards

Suggested Specifications

PART 1 - GENERAL

- 1.01 Summary
- A. Rubber wall guards for wall protection
- 1.02 SECTION INCLUDES
- A. Heavy Duty Rubber Wall Guards
- 1.03 REFERENCES
- A. British Standard (BS)
- B. International Rubber Hardness Degree (IRHD)
- 1.04 SYSTEM DESCRIPTION
- A. Performance Requirements: Provide heavy duty rubber wall guards that conform to the following requirements of regulatory agencies and the quality control of IPC Door and Wall Protection Systems, InPro Corporation.
1. Tensile: Provide heavy duty rubber wall guards with a maximum tensile of 14 mn/m², when tested in accordance with BS 903 A2.
2. Elongation: Provide heavy duty rubber wall guards with a 300% minimum elongation when tested in accordance with BS 903 A2.
3. Hardness: Provide heavy duty rubber wall guards with a hardness of 65-75 IRHD when tested in accordance with BS 903 A26.
4. Compression Set: Provide heavy duty rubber wall guards with a maximum compression set of 30% when tested in accordance with BS 903 A6A for 22 hours at 70°C.
5. Tear Resistance: Provide heavy duty rubber wall guards with a minimum tear resistance of 40N/mn when tested in accordance with BS 903 A3,m method C.
- 1.05 SUBMITTALS
- A. Product Data: Manufacturer's printed product data for each type of wall protection specified.
- B. Detail Drawings:
- C. Samples: Verification samples of wall protection, in full size profiles of each type and color indicated.
- D. Manufacturer's Installation Instruction: Printed installation instructions for heavy duty rubber wall protection.
- 1.06 DELIVERY, STORAGE AND HANDLING
- A. Deliver materials in unopened factory packaging to the jobsite
- B. Inspect materials at delivery to assure that specified products have been received.
- C. Store in original packaging in a climate controlled location away from direct sunlight.
- 1.07 WARRANTY
- A. Standard IPC Limited Lifetime Warranty against material and manufacturing.

PART 2 - PRODUCTS

- 2.01 MANUFACTURER
- A. Acceptable Manufacturer/Distributor:
IPC Door and Wall Protection Systems, InPro Corporation, PO Box 406 Muskego, WI 53150 USA; Telephone: 800.222.5556, Fax: 888.715.8407, www.inprocorp.com
- B. Substitutions: Not permitted
- C. Provide all heavy duty rubber wall guards from a single source.
- 2.02 MANUFACTURED UNITS
- A. Wall Guard Profile
1. Heavy Duty Rubber Wall Guard Model number, dimensions D-fender DW-WGRD4-10, 414"(107mm) height x 334"(95mm)depth E-fender DW-WGRE6-10, 6"(152mm)height x 118"(30mm)depth DW-WGRE8-10, 8"(203mm)height x 118"(30mm)depth Standard length 9.843'(3m)
- 2.03 MATERIALS
- A. Heavy duty rubber wall guard shall be extruded from UV resistant and ageing resistant styrene butadiene/natural rubber blend (SBR).
- 2.04 FINISHES
- A. Heavy Duty Rubber Wall Guards: Colors of the wall guard shall be black in a uniform quality and free from foreign substances.

PART 3 - EXECUTION

- 3.01 EXAMINATION
- A. Examine areas and conditions in which the wall protection will be installed.
1. Complete all finishing operations, including painting, before beginning installation of wall protection materials.
- B. Wall surface shall be dry and free from dirt, grease and loose paint.
- 3.02 PREPARATION
- A. General: Prior to installation, clean substrate to remove dust, debris and loose particles.
- 3.03 INSTALLATION
- A. General: Locate wall guard as indicated on the approved detail drawing for the appropriate substrate, and in compliance with the IPC installation instructions. Install wall guard level and plumb at the height indicated on the drawings.
- B. Installation of Heavy Duty Rubber Wall Guards: D-Fender Wall Guard
1. Cut the wall guard to the required length. NOTE: Trim all factory edges square before installation.

2. Drill 1¹/₈" access holes through the front of the wall guard 4" (102mm) from each end and spaced evenly over the length (6 fasteners per 9.843' (3m) length). Drill 1¹/₂" holes through the back surface at the same locations.
3. Use the wall guard with holes as a template and transfer the location of the mounting holes to the steel plate. Drill 1¹/₂" holes in the steel plate.
4. Select a 3³/₈" diameter, stainless steel hex-head fastener (Installer supplied) that is an appropriate length for the wall guard and the substrate. Position the wall guard on the wall and mark the mounting hole locations on the wall.
5. Drill holes for fasteners at each mark on the wall. Insert the steel plate in the wall guard and mount the wall guard to the wall. Level wall guard and tighten fasteners to secure it to the wall. Inside and outside corners may be miter cut. If required, fill the access holes with a rubber compatible sealant.
- E-Fender Wall Guard
1. Cut the wall guard to the required length. NOTE: Trim all factory edges square before installation.
2. Drill 1¹/₂" mounting holes through the wall guard. Use two fasteners 4" (102mm) from each end and space the remaining fasteners evenly over the length of the wall guard in a zigzag pattern (8 fasteners per 9.843' (3m) length). Select a 3³/₈" diameter, stainless steel hex-head fastener (Installer supplied) that is an appropriate length for the wall guard along with flat washers.
3. Use the wall guard as a template and transfer the hole locations to the wall with fasteners and flat washers.
4. Drill holes for the fasteners at each mark on the wall. Mount the wall guard on the wall. Level the wall guard and tighten the fasteners to secure the wall guard. Inside and outside corner may be miter cut.
- 3.04 CLEANING
- A. At completion of the installation, clean surfaces in accordance with the IPC clean up and maintenance instructions.

