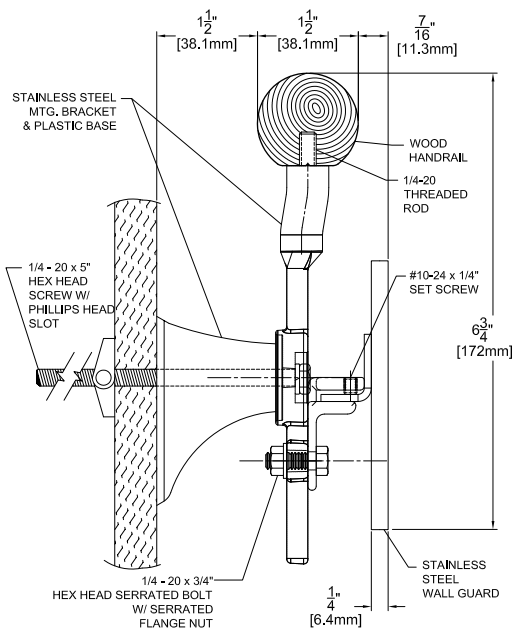
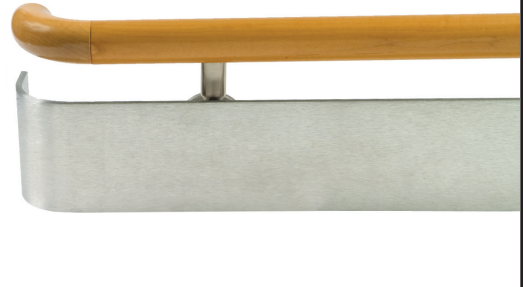


3500WS Silhouette Handrail



- ▶ 77/8" (200mm) height x 1 1/2" (38mm) gripping diameter, extends 3 1/4" (82mm) from the wall
- ▶ Wood handrail available in red oak, maple or FSC Certified Ash, each in seven stain colors or natural
- ▶ Sturdy, factory pre-cut, 4" (102mm) high, type 304 stainless steel wall guard
- ▶ Meets ADA and ANSI criteria
- ▶ Manufactured in 8' - 16' (2.44m - 4.88m) standard lengths
- ▶ All mounting fasteners are included with each order
- ▶ May qualify for LEED MR Credit 4.1 = 1 credit; MR Credit 4.2 = 1 credit



IPC.660/REV.2

P.O. Box 406 · Muskego, Wisconsin 53150 USA
 inprocorp.com
 Nationwide 800.222.5556/Fax 888.715.8407
 International Sales 262.679.5521/Fax 262.679.5524

INPRO CORPORATION
 Interior and Exterior Architectural Products

3500WS Silhouette Handrail

Suggested Specifications

PART 1 GENERAL

1.01 SUMMARY

- A. Handrail systems for pedestrian safety and wall protection

1.02 SECTIONS INCLUDES

- A. 3500WS Silhouette Handrail System, wood handrail with integrated stainless steel wall guard.

1.03 REFERENCES

- A. American National Standards Institute (ANSI)
B. American Society for Testing and Materials (ASTM)
C. American with Disabilities Act (ADA)
D. Environmental Protection Agency (EPA)
E. Kitchen Cabinets Manufacturers Association (KCMA)
F. National Emission Standards for Hazardous Air Pollutants (NESHAP)

1.04 SYSTEM DESCRIPTION

- A. Performance Requirements: Provide wood handrail systems with integrated wall guard that conform to the following requirements of regulatory agencies and the quality control of IPC Door and Wall Protection Systems, InPro Corporation.

1. Cold, heat and chemical resistance: Provide wood handrail with a finish that complies with the applicable provisions of ANSI/KCMA A161.1- 1990 for cold check, heat and chemical resistance.
2. Environmental compliance: Provide wood handrail and with a finish that does not off gas or emit any VOC, after a full cure, as tested in accordance to the EPA, NESHAP, Method 24, 40CFR, Volume 60, Appendix A.
3. Code Compliance: Provide handrails that comply with all current ANSI and ADA requirements.

1.05 SUBMITTALS

- A. Product Data: Manufacturer's printed product data for each product indicated in this section.
B. Detail Drawings: Mounting details with appropriate fasteners for specific project substrates.
C. Samples: Verification samples of handrail, 10" (254mm) long, in full size profiles with mounting brackets of each type indicated.
D. Manufacturer's Installation Instructions: Printed installation instructions for each handrail.

1.06 DELIVERY, STORAGE AND HANDLING

- A. Deliver materials in unopened factory packaging to the jobsite.
B. Inspect materials at delivery to assure that specified products have been received.
C. Store in original packaging in a climate controlled environment away from direct sunlight.

1.07 WARRANTY

- A. Standard IPC limited lifetime warranty against material and manufacturing defects.

PART 2 PRODUCTS

2.01 MANUFACTURERS

- A. Acceptable Manufacturer: IPC Door and Wall Protection Systems, InPro Corporation, PO Box 406, Muskego, WI 53150 USA; Telephone 800-543-1729, Fax: 888-715-8407, Internet address: www.inprocorp.com
B. Substitutions: Not permitted

- C. Provide all handrails and wall protection from a single manufacturer.

2.02 LEED Criteria

- A. Provide handrail system with metal components that have recycled content.

1. MR CR4.1, 10% (post-consumer + 1/2 pre-consumer), 1 Credit

2. MR CR4.2, 20% (post-consumer + 1/2 pre-consumer), 1 Credit

2.03 MANUFACTURED UNITS

A. Wood/Stainless Handrail

1. 3500WS Silhouette Handrail, 6-7/8" (175mm) height x 1-1/2" (38mm) gripping diameter, system extends 3-1/4" (82mm) from the wall. System includes integrated stainless steel wall guard, 4" (102mm) high.

2.04 MATERIALS

- A. Wood: Shall be FAS grade, kiln dried, solid maple or red oak with moisture content of 5-9%.
B. Forest Stewardship Council (FSC) Wood: Shall be kiln dried solid FSC Ash.
C. Stainless Steel

1. Stainless steel brackets returns and corners shall be type 201 stainless steel with a brushed finish or a powder coat finish.
2. Stainless steel wall guard shall be manufactured from type 304 stainless steel.

- C. Zinc bracket adapters shall be cast from zinc.
D. Molded Vinyl: Bracket components shall be made of injection mold grade, chemical and stain resistant polyvinyl chloride.

- 2.05 COMPONENTS

- A. Handrail returns and corners

1. Solid wood and a finish to match handrails.
 2. Cast stainless steel with a brushed #4 satin finish.
- B. Stainless steel brackets shall be #4 satin finish.
C. Wall guard shall be fabricated from type 304 stainless steel.
D. Molded bracket component shall be made of injection molded thermoplastic.

- E. Fasteners: All mounting systems accessories appropriate for substrates indicated on the drawings shall be provided.

2.06 FINISHES

- A. Wood Stain: Color of the handrail wall guard to be selected, by the architect, from the IPC stain selec-

tion.

- B. Wood Finish: Handrail shall be finished with low-VOC water based UV finish.

C. Stainless Steel

1. Bracket Color: Color of the stainless steel bracket to be selected by the architect from the solid color metal tone color palette.

2. Wall Guard: Stainless steel wall guard shall have a #4 satin finish.

- D. Molded Bracket Components: Molded bracket components shall be of a color matching the wall guard. Surface shall have a pebble texture.

PART 3 EXECUTION

3.01 INSTALLERS

- A. Installer should be familiar with the installation of fine finished wood products.

3.02 EXAMINATION

- A. Examine areas and conditions in which handrail will be installed.

1. Complete all finishing operations, including painting, before beginning installation of handrail system materials.

2. Wall surface shall be dry and free from dirt, grease and loose paint.

3.03 PREPARATION

- A. General: Prior to installation, clean substrate to remove dust, debris and loose particles.

3.04 INSTALLATION

- A. General: Locate the handrail as indicated on the approved detail drawing for the appropriate substrate and in compliance with the IPC installation instructions. Install handrail level and plumb at the height indicated on the drawings.

3.05 CLEANING

- A. At completion of the installation, clean surfaces in accordance with the IPC clean-up and maintenance instructions.

