

Bi-Way™

Swing and Fold ICU/CCU Door System



Revolutionary Design Offers Unobstructed Hallways

Clear, unobstructed hallways are essential for hospital intensive care and critical care units. Now Besam's revolutionary Bi-Way door utilizes a new design which does not obstruct hallways.

Most doors traditionally used in ICU and CCU areas are cumbersome four foot sliding doors that are not only difficult to open with something in your hands, but congest hallways when pushed out to the fully opened position as well. These doors also often rely on bumpy floor tracks that are hazardous and also allow dirt and grime to accumulate.

The flexible Bi-Way design is a three panel unit that combines the benefits of both a swing and folding door, either of which can be mounted on the left or right side and can be made to open in either direction. The Bi-Way opens easily and its swing door stays in the hold-open position when pushed to 90 degrees. The large clear door opening created allows busy nurses to easily move wheelchairs, medical carts and other equipment in and out without hesitation. For further convenience, a Besam Navig-Aider can easily be retrofitted on the swing doors to make it fully automatic.



Bi-Way – Eliminate the Need for Breakout

In order to get a large enough doorway to transport patients and equipment, most sliding ICU/CCU doors come equipped with a breakout feature which allows the doors to swing in one direction and be stacked. Besam's Bi-Way

eliminates the need for a breakaway feature. By simply opening the bi-fold door and swing door, a clear door opening is achieved in seconds. Equipment can now easily be moved through the doorway.

Compare the Bi-Way to traditional sliding ICU/CCU door packages.



Traditional ICU Sliding Door

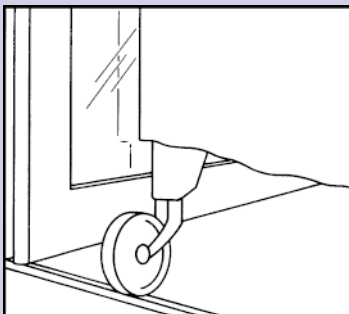
Most sliding ICU doors need to swing out in one direction ... and then be stacked to one side.



Besam's Bi-Way

By simply opening the bi-fold door and swing door, a clear door opening is achieved in seconds.

Conveniences which make Besam's Bi-Way the right choice.



Traditional ICU Sliding Door

Traditional sliding door units have tracks in the floor which can become an obstacle when moving patients and equipment. Besam's Bi-Way requires no floor tracks and therefore no obstacles in the doorway. It's more convenient to use than traditional sliding door ICU/CCU packages.



Besam's Bi-Way

It's hard to use a sliding ICU/CCU door when your hands are full. With the Bi-Way, you need only push open the swing door and you've got easy access into the room. It's simple and convenient. Or automate the swing door for even greater convenience.

Customized to Fit Your Needs

Bi-Way can be customized to any application you may have:

- Doors fold to the interior, on the left side
- Doors fold to the exterior, on the left side
- Doors fold to the interior, on the right side
- Doors fold to the exterior, on the right side

- The double acting swing door can be swung in either direction, allowing maximum flexibility.
- Special feature: door automation to the swing door. The swing door can easily be automated to swing in one direction with Besam's Navig-Aider, automatic swing door operator.

Ask to see our Bi-Way video.



1900 Airport Road • Monroe, NC 28110
Phone: 866-BESAM-US • Fax: 704-290-5555
Web: www.besam.com
E-mail: marketing@besam-usa.com

Besam Worldwide Plant and Sales Offices

Australia • Austria • Belgium • Canada • China
Czech Republic • Denmark • Finland • France • Germany
Hungary • Italy • Mexico • Netherlands • Poland • Portugal
Singapore • Spain • Sweden • United Kingdom • United States

Besam Distributors

For the name and address of your Besam Distributor, please call 1-866-BESAM-US.

Besam Support Services

For 24 hour-a-day service, contact 1-877-BESAM-US

Besam follows a policy of advancements in development. For this reason, specifications may be changed without notice.

Bi-Way™ is a registered trademark of Besam, Inc. and may not be used without permission.

© Copyright 2004 Besam Automated Entrance Systems, Inc.

Printed in USA