



GoldPlus™

Latex Waterproofing and Antifracture Membrane

**Roller-applied
for easy application**

**Exceeds ANSI
A118.10 and A118.12
waterproofing and
crack isolation
specifications**

**1-hour drying time
for fast installation**

**LEED compliant:
Low odor, low VOC
formulation**

**Bostik's Blockade™
antimicrobial protection**

**24-hour flood test for a
shorter installation process**

Description

GoldPlus™ is a ready-to-use, roller-applied, latex waterproofing and anti-fracture membrane for use beneath thin set ceramic tile installations on vertical and horizontal surfaces. GoldPlus exceeds the requirements of ANSI A118.10 (specification for waterproof membranes beneath thin set tile and stone) and ANSI A118.12 specification for crack isolation membranes.

Use GoldPlus in commercial or residential applications. Apply over concrete, cement block walls, cement backer board, exterior grade plywood (interior, dry installations only) and mortar beds.

This product contains Bostik's Blockade™ antimicrobial protection, which inhibits the growth of bacteria, mold or mildew on the surface of the dried membrane; the dried membrane resists stains caused by mold.

Product Uses

Use to prevent tile cracking caused by the shrinkage of new concrete slabs and to prevent cracks up to 1/8" from transferring through tile or stone. Use GoldPlus to waterproof showers, lavatories, fountains, commercial kitchens and restaurants, etc.

Surface Preparation

All wet areas must have proper slope to drains. All surfaces must be structurally sound, clean dry and free of contaminants that may interfere with proper bond.



Application

Read and understand data sheet before beginning the installation. Follow applicable ANSI, TCNA, NTCA installation specifications. Ambient temperatures must be at least 50°F. Apply with a brush, roller or trowel. When applying with a trowel, spread with the notch side (3/16" V-Notch) then flatten with the smooth side of the trowel.

Pre-treat all edges, corners, coves and where floor meets walls with a minimum of 6" on either side with a heavy coat, using a brush, roller or 3/16" V-notch trowel. Cracks up to 1/8" and gaps between plywood should be filled with the membrane. When treating cracks in concrete floors, the membrane must extend at least one tile length on either side of the crack. Recommend the use of a 2" wide fiberglass mesh tape into the fresh GoldPlus material to treat corners, coves and in-plane substrate changes.

After pre-treatment of coves and corners, apply a continuous film at 20-30 mL (thickness of a drivers license) over the remaining area. Allow it to dry for 1 hour.

Install tile or stone over the cured GoldPlus membrane with any Bostik latex-polymer modified mortar meeting ANSI A118.4.

Dry Time

GoldPlus requires 1 hour dry time at 50% RH/70°F (21°C) before installing tile or applying the second coat. Higher humidity environments will extend the dry time. The color will change from pale yellow to gold upon full cure.

Flood Testing

If flood testing is required, follow the guidelines per ASTM D5957. Allow GoldPlus to cure at least 24 hours at 70°F (21°C) and 50% RH. Actual curing time depends on air and substrate temperature, substrate porosity and humidity. Expect shorter drying times in warmer conditions and longer drying times in cooler conditions.

Coverage

45 ft²/gallon with a thickness of 30 mL wet / 20 mL dry GoldPlus layer. Coverage will vary depending on the roughness of the substrate.

Clean-up

GoldPlus is difficult to remove once it has dried. Clean all tools and equipment with soap and water before the material dries.

Limitations

- Do not freeze
- Do not apply if surface temperature will be less than 50°F within 72 hours
- Do not apply over wet surfaces or surfaces subject to hydrostatic head
- Do not use to bridge dynamic joints such as cold, control or expansion joints
- Do not use as an adhesive
- Do not use as a wearing surface
- Not intended to isolate cracks larger than 1/8" wide or those caused by excessive structural movement
- Not for use over poured gypsum concrete such as "gypcrete"
- Not for use as a vapor barrier to eliminate subfloor moisture
- Wet areas must be sloped to drain according to TCNA guidelines
- GoldPlus must have minimum dry film thickness of 20 mL (roughly the thickness of a drivers license).

Storage and Shelf Life

Store at temperatures between 50°F and 100°F. Shelf life is one year from date of manufacturing in closed, original packaging.

Re-Seal Partially Used Container: With pail upright place a sheet of plastic (e.g., trash bag) over the top of the pail. Secure lid tightly over the plastic on top of pail. Plastic will help prevent the material from bonding the lid closed.

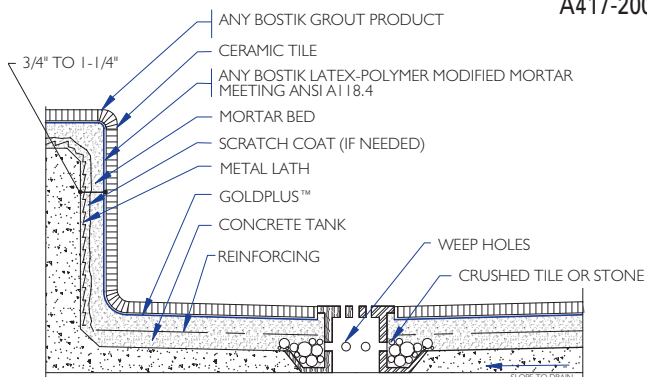
Re-open Partially Used Container: Remove lid. Carefully cut and discard cured material and plastic from top of pail. Any uncured material may be used.

Packaging

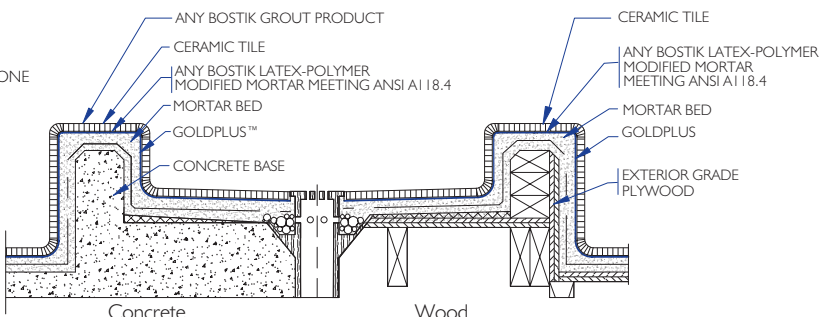
GoldPlus is available in 3.5 gallon pails and 4 x 1 gallon pails.

TILE TUBS, FOUNTAINS & CURBS—Waterproof Membrane

A417-2000

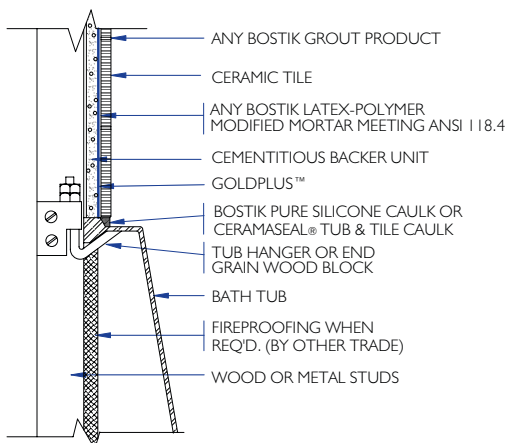


B417-2000



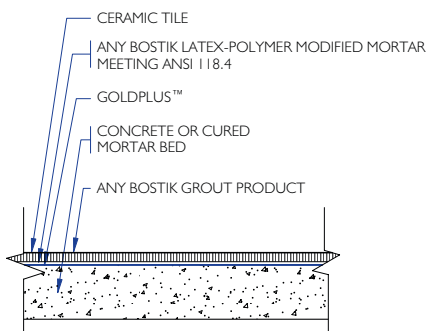
BATHTUB WALLS—Wood or Metal Studs

B412-2000



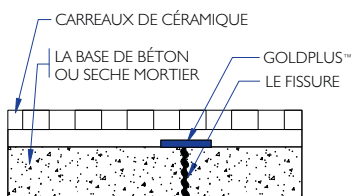
FLOORS, INTERIOR—Waterproof Membrane

F122-2000



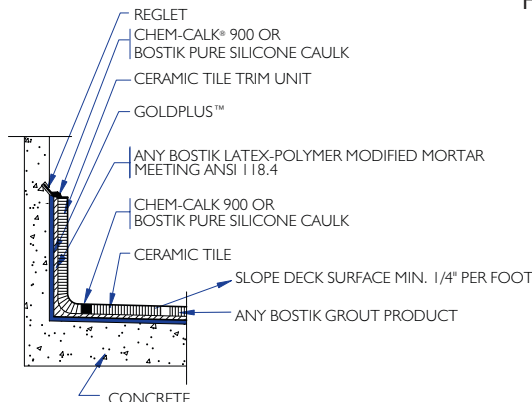
CRACK ISOLATION—Interior Crack Treatment Up to 1/8"

F125A-2000



FLOORS, EXTERIOR—Balcony Deck

F104-2000



ANSI A118.10 Test Results

TEST	RESULT	ANSI REQUIREMENT
M-4.1 Mold Growth	Does not support mold growth.	Shall not support mold growth.
M-4.3 Breaking Strength	355 psi	170 psi minimum
M-4.2 Seam Strength	30 lbs/ 2" width	6 lbs/ 2" width
M-4.5 Waterproofness	No moisture penetration @ 48 hours	No moisture penetration @ 48 hours
M-5.3 7-Day Shear Strength	205 psi	> 50 psi
M-5.5 7-Day Water Immersion	100 psi	> 50 psi
M-5.6 4-Week Shear	165 psi	> 50 psi

Proposed ANSI 118.12 Crack Isolation Specification: Pass 0.125" (1/8")

Warning: May cause eye, skin and respiratory tract irritation. Harmful if swallowed.

Precautions: Do not get material in your eyes, on your skin, or on your clothing. Use this product with adequate ventilation. Wear appropriate protective equipment to avoid contact with skin and eyes. Wash hands after handling and before eating. Store in dry, cool, well-ventilated area. Do not freeze.

First Aid: Immediately flush eyes with large amounts of water for at least 15 minutes. Get medical attention or advice. For skin contact, flush with large amounts of water. If irritation persists, contact a physician. If inhaled, immediately remove the affected person to fresh air. If symptoms develop or persist, contact a physician. If ingested seek immediate medical attention.

Fire: Dry chemical, foam, carbon dioxide, water fog.
Keep Out of the Reach of Children.

Limited Warranty

The Limited Warranty for this product can be obtained at www.bostik-us.com/resource-center/warranties or by calling 1-800-726-7845 (choose option 2, then option 2 again). TO THE MAXIMUM EXTENT ALLOWED BY LAW, BOSTIK DISCLAIMS ALL OTHER EXPRESS OR IMPLIED WARRANTIES, INCLUDING WARRANTIES OF MERCHANTABILITY AND FITNESS FOR A PARTICULAR PURPOSE, AND LIABILITY FOR DIRECT, INCIDENTAL, CONSEQUENTIAL, OR SPECIAL DAMAGES. UNLESS OTHERWISE STATED IN THE LIMITED WARRANTY, THE SOLE REMEDY FOR BREACH OF WARRANTY IS REPLACEMENT OF THE PRODUCT OR REFUND OF THE BUYER'S PURCHASE PRICE. It is the buyer's obligation to test the suitability of the product for an intended use prior to using it. Any claim for a defective product must be filed within 30 days of discovery of a problem, and must be submitted with written proof of purchase.

Bostik, Inc.
11320 W. Watertown Plank Road
Wauwatosa, WI 53226
1-800-726-7845
www.bostik-us.com

This document supersedes all previously published literature.

T68 030613