



Patterson-Williams
Since 1919

SITE FURNISHINGS

2014

PATTERSON-WILLIAMS IS PROUD TO OFFER YOU THIS
QUALITY COLLECTION OF AMERICAN MADE SITE FURNISHINGS

The Patterson-Williams commitment to quality and excellence begins with the design process and flows seamlessly through production, sales, and delivery. Our customers value the variety of aesthetically diverse site furnishings that are ideal for a wide range of public and commercial environments.

Built by experienced American craftsmen, Patterson-Williams furnishings feature materials such as steel strap, steel rod, castings, and recycled plastic. Our highly customizable furniture is finished in a super durable powder coat that will withstand harsh environmental conditions and years of use.

Patterson-Williams is committed to creating beautiful furnishings and an excellent customer experience.

Patterson-Williams



Product Directory



Color Selections & Mounting Options	Page 5
Hyde Park Collection	Pages 6-7
Eagle Creek Collection	Pages 8-9
Jackson Square Collection	Pages 10-11
Matrix Collection	Page 12
Xander Collection	Page 13
DuPont Circle Collection	Pages 14-15
Golden Gate Collection	Page 16
Fairmount Collection	Page 17
Lincoln Collection	Page 18
Forest Park Collection	Page 19
Picnic Tables	Pages 20-23
Tree Guards	Page 24
Benches	Pages 25-37
Grills	Page 38
Trash Receptacles	Pages 39-42
Recycling Receptacles	Page 43
Ash Receptacles	Page 44
Bike Racks	Pages 45-50
Bollards	Page 50
Terms & Warranty Information	Page 51





Patterson-Williams Site Furnishings are designed and built to stand up beautifully to the elements and daily public use.



Heavy Duty Steel, Stainless Steel Hardware, and Super Durable Powder Coat Finishes ensure that Patterson-Williams products will be beautiful for years to come. All of our pieces represent an investment in quality, the best of the best.

Designs ranging from classic to contemporary provide our clients with a wide assortment of styles from which to choose. Each public space has a definite design aesthetic...classic, modern, minimalistic. There is a Patterson-Williams collection ideal for each space.



Handcrafted in the United States, Patterson-Williams furnishings are made by craftsmen who will accept nothing but the highest quality materials, workmanship, and product. We believe, like you, that placing American-made products in America's public spaces strengthens our country and its economy.

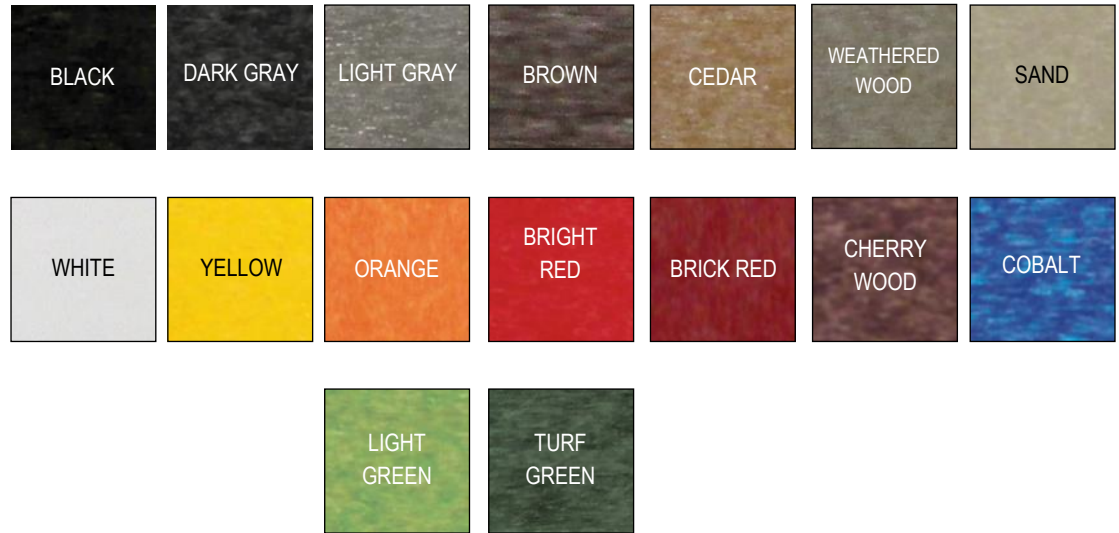
Facilities in the Southwest and Midwest help us keep freight charges to our clients as reasonable as possible and allow us to efficiently and quickly ship furnishings all across the country.



You want, and deserve, the best site furnishings for your project. With Patterson-Williams, you receive the highest quality product and an excellent customer service experience.

Color Selections

Recycled Plastic Plank Colors



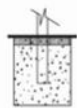
Super Durable Powder Coat Colors



Also available in WHITE and WHITE RIDGE (textured). Ask about custom colors and textures (surcharges will apply).

MOUNTING OPTIONS

When applicable to the products you are ordering, please select your preferred mounting option and include the model option to the end of the model of your product.



M1
Permanent
Mount



M2
Portable



M3 Round
Surface Mount



M4 Rectangle
Surface Mount

Optional Designer Plate
Cover for M1 or M3



DC1
1 piece
\$25 per post



DC2
2 piece
\$50 per post



Model 3150 Model 3107-06

Featuring a sleek, contemporary aesthetic appeal and designed for comfort, durability, and value, site furnishings in the Hyde Park collection are ideal for a wide variety of projects.

Legs/End Frames:	3/8" x 2" heavy duty steel strap
Seats/Backs/Table Tops/Sides:	1/4" x 1-1/2" heavy duty steel strap
Bench Understructure:	1-5/8" O.D. heavy duty steel
Table/Picnic Bench Understructure:	1-7/8" O.D. heavy duty steel
Receptacle Rings:	3/4" solid steel rod
Finish:	Super durable powder coat
Colors (page 5):	26 powder coat colors

Hyde Park Collection

Model	Description	Weight	Price
3107-06	6' long bench with back	233 lbs.	\$908
3107-08	8' long bench with back	249 lbs.	\$1,382
3107-ARM	Optional center arm rest for bench		\$62
3104-06	6' long backless bench	133 lbs.	\$695
3104-08	8' long backless bench	149 lbs.	\$959
3104-ARM	Optional arm rest for backless bench		\$62

All Hyde Park Models are Surface Mounted. Please select powder coat color when ordering.



Model 3120-06



Model 3150



Model 3350



Model 3104-06

Model	Description	Weight	Price
3120-06	Table and (2) backless benches, 6' long	465 lbs.	\$1,700
3120-08	Table and (2) backless benches, 8' long	864 lbs.	\$1,983
3120-ADA	8' table and (2) 6' long backless benches	800 lbs.	\$1,983
3150	Top opening litter receptacle with 32 gallon liner	140 lbs.	\$704
3150-SH	Side opening litter receptacle with 32 gallon liner	140 lbs.	\$818
3350	Ash receptacle	34 lbs.	\$450

All Hyde Park Models are Surface Mounted. Please select powder coat color when ordering.



Model 3201-06

The remarkably striking pieces of the Eagle Creek collection are as durable as they are beautiful. They are ideal for high-traffic facilities wishing to make a strong visual statement.

- Legs/End Frames: 1-1/2" x 1-1/2" cast aluminum
- Seats/Backs/Table Tops/Sides: 1/2" O.D. steel rod
- Understructure: 1-3/8" O.D. heavy duty steel bar
- Picnic Table & Bench Understructure: 2-3/8" O.D. heavy duty steel tube w/1-3/8" O.D. steel tube cross braces
- Picnic Table & Bench Legs: 3/8" x 2" steel bar
- Round Receptacle Top/Bottom: 3/4" O.D. solid steel rod
- Finish: Super durable powder coat
- Colors (page 5): 26 powder coat colors



Model 3255

Eagle Creek Collection

Model	Description	Weight	Price
3201-06	6' long bench with back	226 lbs.	\$1,013
3201-08	8' long bench with back	249 lbs.	\$1,332
3201-AR	Optional arm rest for bench with back		\$62
3205-06	6' long backless bench with arm rest	149 lbs.	\$908
3205-08	8' long backless bench with arm rest	162 lbs.	\$1,332
3225-06	6' long backless bench without arm rest	107 lbs.	\$681
3225-08	8' long backless bench without arm rest	141 lbs.	\$765

All Eagle Creek Models are Surface Mounted. Please select powder coat color when ordering.



Model 3220-06 and Model 3250



Model 3225



Model 3205



Model 1307-ROD

Model	Description	Weight	Price
3220-06	Table and (2) backless benches, 6' long	430 lbs.	\$1,700
3220-08	Table and (2) backless benches, 8' long	750 lbs.	\$1,983
3220-ADA	8' table and (2) 6' long backless benches	750 lbs.	\$1,983
3250	Round top opening litter receptacle with 32 gallon liner	127 lbs.	\$681
3250-SH	Round side opening litter receptacle with 32 gallon liner	127 lbs.	\$796
1307-ROD	Square top opening litter receptacle with 32 gallon liner	265 lbs.	\$877
1307-ROD-SH	Square side opening litter receptacle with 32 gallon liner	265 lbs.	\$929
3255	Ash receptacle	70 lbs.	\$457

All Eagle Creek Models are Surface Mounted. Please select powder coat color when ordering.



Model 3111-06

The graceful, gentle curve of the Jackson Square bench makes a classic and elegant statement. Partnered with coordinating pieces, the collection features durable construction, built to last for years and years.

- Legs/End Frames: 1-1/2" x 1-1/2" cast aluminum
- Seats/Backs/Sides: 1/4" x 1-1/2" heavy duty steel strap
- Understructure: 1-5/8" heavy duty steel
- Receptacle Rings: 3/4" O.D. solid steel rod
- Finish: Super durable powder coat
- Colors (page 5): 26 powder coat colors



Model 3111-08

Jackson Square Collection

Model	Description	Weight	Price
3111-06	6' long bench with arched back	210 lbs.	\$1,129
3111-08	8' long bench with arched back	264 lbs.	\$1,281
3111-ARM	Optional center arm rest for bench		\$62
3113-06	6' long backless bench	187 lbs.	\$961
3113-08	8' long backless bench	199 lbs.	\$1,213

All Jackson Square Models are Surface Mounted. Please select powder coat color when ordering.



Model 3350

Model 3150-SH



Model 3113-08

Model	Description	Weight	Price
3150	Top opening litter receptacle with 32 gallon liner	140 lbs.	\$704
3150-SH	Side opening litter receptacle with 32 gallon liner	140 lbs.	\$818
3350	Ash receptacle	34 lbs.	\$450

All Jackson Square Models are Surface Mounted. Please select powder coat color when ordering.



Model 1405



Model 3195



Model 3196

Nicknamed the “floating bench” by our designers and craftsmen, the two-legged version of this bench appears to defy gravity.

The four-legged design allows you to surface mount this contemporary masterpiece.

- Legs/Frames: 2-3/8” O.D. heavy duty steel tube
- Understructure: 1-3/8” O.D. heavy duty steel
- Seats/Backs: 1-1/2” x 1/4” steel strap OR 2” x 4” recycled plastic plank
- Finish: Super durable powder coat
- Colors (page 5): 26 powder coat colors
16 recycled plastic colors

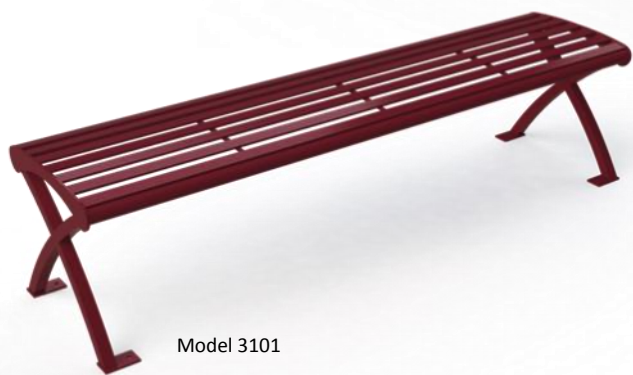
Matrix Collection

Model	Description	Weight	Price
3195-06	6’ long steel strap bench with two legs, IN-GROUND MOUNT ONLY	385 lbs.	\$725
3195-08	8’ long steel strap bench with two legs, IN-GROUND MOUNT ONLY	394 lbs.	\$807
3196-06	6’ long steel strap bench with four legs, In-ground or Surface Mount	410 lbs.	\$744
3196-08	8’ long steel strap bench with four legs, In-ground or Surface Mount	418 lbs.	\$802
1405-06	6’ long recycled plastic bench with two legs, IN-GROUND MOUNT ONLY	357 lbs.	\$812
1405-08	8’ long recycled plastic bench with two legs, IN-GROUND MOUNT ONLY	394 lbs.	\$997
1406-06	6’ long recycled plastic bench with four legs, In-Ground or Surface Mount	382 lbs.	\$857
1406-08	8’ long recycled plastic bench with four legs, In-Ground or Surface Mount	418 lbs.	\$1,045

Matrix models are in ground or surface mounted as indicated. Please select powder coat color, recycled plastic plank color, & mounting preference when ordering.



Model 3102



Model 3101

A subtle curve and clean lines lend the Xander collection a feeling of sleek sophistication.

- Legs: 1-1/4" x 1-1/4" solid square bar
- Understructure: 1-5/8" O.D. heavy duty steel tube
- Seats/Backs: 1/4" x 1-1/2" steel strap
- Finish: Super durable powder coat
- Colors (page 5): 26 powder coat colors

Xander Collection

Model	Description	Weight	Price
3102-06	6' steel strap bench with back	188 lbs.	\$610
3102-08	8' steel strap bench with back	240 lbs.	\$744
3101-06	6' steel strap backless bench	115 lbs.	\$382
3101-08	8' steel strap backless bench	141 lbs.	\$496

Xander models can be surface or in-ground mounted. Please select powder coat color & mounting preference when ordering.



Model 1304-06

Stylishly blending the beauty of faux wood and the strength of steel, DuPont Circle pieces offer the best of both worlds.

- Legs/Understructure: 2" x 2" square steel tube
- Seats/Backs/Sides: 2" x 4" recycled plastic plank
- Ash Receptacle Top: 1-1/2" x 1-1/2" square steel tube
- Finish: Super durable powder coat
- Colors (page 5): 26 powder coat colors
16 recycled plastic plank colors



Model 1303

DuPont Circle Collection

Model	Description	Weight	Price
1304-06	6' long bench with back	192 lbs.	\$828
1304-08	8' long bench with back	212 lbs.	\$898
1304-AR	Optional arm rest for bench with back		\$62
1303-06	6' long backless bench	114 lbs.	\$524
1303-08	8' long backless bench	127 lbs.	\$566
1303-AR	Optional arm rest for backless bench		\$62
1351	Ash receptacle	90 lbs.	\$566

All DuPont Circle models are Surface Mounted. Please select powder coat color and recycled plastic plank color when ordering.



Model 1307-RCP-SH

Model 1302 and Model 1351



Model 1302B



Model 1308-RCP

Model	Description	Weight	Price
1302-06	Table and (2) backless benches, 6' long	438 lbs.	\$1,469
1302-06B	Table and (2) benches with backs, 6' long	594 lbs.	\$1,927
1302-08	Table and (2) backless benches, 8' long	489 lbs.	\$1,584
1302-08B	Table and (2) benches with backs, 8' long	659 lbs.	\$2,151
BENCH ARMS	Bench Arms for either bench in this set (PER BENCH)		\$62
1307-RCP-SH	33-3/4" tall x 26-3/4" wide Square Trash Receptacle (with Side Entry)	277 lbs.	\$1,059
1308-RCP	44-1/2" tall x 38" wide x 26-5/8" depth Recycling Receptacle	317 lbs.	\$1,788

All DuPont Circle models are Surface Mounted. Please select powder coat color and recycled plastic plank color when ordering.



Model 1111

The Golden Gate bench collection is a wonderful marriage of exotic beauty and sleek strength.

- Understructure: 2"x3" heavy duty steel angle with 1-3/8" O.D. steel tube
- Legs: 2-7/8" O.D. heavy duty steel tube
- End Frame: 5-9/16" O.D. heavy duty steel tube
- Seats/Backs: 2"x4" recycled plastic plank
- Finish: Super durable powder coat
Recycled plastic plank
- Colors (page 5): 26 powder coat colors
16 recycled plastic colors



Model 1110-08

Golden Gate Collection

Model	Description	Weight	Price
1111-06	6' long bench with back	215 lbs.	\$1,133
1111-08	8' long bench with back	275 lbs.	\$1,244
1110-06	6' long backless bench	150 lbs.	\$761
1110-08	8' long backless bench	200 lbs.	\$902

Golden Gate models may be Surface Mounted or In-Ground Mounted. Please select powder coat color and recycled plastic plank color when ordering.



Model 1112



Model 1115-08

Rugged, substantial, strong...the Fairmount collection features recycled wood and heavy duty steel construction.

- Seats/Backs: 4" x 4" recycled plastic plank
- Legs: 2-7/8" O.D. heavy duty steel tube
- Understructure: 2-7/8" O.D. heavy duty steel tube
- Finish: Super durable powder coat
Recycled plastic plank
- Colors (page 5): 26 powder coat colors
16 recycled plastic colors

Fairmount Collection

Model	Description	Weight	Price
1112-06	6' long bench with back	215 lbs.	\$772
1112-08	8' long bench with back	254 lbs.	\$908
1115-06	6' long backless bench	132. lbs.	\$555
1115-08	8' long backless bench	151 lbs.	\$629

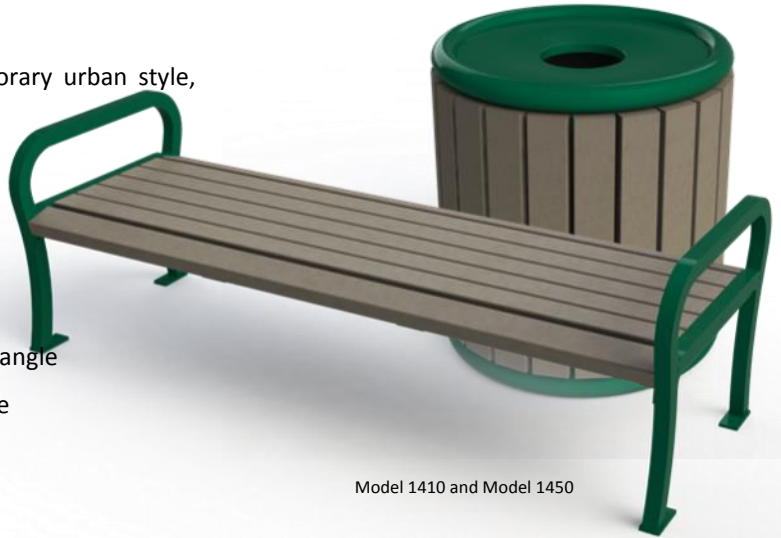
Fairmount models may be Surface Mounted or In-Ground Mounted. Please select powder coat color and recycled plastic plank color when ordering.



Model 1400

The Lincoln collection lends a rustic edge to a contemporary urban style, making it ideal for city parks and trails.

- Legs/End Frames: 1-1/2" x 1-1/2" cast aluminum
- Seats/Backs/Sides: 2" x 4" recycled plastic plank
- Understructures: 1-3/8" heavy duty steel OR 3/16" and 3/8" heavy duty steel angle
- Receptacle Ring: 2-3/8" O.D. heavy duty steel tube
- Finish: Super durable powder coat
Recycled plastic plank
- Colors (page 5): 26 powder coat colors
16 recycled plastic plank colors



Model 1410 and Model 1450

Lincoln Collection

Model	Description	Weight	Price
1400-06	6' long bench with back	355 lbs.	\$1,017
1400-08	8' long bench with back	385 lbs.	\$1,108
1410-06	6' long backless bench	210 lbs.	\$849
1410-08	8' long backless bench	240 lbs.	\$944
1450	Top opening litter receptacle with 32 gallon liner	211 lbs.	\$793
1450-SH	Side opening litter receptacle with 32 gallon liner	211 lbs.	\$907

All Lincoln models are Surface Mounted. Please select powder coat color and recycled plastic plank color when ordering.



Model 1113



Model 1150

Austere in nature and affordable in price, the Forest Park collection is strong enough to withstand high use and hostile weather.

- Legs: 2-7/8" O.D. heavy duty steel tube
- Seats/Backs: 3" x 4" recycled plastic plank
- Sides: 2" x 4" recycled plastic plank
- Understructure: 3/8" x 4" heavy duty steel bar
- Receptacle Frame: 3/8" x 2" heavy duty steel bar
- Finish: Super durable powder coat
Recycled plastic plank
- Colors (page 5): 26 powder coat colors
16 recycled plastic colors

Forest Park Collection

Model	Description	Weight	Price
1113-04	4' long bench with back	190 lbs.	\$630
1113-06	6' long bench with back	210 lbs.	\$677
1113-08	8' long bench with back	275 lbs.	\$734
1113-AR	Optional arm rest for end of bench with back		\$62
1150	Top opening litter receptacle with 32 gallon liner	107 lbs.	\$492

Forest Park benches may be Surface or In-Ground Mounted. Please select powder coat color, recycled plastic plank color, and mounting option when ordering.

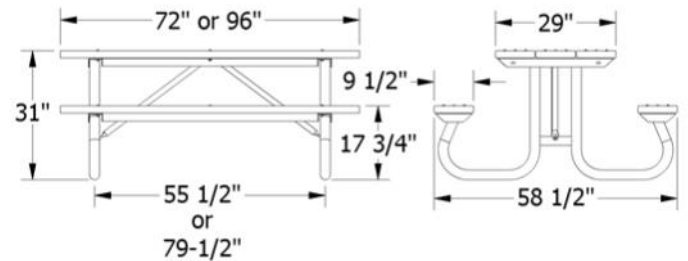
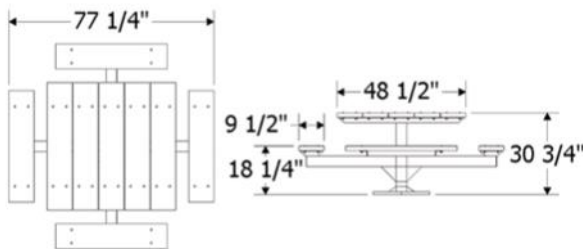


Model 3220



Model 1120

Picnic Tables



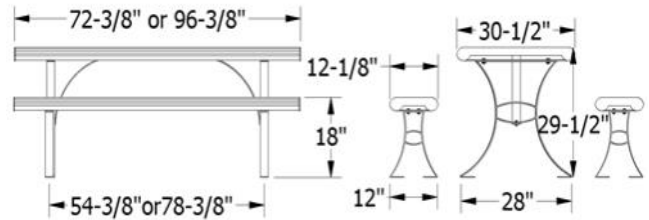
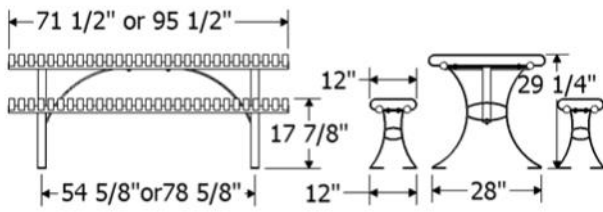
Model 1144

Seat/Table Top:	2" x 10" recycled plastic planks		
Understructure:	4" x 4" heavy duty steel tube seat arms w/2" x 4" steel tube seat and table top supports		
Center Post:	4" x 4" heavy duty steel post		
Hardware:	Stainless steel		
Finish:	Super durable powder coat		
Colors:	26 powder coat colors (page 5) 16 recycled plastic colors (page 5)		
Mounting:	Surface or In-Ground		
1144-04	4' long	426 lbs.	\$1,448
1144-04-ADA	Modification		(\$50)
Surface Mount Option			\$89

Model 1120

Seat/Table Top:	2" x 10" recycled plastic planks		
Understructure:	2-3/8" heavy gauge aluminum		
Legs:	2-3/8" galvanized steel tube		
Hardware:	Stainless steel		
Finish:	Super durable powder coat		
Colors:	26 powder coat colors (page 5) 16 recycled plastic colors (page 5)		
Mounting:	Portable (anchors available)		
1120-06	6' long	250 lbs.	\$954
1120-08	8' long	325 lbs.	\$1,066
1120-04-ADA	Modification		(\$54)

Picnic Tables



Model 3120

Seat/Table Top:	1/4" x 1-1/2" steel strap
Understructure:	1-7/8" heavy duty steel
Legs:	3/8" x 2" steel bar
Hardware:	Stainless steel
Finish:	Super durable powder coat
Colors:	26 powder coat colors (page 5)
Mounting:	Surface

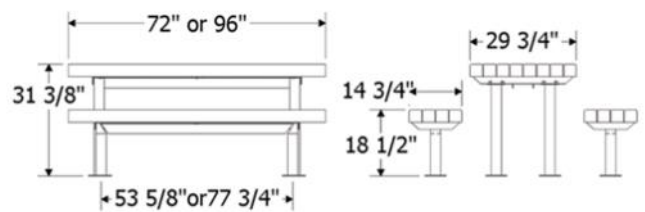
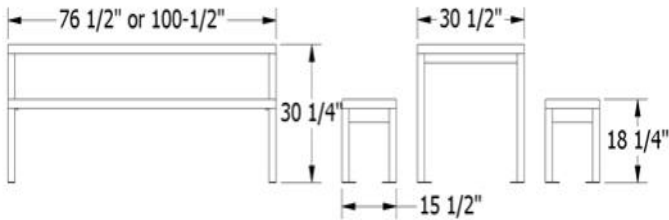
3120-06	6' long	465 lbs.	\$1,700
3120-08	8' long	864 lbs.	\$1,983
3120-ADA08	8' table/6' benches		\$1,983

Model 3220

Seat/Table Top:	1/2" OD solid steel rod
Understructure:	2-3/8" heavy duty steel tube with 1-3/8" steel tube cross braces
Legs:	3/8" x 2" steel bar
Hardware:	Stainless steel
Finish:	Super durable powder coat
Colors:	26 powder coat colors (page 5)
Mounting:	Surface

3220-06	6' long	430 lbs.	\$1,700
3220-08	8' long	750 lbs.	\$1,983
3220-ADA08	8' table/6' benches		\$1,983

Picnic Tables



Model 1302

Model 1126

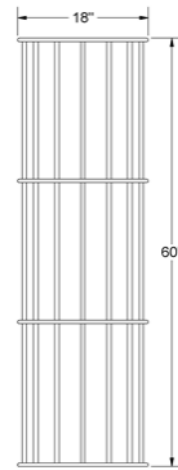
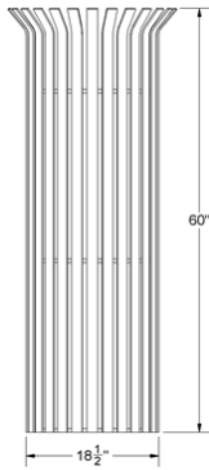
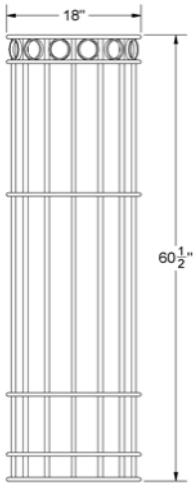
Seat/Table Top:	2" x 4" recycled plastic plank
Understructure:	2" x 2" square steel tube
Legs:	2" x 2" square steel tube
Hardware:	Stainless steel
Finish:	Super durable powder coat
Colors:	26 powder coat colors (page 5) 16 recycled plastic colors (page 5)
Mounting:	Surface

Seat/Table Top:	4" x 4" recycled plastic plank
Understructure:	2" x 3" heavy duty steel angle
Legs:	2-7/8" OD heavy duty steel tube
Hardware:	Stainless steel
Finish:	Super durable powder coat
Colors:	26 powder coat colors (page 5) 16 recycled plastic colors
Mounting:	Surface or In-Ground

1302-06	w/o Back	6' long	438 lbs.	\$1,469
1302-06B	w/Back	6' long	594 lbs.	\$1,927
1302-08	w/o Back	8' long	489 lbs.	\$1,584
1302-08B	w/Back	8' long	659 lbs.	\$2,151
1302-ADA	8' table w/6' backless benches			\$1,584
1302-ADA8	8' table w/6' benches w/backs			\$2,151

1126-06	6' long	510 lbs.	\$1,586
1126-08	8' long	643 lbs.	\$1,874
1126-ADA08	8' table/6' benches		\$1,874

Tree Guards



Model 3260

Model 3160

Model 3261

Crown: 2-7/8" tube & 1/2" OD solid rod
 Sides: 1/2" OD solid rod
 Rings: 1/2" OD solid rod
 Finish: Super durable powder coat
 Colors: 26 powder coat colors (page 5)
 Mounting: Surface

Sides: 1/4" x 1-1/2" flat bar
 Rings: 1/2" OD solid rod
 Finish: Super durable powder coat
 Colors: 26 powder coat colors (page 5)
 Mounting: Surface

Sides: 1/2" OD solid rod
 Rings: 1/2" OD solid rod
 Finish: Super durable powder coat
 Colors: 26 powder coat colors (page 5)
 Mounting: Surface

3260-18 60" H 71 lbs. \$470

3160-18 60" H 162 lbs. \$470

3261-18 60" H 39 lbs. \$353



Lincoln Collection

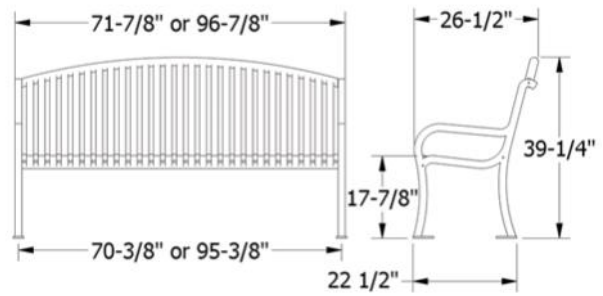
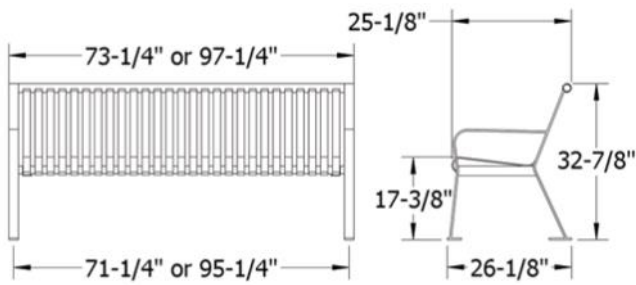


Model 1400



Model 1118

Benches



Model 3107

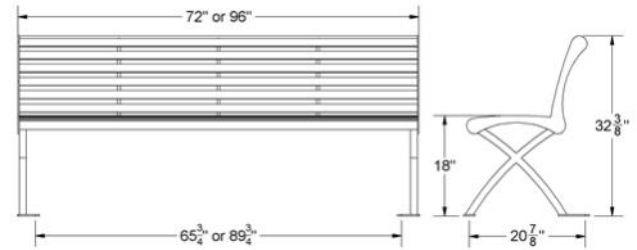
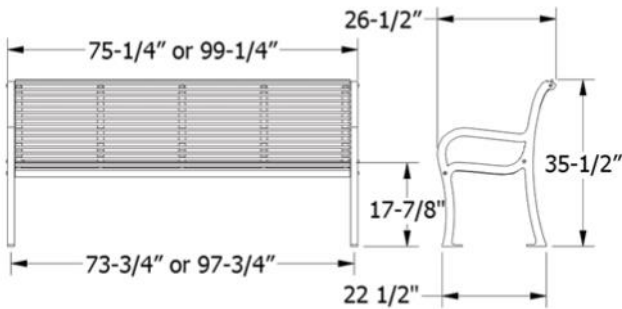
Model 3111

Seat & Back:	1-1/2" x 1/4" steel strap		
Top:	1-7/8" heavy duty steel		
Understructure:	1-5/8" heavy duty steel bar		
End Frames:	3/8" x 2" steel bar		
Hardware:	Stainless steel		
Finish:	Super durable powder coat		
Colors:	26 powder coat colors (page 5)		
Mounting:	Surface		
3107-06	6' long	233 lbs.	\$908
3107-08	8' long	249 lbs.	\$1,382
3107-ARM	Arm rest for center		\$62

Seat & Back:	1-1/2" x 1/4" steel strap		
Top:	1-7/8" heavy duty steel		
Understructure:	1-5/8" heavy duty steel bar		
End Frames:	1-1/2" cast aluminum		
Hardware:	Stainless steel		
Finish:	Super durable powder coat		
Colors:	26 powder coat colors (page 5)		
Mounting:	Surface		
3111-06	6' long	210 lbs.	\$1,129
3111-08	8' long	264 lbs.	\$1,281
3111-ARM	Arm rest for center		\$62



Benches



Model 3201

- Seat & Back: 1/2" OD solid steel rod
- Top: 1-5/8" heavy duty steel
- Understructure: 1-5/8" heavy duty steel bar
- End Frames: 1-1/2" cast aluminum
- Hardware: Stainless steel
- Finish: Super durable powder coat
- Colors: 26 powder coat colors (page 5)
- Mounting: Surface

3201-06	6' long	226 lbs.	\$1,013
3201-08	8' long	249 lbs.	\$1,332
3201-ARM	Arm rest for center		\$62

Model 3102

- Seat & Back: 1-1/2" x 1/4" steel strap
- Understructure: 1-5/8" OD heavy duty steel tube
- Legs: 1-1/4" x 1-1/4" solid square bar
- Hardware: Stainless steel
- Finish: Super durable powder coat
- Colors: 26 powder coat colors (page 5)
- Mounting: Surface or In-Ground

3102-06	6' long	188 lbs.	\$610
3102-08	8' long	244 lbs.	\$745

Benches



Model #1405



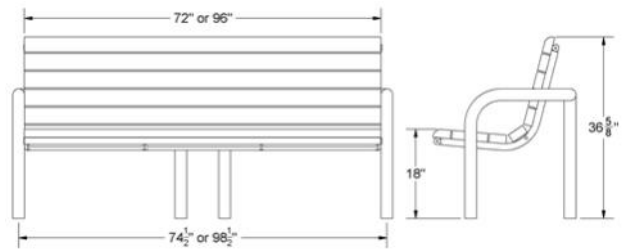
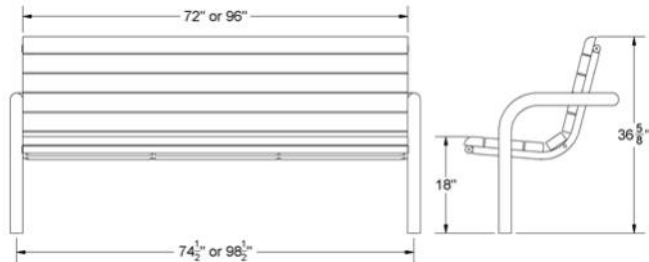
Model #3196



Model #3195



Model #1406



Model 3195 and 1405

Seat & Back:	1-1/2" x 1/4" steel strap (#3195) 2" x 4" recycled plastic (#1405)
Legs:	2-3/8" OD heavy duty steel tube
Understructure:	1-3/8" OD heavy duty steel tube
Hardware:	Stainless steel
Finish:	Super durable powder coat
Colors:	26 powder coat colors (page 5) 16 recycled plastic colors
Mounting:	In-Ground

3195-06	6' long	385 lbs.	\$725
3195-08	8' long	394 lbs.	\$807
1405-06	6' long	357 lbs.	\$812

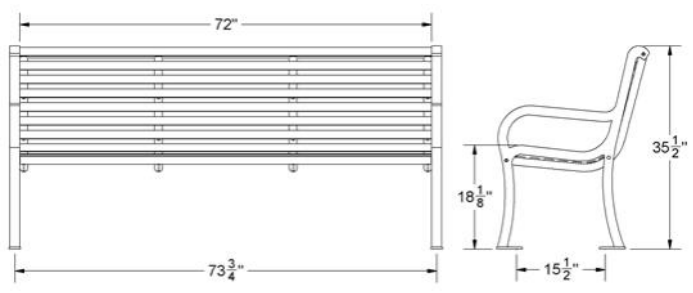
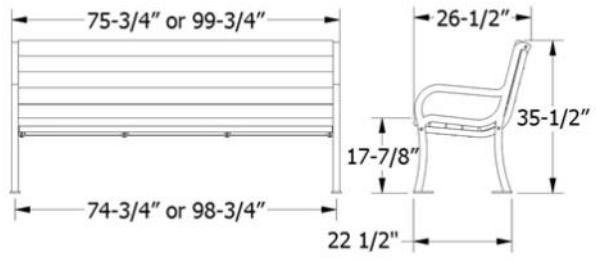
Model 3196 and 1406

Seat & Back:	1-1/2" x 1/4" steel strap (#3196) 2" x 4" recycled plastic (#1406)
Legs:	2-3/8" OD heavy duty steel tube
Understructure:	1-3/8" OD heavy duty steel tube
Hardware:	Stainless steel
Finish:	Super durable powder coat
Colors:	26 powder coat colors (page 5) 16 recycled plastic colors
Mounting:	Surface or In-Ground

3196-06	6' long	410 lbs.	\$744
3196-08	8' long	418 lbs.	\$802
1406-06	6' long	382 lbs.	\$857



Benches



Model 1400

Model 3190

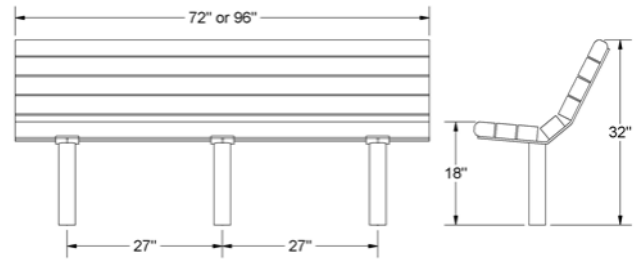
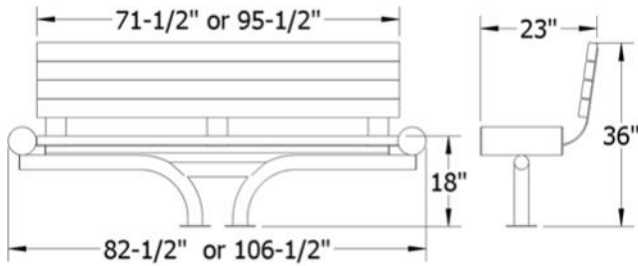
Seat & Back:	2" x 4" recycled plastic
Top:	1-3/8" heavy duty steel
Understructure:	1-3/8" heavy duty steel
End Frames:	1-1/2" cast aluminum
Hardware:	Stainless steel
Finish:	Super durable powder coat
Colors:	26 powder coat colors (pg 5) 16 recycled plastic colors (pg 5)
Mounting:	Surface

Seat & Back:	1-1/2" x 1/4" steel strap
Top:	1-3/8" heavy duty steel
Understructure:	1-3/8" heavy duty steel
End Frames:	1-1/2" cast aluminum
Hardware:	Stainless steel
Finish:	Super durable powder coat
Colors:	26 powder coat colors (pg 5)
Mounting:	Surface

1400-06	6' long	355 lbs.	\$1,017
1400-08	8' long	385 lbs.	\$1,108

3190-06	6' long	383 lbs.	\$998
3190-08	8' long	422 lbs.	\$1,124

Benches



Model 1111

Seat & Back:	2" x 4" recycled plastic plank
Understructure:	2-3/8" heavy duty steel angle with 1-3/8" steel tube
Legs:	2-7/8" OD heavy duty steel tube
End Frames:	5-9/16" OD heavy duty steel tube
Hardware:	Stainless steel
Finish:	Super durable powder coat
Colors:	26 powder coat colors (page 5) 16 recycled plastic colors (page 5)

1111-06	6' long	215 lbs.	\$1,133
1111-08	8' long	275 lbs.	\$1,244
1111-ARM	Arm rest for center		\$62

Model 1118

Seat & Back:	2" x 4" recycled plastic (-16 & -18) 3" x 4" recycled plastic (-06 & -08)
Understructure:	4" x 3/8" heavy duty steel bar
Legs:	2-7/8" OD heavy duty steel tube
Hardware:	Stainless steel
Finish:	Super durable powder coat
Colors:	26 powder coat colors (page 5) 16 recycled plastic colors
Mounting:	Surface or In-Ground

1118-16	6' long	211 lbs.	\$564
1118-18	8' long	236 lbs.	\$722
1118-06	6' long	261 lbs.	\$701
1118-08	8' long	303 lbs.	\$832



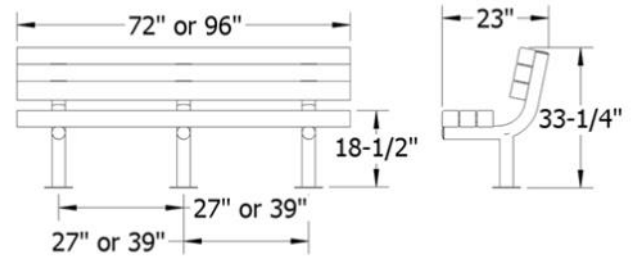
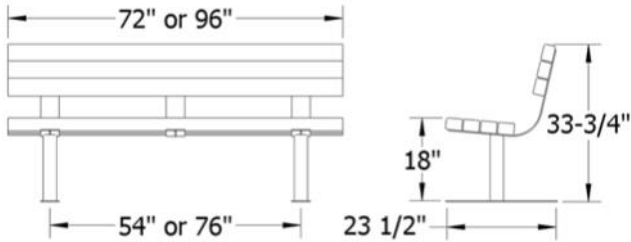
Benches



Shown with Rectangle Surface Mount



Shown with Round Surface Mount



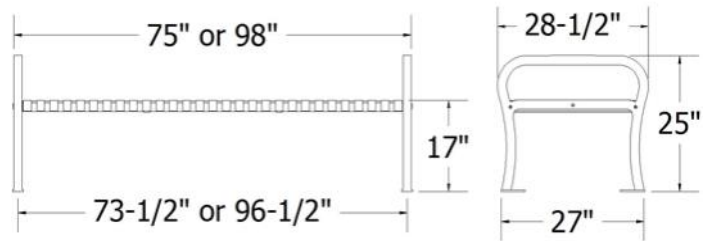
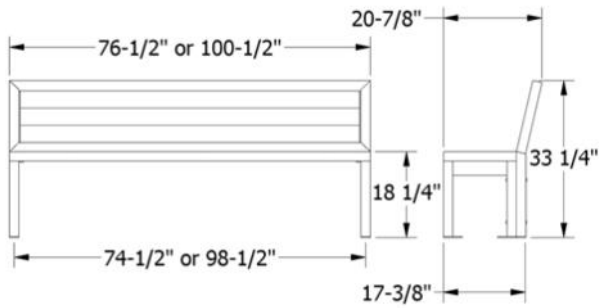
Model 1113

Model 1112

Seat & Back:	3" x 4" recycled plastic plank		
Understructure:	3/8" x 4" heavy duty steel bar		
Legs:	2-7/8" OD heavy duty steel tube w/5-9/16" OD heavy duty steel tube		
Hardware:	Stainless steel		
Finish:	Super durable powder coat		
Colors:	26 powder coat colors (page 5) 16 recycled plastic colors		
Mounting:	Surface or In-Ground		
1113-04	4' long	190 lbs.	\$630
1113-06	6' long	210 lbs.	\$677
1113-08	8' long	275 lbs.	\$734
3111-ARM	Arm rest for end or center		\$62

Seat & Back:	4" x 4" recycled plastic plank		
Understructure:	2-7/8" OD heavy duty steel tube		
Legs:	2-7/8" OD heavy duty steel tube		
Hardware:	Stainless steel		
Finish:	Super durable powder coat		
Colors:	26 powder coat colors (page 5) 16 recycled plastic colors		
Mounting:	Surface or In-Ground		
1112-06	6' long	215 lbs.	\$772
1112-08	8' long	254 lbs.	\$908

Benches



Model 1304

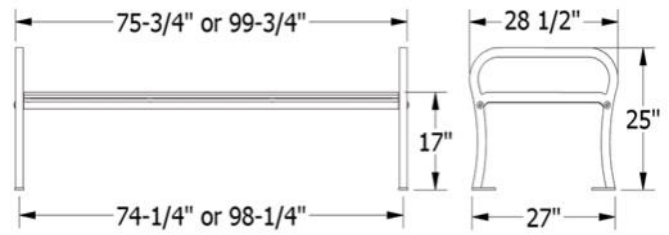
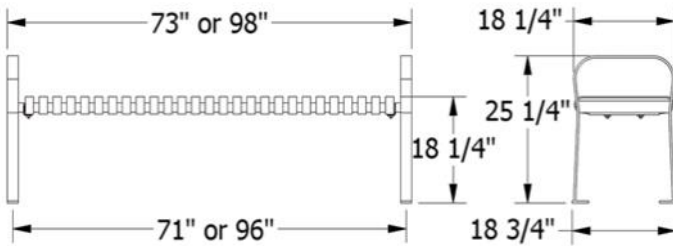
Seat & Back:	2" x 4" recycled plastic plank		
Understructure:	2" x 2" square steel tube		
Legs:	2" x 2" square steel tube		
Hardware:	Stainless steel		
Finish:	Super durable powder coat		
Colors:	26 powder coat colors (pg 5) 16 recycled plastic colors (pg 5)		
Mounting:	Surface		
1304-06	6' long	192 lbs.	\$828
1304-08	8' long	212 lbs.	\$898
1304-ARM	Arm rest for end or center		\$62

Model 3113

Seat:	1-1/2" x 1/4" steel strap		
Understructure:	1-3/8" OD heavy duty steel tube		
End Frames:	1-1/2" cast aluminum		
Hardware:	Stainless steel		
Finish:	Super durable powder coat		
Colors:	26 powder coat colors (page 5)		
Mounting:	Surface		
3113-06	6' long	187 lbs.	\$961
3113-08	8' long	199 lbs.	\$1,213



Benches



Model 3104

Model 3205

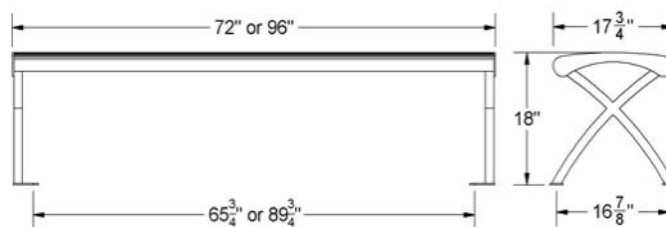
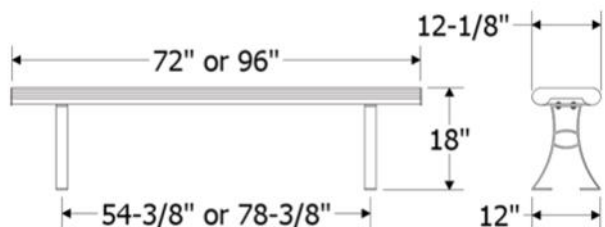
Seat:	1-1/2" x 1/4" steel strap		
Understructure:	1-5/8" OD heavy duty steel		
End Frames:	3/8" x 2" steel bar		
Hardware:	Stainless steel		
Finish:	Super durable powder coat		
Colors:	26 powder coat colors (page 5)		
Mounting:	Surface		
3107-06	6' long	233 lbs.	\$695
3107-08	8' long	249 lbs.	\$959
3107-ARM	Arm rest for center		\$62

Seat:	1/2" OD steel rod		
Understructure:	1-5/8" heavy duty steel		
End Frames:	1-1/2" cast aluminum		
Hardware:	Stainless steel		
Finish:	Super durable powder coat		
Colors:	26 Powder Coat Colors (page 5)		
Mounting:	Surface		
3205-06	6' long	149 lbs.	\$908
3205-08	8' long	162 lbs.	\$1,332

Benches



Shown with Optional Surface Mount



Model 3225

Seat:	1/2" OD steel rod
Understructure:	2-3/8" OD heavy duty steel tube w/1-3/8" steel tube cross braces
Legs:	3/8" x 2" steel bar
Hardware:	Stainless steel
Finish:	Super durable powder coat
Colors:	26 powder coat colors (page 5)
Mounting:	Surface or In-Ground

3225-06	6' long	107 lbs.	\$681
3225-08	8' long	141 lbs.	\$765

Model 3101

Seat:	1-1/2" x 1/4" steel strap
Understructure:	1-5/8" OD heavy duty steel tube
Legs:	1-1/4" x 1-1/4" solid square bar
Finish:	Super durable powder coat
Colors:	26 powder coat colors (page 5)
Mounting:	Surface or In-Ground

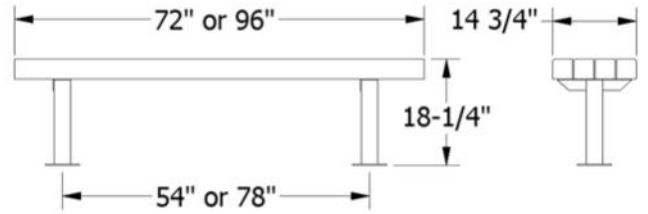
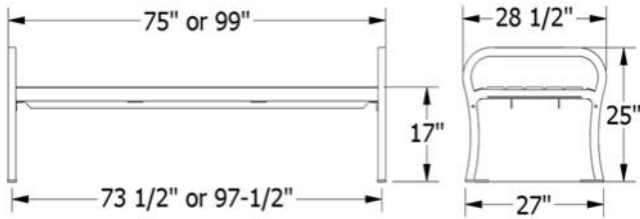
3101-06	6' long	233 lbs.	\$382
3101-08	8' long	249 lbs.	\$496



Benches



8' Model has 3 support legs



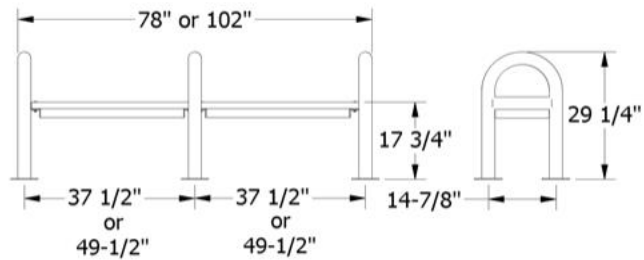
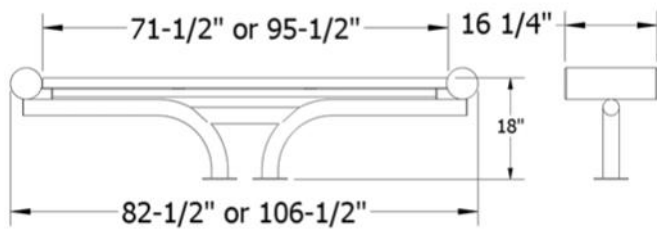
Model 1410

Model 1115

Seat:	2" x 4" recycled plastic plank		
Understructure:	3/16" & 3/8" heavy duty steel		
End Frames:	1-1/2" cast aluminum		
Hardware:	Stainless steel		
Finish:	Super durable powder coat		
Colors:	26 powder coat colors (page 5) 16 recycled plastic colors		
Mounting:	Surface		
1410-06	6' long	210 lbs.	\$849
1410-08	8' long	240 lbs.	\$944

Seat:	4" x 4" recycled plastic plank		
Understructure:	2" x 3" heavy duty steel angle		
Legs:	2-7/8" heavy duty steel tube		
Hardware:	Stainless steel		
Finish:	Super durable powder coat		
Colors:	26 powder coat colors (page 5) 16 recycled plastic colors		
Mounting:	Surface or In Ground		
1115-06	6' long	132 lbs.	\$555
1115-08	8' long	151 lbs.	\$629

Benches



Model 1110

Seat:	2" x 4" recycled plastic plank
Understructure:	2-3/8" heavy duty steel angle 1-3/8" OD steel tube
End Frames:	5-9/16" OD steel tube
Legs:	2-7/8" OD heavy duty steel tube
Hardware:	Stainless steel
Finish:	Super durable powder coat
Colors:	26 powder coat colors (page 5) 16 recycled plastic colors (page 5)
Mounting:	Surface or In-Ground

1110-06	6' long	150 lbs.	\$761
1110-08	8' long	200 lbs.	\$902

Model 1102

Seat:	2" x 10" recycled plastic plank
Understructure:	2" x 3" OD heavy duty steel angle
Legs:	2-7/8" OD heavy duty steel tube
Hardware:	Stainless steel
Finish:	Super durable powder coat
Colors:	26 powder coat colors (page 5) 16 recycled plastic colors (page 5)
Mounting:	Surface or In-Ground

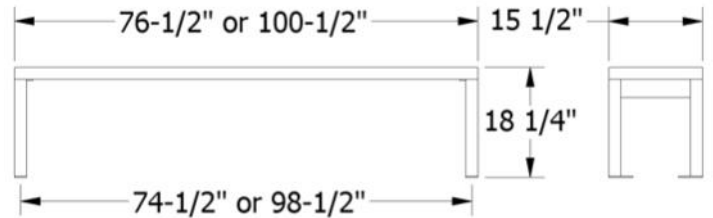
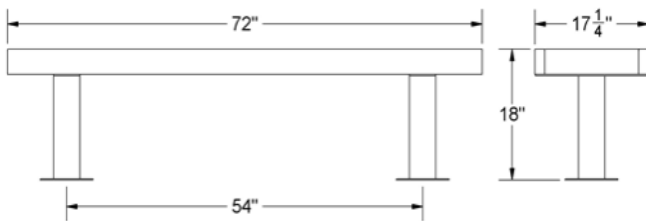
1102-06	6' long	110 lbs.	\$677
1102-08	8' long	200 lbs.	\$740



Benches



8' Model has 3 support legs



Model 1470

Seat:	1" x 4" & 2" x 4" recycled plastic
Legs:	4" x 4" square steel tube
Understructure:	3/8" x 4" heavy duty steel bar
Hardware:	Stainless steel
Finish:	Super durable powder coat
Colors:	26 powder coat colors (page 5) 16 recycled plastic colors
Mounting:	Surface or In-Ground

1470-06	6' long	109 lbs.	\$613
1470-08	8' long	149 lbs.	\$730

Model 1303

Seat:	2" x 4" recycled plastic plank
Understructure:	2" x 2" square steel tube
Legs:	2" x 2" square steel tube
Hardware:	Stainless steel
Finish:	Super durable powder coat
Colors:	26 powder coat colors (page 5) 16 recycled plastic colors (page 5)
Mounting:	Surface

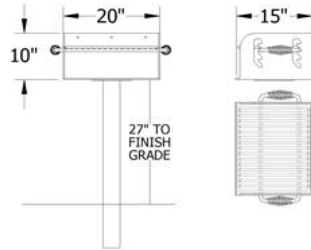
1303-06	6' long	114 lbs.	\$524
1303-08	8' long	127 lbs.	\$566
1303-ARM	Arm rest for end		\$62

Grills

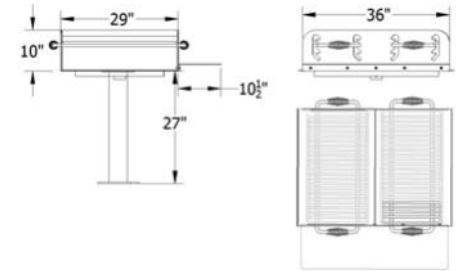


Shown with Optional Shelf

Model 1140-00 - Single Grill

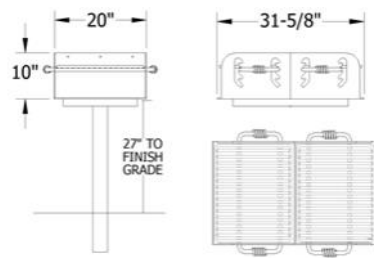


Model 1140-20 - Large Group Grill



Shown with Optional Shelf

Model 1140-10 - Double Grill



Models 1140-00 & 1400-10

Post:	3-1/2" OD heavy duty steel tube
Grill:	Heavy duty steel plate
Finish:	Heat resistant powder coat
Colors:	Flat Black
Mounting:	Surface or In-Ground

1140-00	70 lbs.	\$236
1140-00 Shelf		\$37
1140-10	140 lbs.	\$419
1140-10 Shelf		\$47

Model 1140-20

Post:	4-1/2" OD heavy duty steel tube
Grill:	Heavy duty steel plate
Finish:	Heat resistant powder coat
Colors:	Flat Black
Mounting:	Surface

1140-20	215 lbs.	\$692
---------	----------	-------



Model 1450

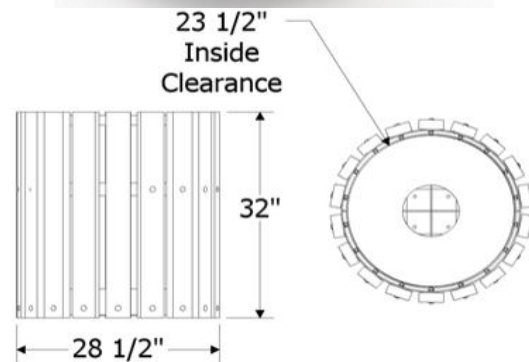
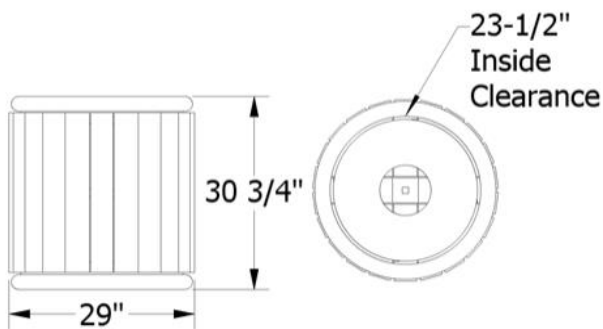


Model 3255



Model 3150

Trash Receptacles



Model 1450

Model 1150

Sides:	2" x 4" recycled plastic plank
Top:	2-3/8" heavy duty steel tube
Lid:	Flat steel w/8" opening
Liner:	Rigid plastic included
Finish:	Super durable powder coat
Colors:	26 powder coat colors (page 5) 16 recycled plastic colors (page 5)
Mounting:	Surface
1450	211 lbs. \$793
1450-SH	with side opening \$907

Sides:	2" x 4" recycled plastic plank
Top:	3/8" x 2" rolled steel bar
Lid:	Flat steel w/8" opening
Liner:	Rigid plastic included
Finish:	Super durable powder coat
Colors:	26 powder coat colors (page 5) 16 recycled plastic colors (page 5)
Mounting:	Surface
1150	107 lbs. \$597

Trash Receptacles



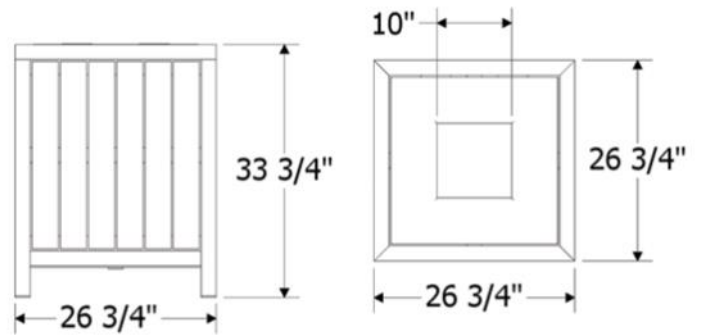
Model 1307-RCP-SH



Model 1307-ROD



Model 1307-BAR



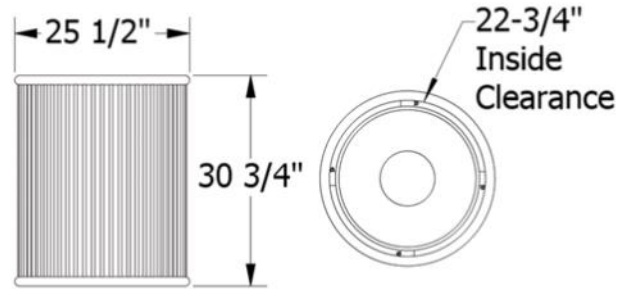
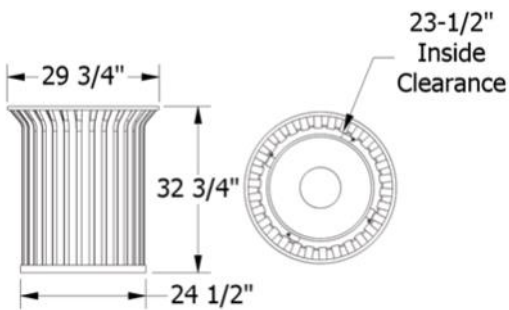
Model 1307-RCP

Model 1307-ROD or 1307-BAR

Sides:	2" X 4" recycled plastic plank
Top:	2" x 2" square steel tube
Lid:	Flat steel w/10" opening
Liner:	Rigid plastic included
Finish:	Super durable powder coat
Colors:	26 powder coat colors (page 5) 16 recycled plastic colors (page 5)
Mounting:	Surface
1307-RCP-SH	with side opening 277 lbs. \$1,059

Side Options:	1-1/2" OD steel rod 1-1/2" x 1/4" steel bar
Top:	2" x 2" square steel tube
Lid:	Flat steel w/10" opening
Liner:	Rigid plastic included
Finish:	Super durable powder coat
Colors:	26 powder coat colors (page 5)
Mounting:	Surface
1307-ROD	251 lbs. \$877
1307-BAR	249 lbs. \$877

Trash Receptacles



Model 3150

Sides:	1-1/2" x 1/4" steel strap
Top:	3/4" OD solid steel rod
Lid:	Flat steel w/8" opening
Liner:	Rigid plastic
Finish:	Super durable powder coat
Colors:	26 powder coat colors (page 5)
Mounting:	Surface

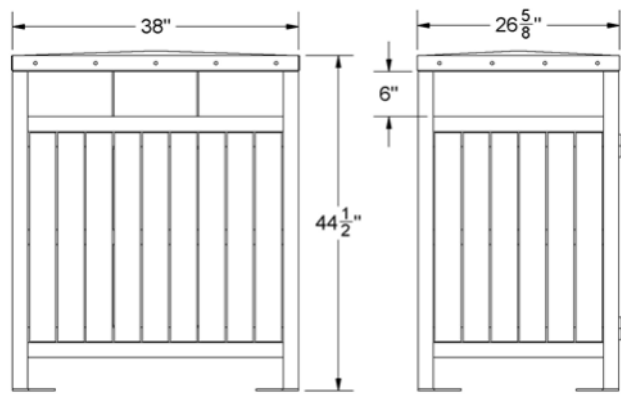
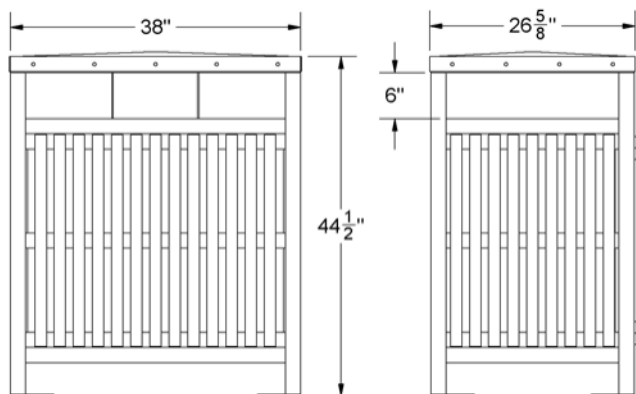
Model 3250

Sides:	1/2" OD solid steel rod
Top:	3/4" OD solid steel rod
Lid:	Flat steel w/8" opening
Liner:	Rigid plastic
Finish:	Super durable powder coat
Colors:	26 powder coat colors (page 5)
Mounting:	Surface

3150	140 lbs.	\$704
3150-SH	140 lbs.	\$818

3250	127 lbs.	\$681
3250-SH	127 lbs.	\$796

Recycling Receptacles



Model 1308-BAR

Model 1308-RCP

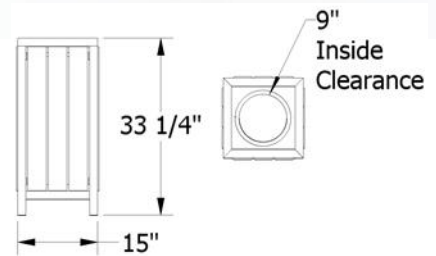
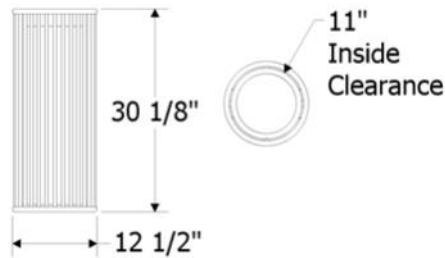
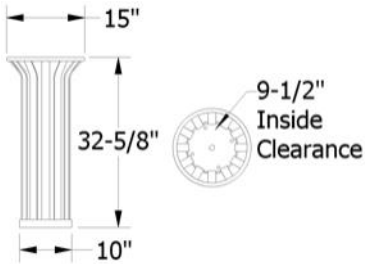
Sides: 1-1/2" x 1/4" heavy duty steel slat
 Frame: 2" x 2" square steel tube
 Top: 18 gauge steel
 Liner: (3) 11" x 21-1/2" x 27" divided galvanized
 Finish: Super durable powder coat
 Colors: 26 powder coat colors (page 5)
 Mounting: Surface

Sides: 2" x 4" recycled plastic plank
 Frame: 2" x 2" square steel tube
 Top: 18 gauge steel
 Liner: (3) 11" x 21-1/2" x 27" divided galvanized
 Finish: Super durable powder coat
 Colors: 26 powder coat colors (page 5)
 16 recycled plastic colors (page 5)
 Mounting: Surface

1308-BAR 350 lbs. \$1,574

1308-RCP 380 lbs. \$1,788

Ash Receptacles



Model 3350			Model 3255			Model 1351		
Sides:	1-1/2" x 1/4" steel strap		Sides:	1/2" OD steel rod		Sides:	2" x 4" recycled plastic	
Top:	3/4" OD solid steel rod		Top:	3/4" OD steel rod		Top:	1-1/2"x1-1/2" square steel tube	
Ash Tray:	Steel		Ash Tray:	Steel		Ash Tray:	Steel	
Finish:	Super durable powder coat		Finish:	Super durable powder coat		Finish:	Super durable powder coat	
Colors:	26 powder coat colors		Colors:	26 powder coat colors		Colors:	26 powder coat colors 16 recycled plastic colors	
Mounting:	Surface		Mounting:	Surface		Mounting:	Surface	
3350	34 lbs.	\$450	3255	70 lbs.	\$457	1351	90 lbs.	\$566

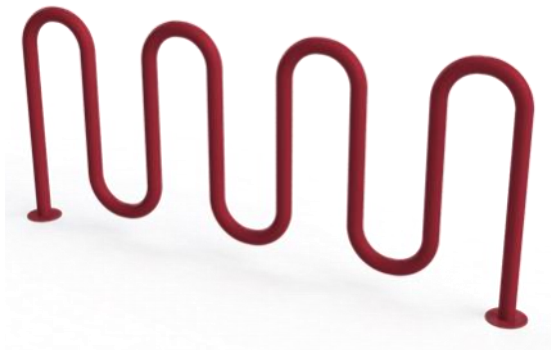


Model 1608

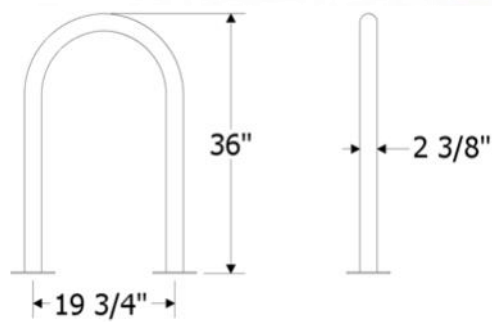
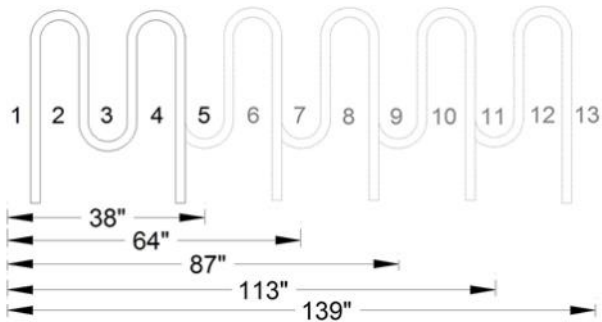


Model 1610

Bike Racks



Shown with (5) Model 1608



Roller Coaster Model 1602

Constructed of 2-3/8" O.D. galvanized heavy duty steel tube with super durable powder coated finish

Mounting: Surface or In-Ground Mount.

Finish: Powder coat color selection on page 5

1602-05	5 spaces, 38"	60 lbs.	\$373
1602-07	7 spaces, 64"	90 lbs.	\$408
1602-09	9 spaces, 87"	125 lbs.	\$431
1602-11	11 spaces, 113"	155 lbs.	\$488
1602-13	13 spaces, 139"	175 lbs.	\$534

Please call for Stainless Steel Pricing.

To order this bike rack without super durable powder coat (Galvanized), deduct \$53

Indicate mounting preference when ordering.
Mounting options on Page 5.

Rainbow Model 1608

Beautifully formed of 2-3/8" O.D. galvanized steel tube, these inverted "U" shaped bike racks each secure 2 bikes. Form circles, follow gently landscaped curves, or use in a small space.

Mounting: Surface or In-Ground Mount.

Finish: Powder coat color selection on page 5

1608-01	36" x 22"	28 lbs.	\$226
---------	-----------	---------	-------

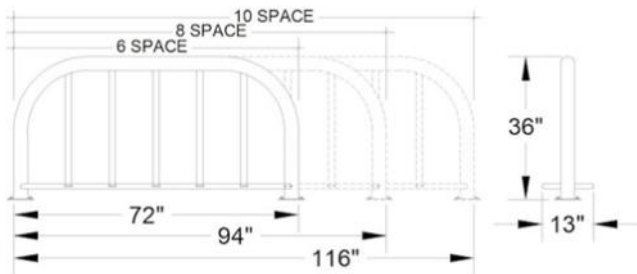
Please call for Stainless Steel Pricing.

(5 racks shown in picture)

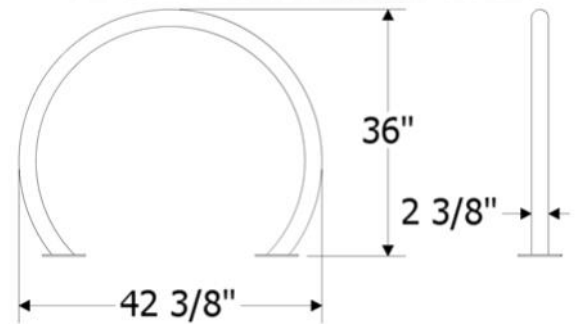
Please call for Stainless Steel Pricing.

To order this bike rack without super durable powder coat (Galvanized), deduct \$53.

Indicate mounting preference when ordering.
Mounting options on Page 5.



Shown with (3) Model 1700



Oxford Model 1610

The Oxford bike rack gains support from either 4-1/2" O.D. or 3-1/2" O.D. galvanized steel tubing. No assembly required for installation. Choice of colors.

Mounting: Surface or In-Ground Mount.

Finish: Powder coat color selection on page 5

Rack with 4-1/2" O.D. Construction

1610-06	6 spaces	72"L x 36"H	160 lbs.	\$681
1610-08	8 spaces	94"L x 36"H	190 lbs.	\$730
1610-10	10 spaces	116"L x 36"H	220 lbs.	\$761

Racks with 3-1/2" O.D. Construction

1610-16	6 spaces	72"L x 36"H	120 lbs.	\$604
1610-18	8 spaces	94"L x 36"H	145 lbs.	\$635
1610-20	10 spaces	116"L x 36"H	170 lbs.	\$671

Indicate mounting preference when ordering.
Mounting options on Page 5.

Round Up Model 1700

These beautifully formed circle bike racks can be used alone or mount them in multiples to meet your needs. Constructed of heavy duty 2-3/8" O.D. galvanized steel.

Mounting: Surface or In-Ground Mount.

Finish: Powder coat color selection on page 5

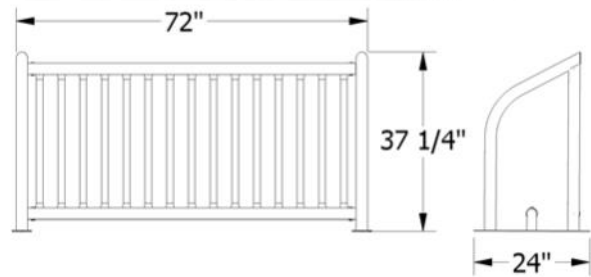
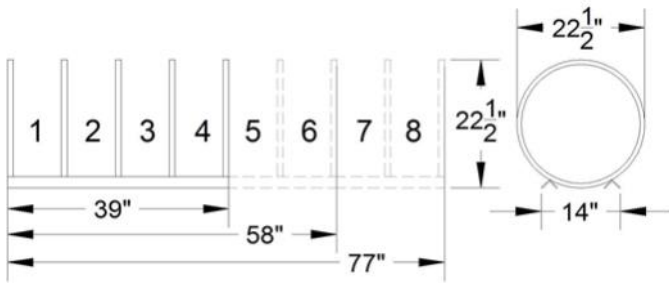
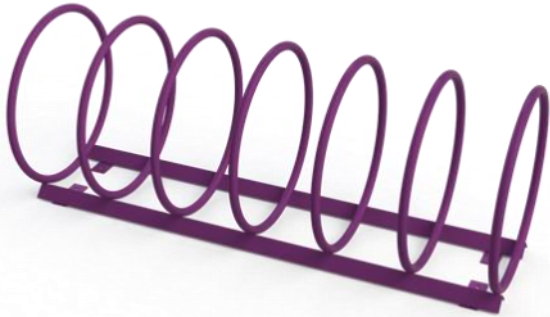
1700-00	2 spaces	36 lbs.	\$251
---------	----------	---------	-------

(3 racks shown in picture)

To order this bike rack without super durable powder coat (Galvanized), deduct \$53.

Indicate mounting preference when ordering.
Mounting options on Page 5.

Bike Racks



Ringlet Model 1625

With a base built with 2" x 2" steel angle and 1" heavy duty steel tube rings, this bike rack provides a secure place to lock bikes without a bulky, hefty design. Although lovely in classic colors, this rack really shines when given a pop of color from our super durable powder coat chart shown on Page 5.

1625-04	4 spaces	69 lbs.	\$467
1625-06	6 spaces	102 lbs.	\$566
1625-08	8 spaces	135 lbs.	\$671

Indicate mounting preference when ordering. Mounting options on Page 5.

Newport Model 1606

Call it classic or call it retro, this bike rack features a 2-3/8" heavy duty steel tube frame with 1-3/8" heavy duty steel stub uprights. Select your custom color from one of 26 samples of super durable powder coat shown on Page 5.

1606-06	8 spaces	138 lbs.	\$793
---------	----------	----------	-------

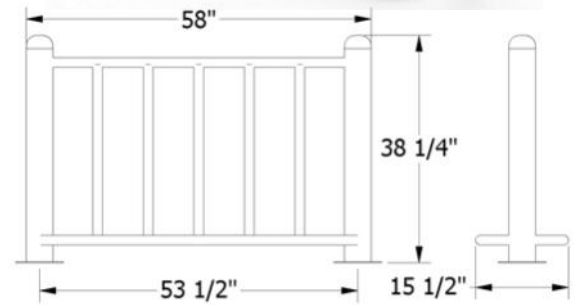
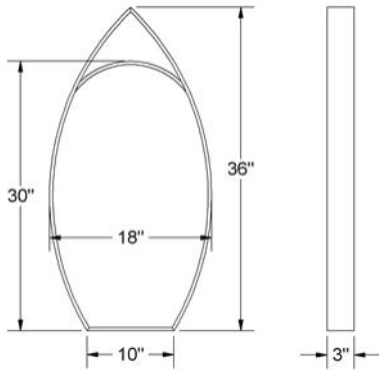
Indicate mounting preference when ordering. Mounting options on Page 5.



Bike Racks



Shown with (3) Model 1650



Marquis Model 1650

Named for its unique shape, this striking bike rack blurs the line between function and sculpture. Hand formed of 3" x 3/8" steel bar, this rack is suitable for in-ground or surface mount and can be installed alone or in groups. Make your own statement by selecting a super durable powder coat finish from the chart on Page 5.

1650-00 2 spaces 95 lbs. \$268

(3 racks shown in picture)

*Indicate mounting preference when ordering.
Mounting options on Page 5.*

Cambridge Model 1609

Select the appropriate post diameter, from 3-1/2" to 5-9/16", for your application. Then choose a beautiful color from our chart of super durable powder coat on Page 5.

3-1/2" Post Diameter

1609-31 6 spaces 151 lbs. \$555

4-1/2" Post Diameter

1609-41 6 spaces 171 lbs. \$604

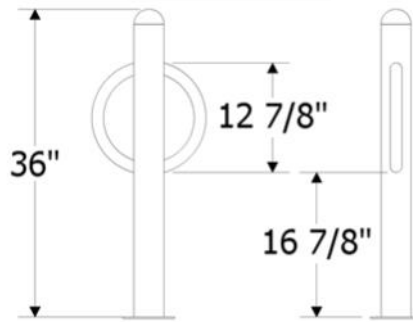
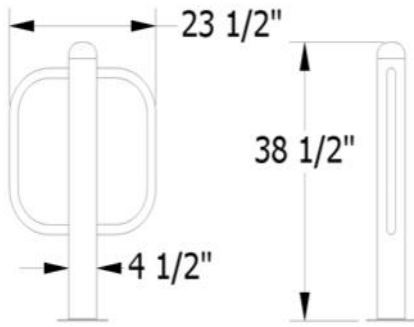
5-9/16" Post Diameter

1609-51 6 spaces 181 lbs. \$614

To order this bike rack without super durable powder coat

*Indicate mounting preference when ordering.
Mounting options on Page 5.*

Bike Racks/Bollard



Model 1600	Model 1605	Model 1100
Center Post: Heavy steel tube	Center Post: Heavy steel tube	Center Post: Heavy steel tube
Rails: 1-3/8" OD heavy duty steel tube	Rails: 1-3/8" OD heavy duty steel tube	Colors: Super durable powder coat in 26 colors (Page 5)
Colors: Super durable powder coat in 26 colors (Page 5)	Colors: Super durable powder coat in 26 colors (Page 5)	Mounting: Surface or In-Ground
Mounting: Surface or In-Ground	Mounting: Surface or In-Ground	
1600 4-1/2" O.D. 61 lbs. \$251	1605 - 3-1/2" O.D. 40 lbs. \$257	1100-03 3-1/2" O.D. 38 lbs. \$194
1600 5-9/16" O.D. 80 lbs. \$272	1605 - 4-1/2" O.D. 56 lbs. \$272	1100-13 w/ground sleeve 68 lbs \$251
Galvanized Option (\$42)	1605 - 5-9/16" O.D. 76 lbs. \$310	1100-04 4-1/2" O.D. 54 lbs. \$205
	Galvanized Option (\$42)	1100-14 w/ground sleeve 94 lbs \$362
		1100-05 5-9/16" O.D. 74 lbs. \$226
		1100-15 w/ground sleeve 124 lbs \$398
		1100-06 6-5/8" O.D. 104 lbs. \$251
		1100-16 w/ground sleeve 154 lbs \$419
		Galvanized Option (\$42)
		Locking Option \$62

WARRANTY INFORMATION

10 Year Limited Warranty

10 Year Limited Warranty includes all steel bench frames, steel bench assemblies, table frames, litter receptacle frames, ash receptacles, bike racks, and parking bollards.

20 Year Limited Warranty

20 Year Limited Warranty includes structural failure of all recycled plastic planks.

Warranty Terms

Patterson-Williams warrants its products to be free from defect in materials or workmanship during normal use and installation, provided our published specification/installation instructions are followed and approved parts are used. This warranty is valid only if the product has been subjected to normal use for the purpose for which it was designed; has not be subjected to vandalism, misuse, neglect, or accident; has not be subjected to addition or substitution of parts; and has not been modified or altered. This warranty does not cover cosmetic items, for example: scratches, dents, marring, fading, discoloring, weathering, paint or decorations, normal wear and tear, or damage due to checking and warping. The warranty period begins on the date of invoice. The warranty does not cover the cost of removal and/or installation of warranted product. All claims must be accompanied by a copy of the original invoice. Patterson-Williams must be notified before any corrective action is taken and reserves the right to determine whether claims will be fulfilled by replacement or by other means. Replacement parts are guaranteed for the remainder of the original warranty period.

Terms of Sale

Standard terms of payment are net 30-days from shipping date for all publicly funded schools, park districts, municipalities and other publicly funded institutions. All others are 50% down, with balance required before shipment. A monthly finance charge of 1-1/2% per month will apply to all past due accounts. Please check your shipment carefully at time of delivery for possible damage or shortages. Although we take extra care to ensure your order is packed complete, items may become lost in transit. Check the Bill of Lading and Packing List at the time of delivery by the freight company for accuracy and/or possible shipping damage, and please call your local Patterson-Williams dealer immediately to assist with any questions or subsequent freight claims. During the year, our engineering team finds new ways to improve our product designs. Rather than make our customers wait until year's end and a new catalog to make these improvements, we do reserve the right to change product specifications without notice.

Orders for custom or modified equipment require 50% down and cannot be cancelled. Returns on any products will need to be authorized by Patterson-Williams and assigned an RGA number prior to shipment. A 20% restocking charge will apply on returned goods. Any questions concerning our terms or warranties can be directed to your local Patterson-Williams dealer or to the Patterson-Williams customer service department at 1-800-687-5768.



We accept Discover Card, Mastercard, Visa, and American Express.



SEE OUR LISTINGS AT SWEETS.COM



Patterson-Williams
Since 1919

More information available at Patterson-Williams.com
A subsidiary of Americana Building Products Inc.
PO Box 1290, Salem IL 62881
140 N. Gilbert Road, Mesa AZ 85203
1-888-442-2925 Fax: 1-618-548-2890
sales@patterson-williams.com

see us at
Sweets.com



MANUFACTURER OF QUALITY SITE FURNISHINGS SINCE 1919

