



MICHAEL RIZZA COMPANY™

Premium Silicone Systems

A Division of  **BALCO INC**

www.balcousa.com • 1-800-767-0082

**INSTALLATION INSTRUCTIONS
FOR MICHAEL RIZZA™ IS SERIES
INTERIOR SILICONE SEAL
JOINT COVER SYSTEMS**

INSTALLATION INSTRUCTIONS FOR Michael Rizza™ IS SERIES, INTERIOR SEAL SILICONE FACE SEAL EXPANSION JOINT COVER SYSTEMS

The following installation instructions are very important. Read them carefully, and be sure you understand them completely before you begin any work.

STORAGE & HANDLING

The expansion joint covers are shipped unassembled. Upon receipt, this product should be stored in the horizontal position in a clean, dry location. This is a finished product. Store this product in a protected area.

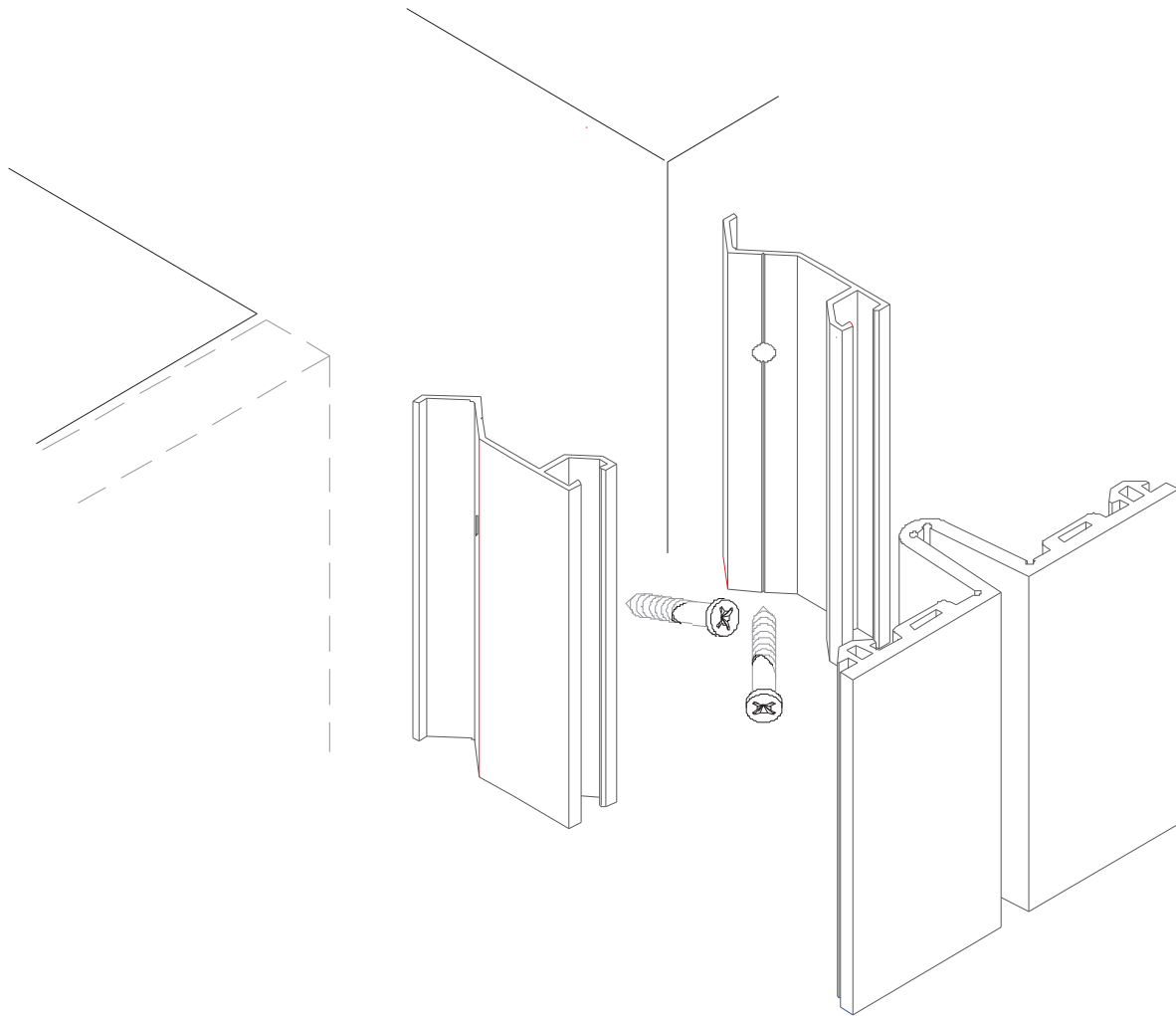


Figure 1

PARTS

1. Aluminum Base Members
2. Base Member Anchors
3. Silicone Face Seal

TOOLS REQUIRED

This is a list of tools and materials recommended for use in the installation of these joint systems. Tools and materials in this list are not provided by Balco, Inc.

- A. Drill Bits for Base Members (Metal).
- B. Drill Bits for Concrete (if required)
- C. Electric Drill
- D. Phillips Head Screw Drivers
- E. Miter Box
- F. Hacksaw (for cutting Face Seal)
- G. Wallpaper Roller (1/2")

INSTALLATION

These installation instructions are for use in the installation of Rizza™IS Series, Interior Seal Silicone Face Seal Expansion Joint Covers, Types IS-2 through IS-12. The system is illustrated in Figure 1. The joint cover system shall be installed as follows:

STEP 1. Review Balco, Inc. approved shop drawings for types and locations.

STEP 2. Select the base members. If the anchor holes have not been drilled into the base members at the factory, mark the locations for the anchor holes on the base members, see Figure 2. Standard anchor spacing is 20" o.c. with an anchor hole a maximum of 3" from each end of each extrusion section. Drill the anchor holes into the base members at the marked locations.

STEP 3. If fire barrier is provided with the system, install it at this time. Refer to the installation instructions for the appropriate fire barrier type provided for procedures for the proper installation of the fire barrier.

STEP 4. Select a section of the drilled base members, and place it in proper installed position against the wall. Ensure that the base member is level, straight, and properly aligned.

STEP 5. Using the base member as a template, mark the locations for the anchor holes on the substrate, see Figure 3.

STEP 6. Remove the base member from its installed position, and drill the anchor holes into the substrate at the marked locations.

NOTE: OBSERVE NORMAL SAFETY PRECAUTIONS WHEN DRILLING INTO

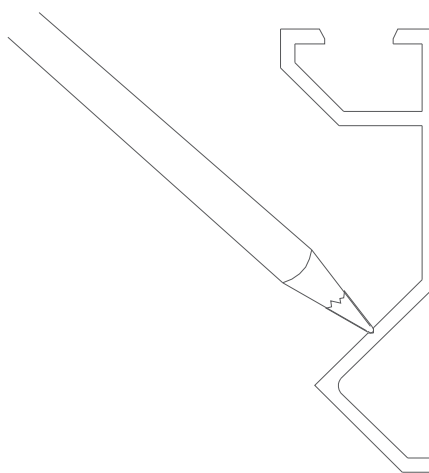


Figure 2

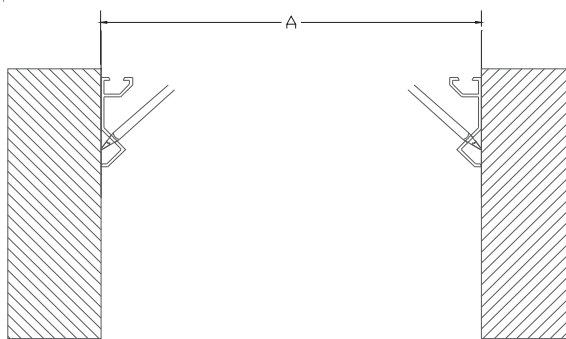


Figure 3

CONCRETE OR MASONRY TO AVOID ALL UTILITIES AND RE-BAR. CLEAN AWAY ALL REFUSE FROM THE INSTALLATION AREA.

STEP 7. Select the base member used as a template, and place the base member back into its installed position in the joint. Ensure that the base member is properly aligned, straight, and level. Ensure that the anchor holes in the base member align properly with the anchor holes in the wall.

STEP 8. Using the fasteners provided by the factory, attach the base member to the wall, see Figure 4. Ensure that the base member remains properly aligned, level, and straight.

STEP 9. Repeat Step 4 through Step 8 for the corresponding opposite base member. Ensure that the base members are properly aligned with one another, see Figure 5.

STEP 10. Repeat Step 4 through Step 9 for each section of base member in the joint cover run.

STEP 11. Select the face seal. Determine the length of face seal required for the installation. Mark the face seal at the location at which it needs to be cut to attain the required length.

STEP 12. Beginning from the bottom of the joint, insert the arrows of the trimmed section of face seal into the corresponding base member face seal retainer track. Use a wall paper roller (by others, 1/2" width) to roll the arrows into the tracks continuously along the length of the face seal, see Figure 6. Lubricating the face seal's arrows with soapy water or liquid soap can make installation of the face seal easier. Do not use oils or oil based lubricants on the face seal arrows.

STEP 13. For faces seals containing tear strips, make a 2 inch (25 mm) razor cut into the tear strip at the top of each run of the sseal.

SPLICING IS Series

Balco, Inc. recommends that IS Series Seals be installed in the longest lengths possible to minimize splices. These instructions are for the field fabrication of splices, when needed.

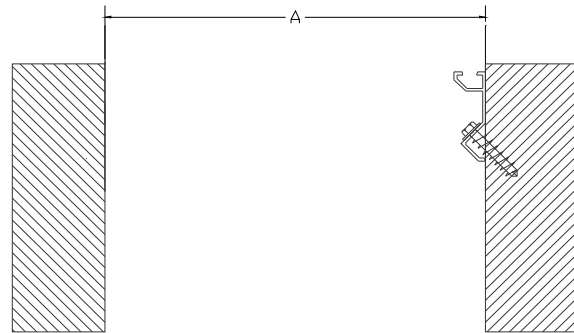


Figure 4

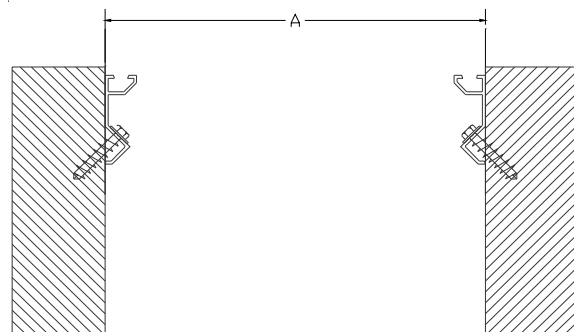


Figure 5

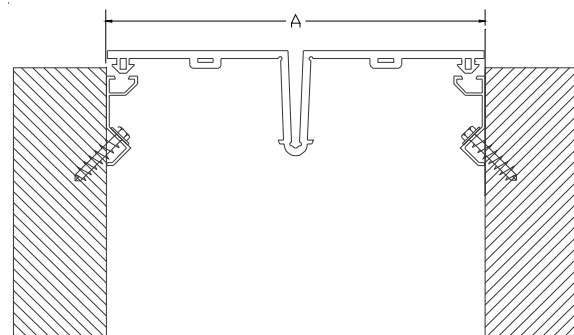


Figure 6

STEP 1. For typical splices base members are abutted end to end, leaving a gap for thermal expansion. Caulk is applied into the gap of mating base members. If it is necessary to trim the mating sections of face seal to fabricate the splice, place the face seal into a field fabricated miter box.

STEP 2. Flooding the area with water to lubricate the saw blade, cut the face seal by applying constant downward force on the hacksaw frame. Note that the cut should be made with one stroke to minimize ragged edges.

STEP 3. Select the mating face seal sections. Ensure that the mating edge of each seal is straight. Apply a bead of caulk to the edge of one of the mating seal sections.

STEP 4. Select splice pins for the seal (one pin per splice slot in the face seal). Insert each splice pin half way into its corresponding splice slot in the face seal. Align the mating seal sections with one another. Insert the other half of the splice pin into the splice slots in the mating section of the face seal. Press the mating sections of the face seal together, compressing the caulk and providing a seal at the splice, see Figure 7.

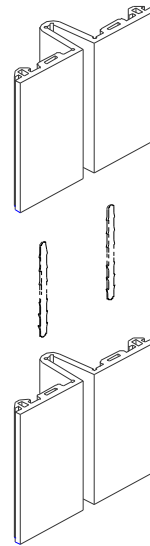


Figure 7

IS SERIES FIELD FABRICATED TRANSITIONS

These instructions are for the field fabrication of transitions (changes of direction in the joint or at locations where joints in different planes intersect one another). If one is not available, fabricate a miter box for the face seals.

STEP 1. Miter the mating base members as needed for the transition. Leave the recommended 1/4" gap between the mating base members to allow for the thermal expansion of the aluminum extrusions. Apply a continuous bead of caulk into the gap between the mating base members.

STEP 2. Select the mating face seal sections. Place the mating sections, one at a time, into the miter box and miter the mating sections of seal so that they will mate with one another. Ensure that the mating edge of each seal is straight and at the proper miter.

STEP 3. Apply a bead of caulk to the edge of one of the mating seal sections.

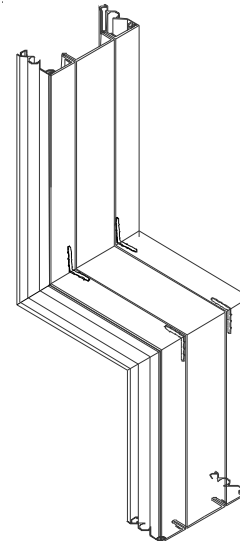


Figure 8

STEP 4. Select splice pins for the seal (one pin per splice slot in the face seal). Insert each splice pin half way into its corresponding splice slot in the face seal. Align the mating seal sections with one another. Insert the other half of the splice pin into the splice slots in the mating section of the face seal. Press the mating sections of the face seal together, compressing the caulk and providing a seal at the transition, see Figure 8.

WARRANTY POLICY

Balco, Inc. warrants to its purchasers that all products sold by it will be free from manufacturing and material defects. Any defective product will be replaced or repaired free of any charge, provided a claim is brought to our attention, in writing, within the established warranty period following the date of shipment by us and provided our examination shows the product has failed under the terms of this warranty. The established warranty period for exterior joint cover systems (Duraflex™) is five (5) years provided the systems are installed by a Balco Certified Installer. The established warranty period for grids and mats is two (2) years. The established warranty period for all other Balco, Inc. products is one (1) year. Balco, Inc. will not be responsible for installation costs involved in such repair or replacement. Balco, Inc. shall have no obligation under this warranty if owner subjects materials to improper conditions (refer to Balco's installation instructions) This is in lieu of all other warranties, expressed or implied, and is the sole warranty extended by Balco, Inc. Our liability under this warranty is limited to repair or replacement and does not include any responsibility for consequential or other damage of any nature. It is further agreed and understood that the price stated for the seller's products is consideration for the limitation of seller's liability hereunder.

REGISTERED TRADEMARKS:

"VINYLINES" "SAF-T-GLO"
"METAFLEX" "SAF-TEN BEVEL"
"SENTRY" "DURAFLEX"
"ILLUMI-TREAD"

BALCO, INC. PATENT NUMBERS:

5,357,727; 5,782,044; 5,829,216;
5,832,678; 6,014,848; 6,115,980;
6,581,347; 6,942,419; 6,955,017;
6,962,026; 7,104,717; 7,856,781;
7,946,784; 8,079,190; 8,245,471;
SAF-T-GLO patent pending