

Instructions for Wasco 40mm Vert. Panel System

List of supplied components:

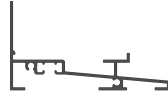
40mm Multiwall panels



Frame Extrusion



Retainer*



Subsill



Purlin Clip (opt.)



Frame Gasket



Cap Gasket



Corner Brackets



Assembly Screws

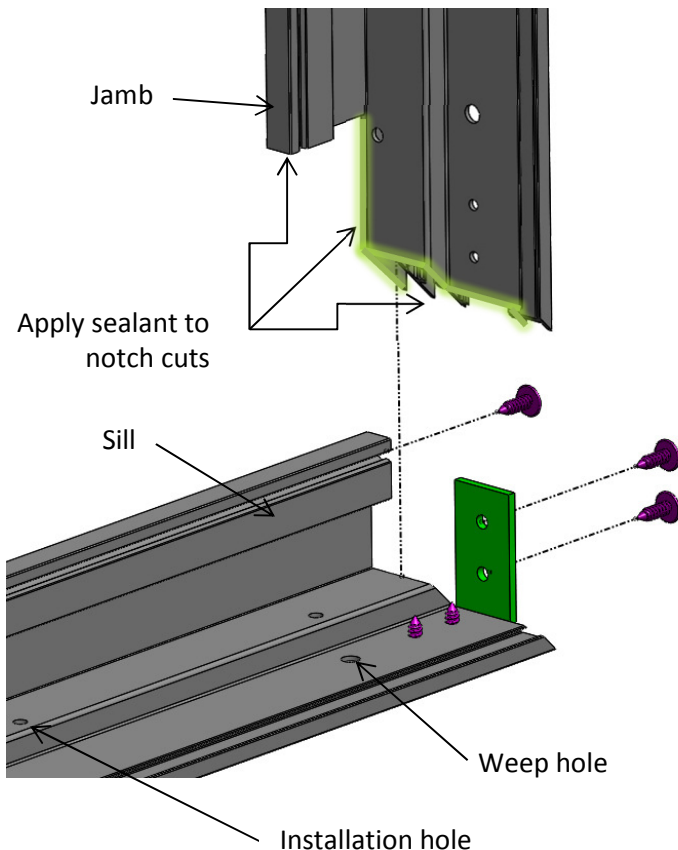
Glazing shims (1/4" x 1" x 4")

*Retainer also supplied as 4" pieces for use as installation clips.

Also required but not supplied:

Silicone caulk, backer rod, installation screws (1/4" x 2" min. length), installation shims

Step 1: Assemble Frame - the frame will be supplied as 4 separate pieces, head, sill and 2 jambs.



Assemble all frame corners following the illustration to the left.

Note the difference in the notch detail between the jamb components and the head/sill components. Also note the sill has additional installation holes that distinguish it from the head.

Apply silicone sealant generously to the cut edges (as indicated) of the frame components before assembling the corners.

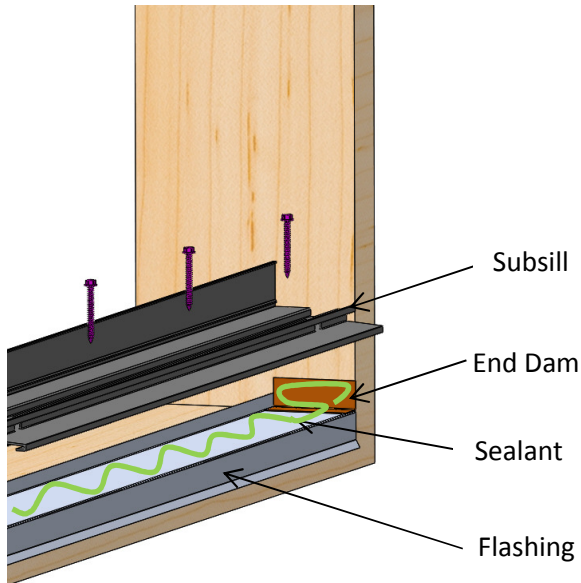
Attach the corner brackets to the head & sill components as shown with the supplied screws. (#10 x 5/8") Next slide the bracket into the pocket in the jamb, and screw together. Note the illustration shows a third assembly screw to complete the corner.

Repeat for each corner; wipe off excess sealant from exposed surfaces. Apply additional sealant along the joint inside the assembled corner.

Check overall dimensions of the finished frame. Install frame gasket (1/8" block tee) in all pieces, making sure corners are tight.

Step 2: Install Subsill & Frame

Check the size of the rough opening, it should be about 3/8" wider and 1" taller than the frame dimensions. Also check that the opening is plumb, level and square.



Install Pan Flashing & Subsill

Dry fit pan flashing and subsill in opening. Trim both to length as necessary for a tight fit side to side.

Apply a generous amount of sealant in the opening and set pan flashing in place, shimming as necessary. Apply sealant up the sides of the opening and set end dams.

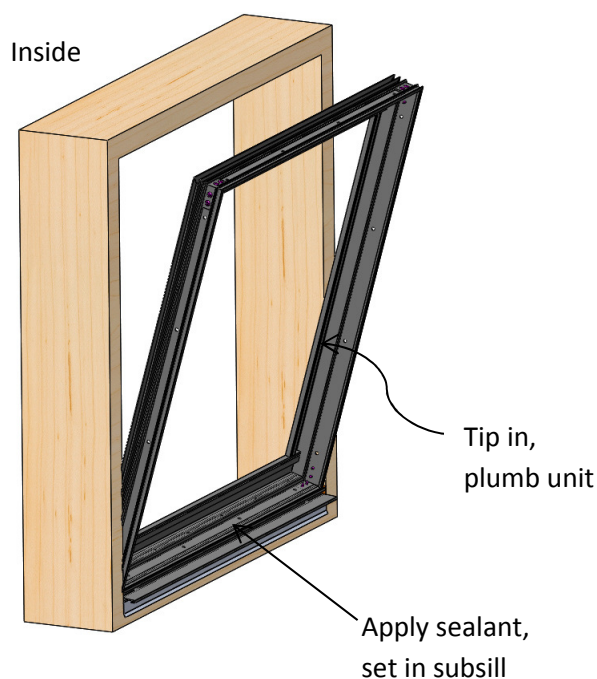
NOTE: It is preferable to shim under the pan flashing so that it is level when the subsill is installed.

Apply sealant to the top of the pan flashing and onto the end dams and set the subsill in place. Be sure to run several beads of sealant in the pan flashing, with one bead at the corner of the inside vertical leg.

Drill pilot holes into the rough opening through the pre-drilled holes in the subsill. Fill each hole with sealant, then screw the subsill in place. Seal each of the screw heads, and seal between the ends of the subsill and the sides of the opening. Seal any remaining gaps between the subsill, the pan flashing & the opening.

Install Frame

Run a generous bead of silicone from end to end on the inside vertical leg of the subsill as well as a vertical bead at each end where the subsill butts against the opening. (see illustration page 3)



Install the assembled frame in the opening setting it into the subsill first and tipping forward until vertical. Center in the opening side to side.

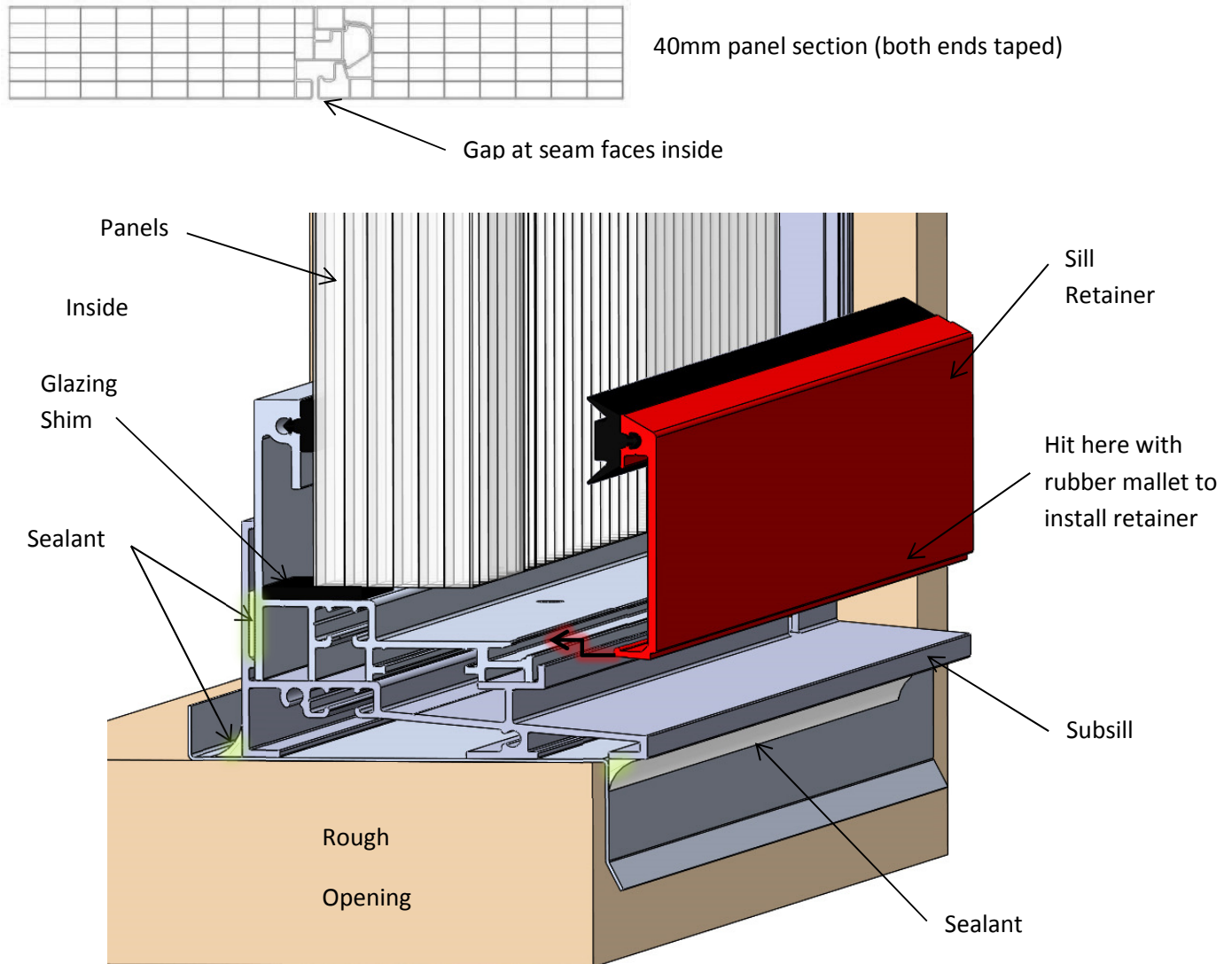
Attach frame to subsill with supplied screws. (#10 x 1-1/4").

Note: Location of installation holes on sill are different than the jambs & head. (See illustration on page 1). It is assumed the subsill is level so shimming the frame inside the subsill should not be necessary. Seal the screws heads with silicone caulk. Do not seal the weep holes. Next attach frame to opening, shimming as necessary. Use appropriate screws for the opening material.

Caulk inside and outside gaps between frame and opening, using backer rod as needed. Tool caulk joints for a neat appearance. Install any interior trim as desired.

Step 3: Install Glazing

Install exterior gasket into retainer pieces. Take note of the difference between jamb caps (ends are beveled) and head/sill caps (ends are notched). Set glazing shims (see below) in sill approximately 20" apart.



Begin installing panels in frame from one end to the other, making sure the outside of the panel is facing out. (See detail above). Snap the panels together one by one as you go. You may need to use a rubber mallet to engage the tongue and groove connection. Use the supplied 4" retainer pieces (without gasket) as clips in the head and sill to keep the panels in place. When finished, center the assembled panels in the frame, using glazing shims on either side.

Install the retainer in the frame to secure the panels. Start with the sill, then head, and finally jambs. (remove temporary retainer clips) The retainer installs as shown above. Position the retainer in the groove as shown and hit with a rubber mallet (or protect with a wood block) to engage. Work from one end to the other to install the retainer. NOTE: the retainer is engaged when it is flush with the front surface of the frame. Repeat for the head and then for the jambs. Seal any gaps at the corners of the gaskets.

Check all joints, both interior and exterior, and seal if any are open. Wipe excess sealant off exposed surfaces.