

- Sleek, rimless design minimizes standing water
- Faucet pad allows space for user's personal items
- Single piece molded design eliminates caulk lines and seams
- Strainer design accommodates standard 4" plunger
- Unique overflow cover allows access for overflow cleaning

### Specifications

Accommodates one user. The unit handles washroom traffic quickly and economically, while providing the user with personal space.

### Construction

#### Bowl

Evero Geo Series is a natural quartz surface made from a blend of bio-based resin, natural quartz, granite and other exotic minerals. It is made of 25% recycled content.

Evero Pearl Series is a natural quartz surface made with bio-based resin, sea shells, recycled glass and natural quartz. It is made of 70% recycled content.

- Variations in the natural stone color, pattern, size, shape and shade are inherent. Due to these unique characteristics, please expect subtle shade variations when units are installed adjacent to each other.

#### Access Panel

Minimalistic panel is composed of decorative 300 series stainless steel. Water supplies, valves, waste assembly and other optional items are concealed within the panel/frame.

#### Support Frame

Bowl assembly and access panel are secured to a heavy gauge stainless steel support frame mounted to wall.

#### Faucet Options

Choose from 0.35 GPM CAP-DCA or IR-DCD, which have been tested for fit and performance. For more information on these standard faucet options, please enter the model number in the search box at [bradleycorp.com](http://bradleycorp.com). 4" centerset and centershank faucet drillings are available for faucets by others. To maximize handwashing space and minimize splashing, faucets by others require length from faucet base centerline to aerator centerline to be 4" to 5.5" and height from faucet base bottom to aerator bottom to be 3" to 6". Spray pattern aerators require a 0.38 GPM flow or less. 0.5 GPM aerators can be laminar or aerated flow.

### Code Compliance and Certifications

#### Enhanced Reach Compliant

Per 2009 International Building Code (IBC) under 1109.2.3, if there are 6 or more lavatories, at least one lavatory shall meet the 11" maximum reach depth per ICC A117.1 606.5. The L-Series is compliant when used with CAP-DCA or IR-DCD faucets and 6315 soap. Faucets and soap require a 4" minimum length from faucet base centerline to aerator centerline for compliance.

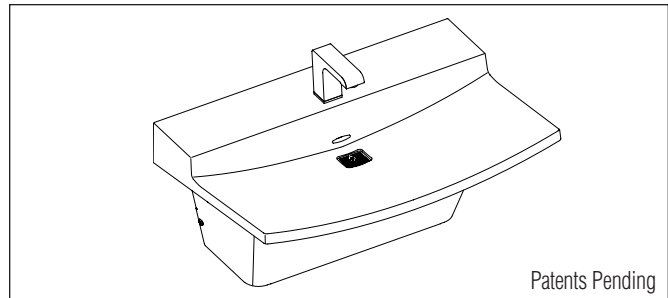
#### ANSI Standards

Evero Natural Quartz Surface meets the requirements of ANSI Z124.3.

#### cUPC Approval

Verge Lavatory System is Uniform Plumbing Code (UPC), International Plumbing Code (IPC) and National Plumbing Code of Canada (NPC) approved through the International Association of Plumbing and Mechanical Officials (IAPMO). Manufactured in compliance with IGC 156, CSA B45 Series (R08) & ASME A112.18.1/CSA B125.1.

- This plumbing fixture is designed for hand washing only. It is not intended to dispense water for human consumption through drinking or for preparation of food or beverages.



Patents Pending

### Models (Must select one)

Model	Description
<input type="checkbox"/> LVLD1	Verge Lavatory System – L-Series, One-Station

### Standard Selections (Must select one from each category)

#### Faucet Drilling (select one)

<input type="checkbox"/> 4" SET	4" Centerset Drilling
<input type="checkbox"/> CAP-DCA	Capacitive Faucet Battery
<input type="checkbox"/> IR-DCD	Infrared Faucet Battery
<input type="checkbox"/> SHANK	Centershank Drilling

#### Soap Dispenser (select one)

<input type="checkbox"/> 6324-68	32-oz. Plastic Globe, 4" Spout
<input type="checkbox"/> 6315-KT0000	Battery IR Metering Soap Dispenser Kit (with batteries and 1,000-shot soap)
<input type="checkbox"/> 6334	Lavatory-Mounted Soap Dispenser
<input type="checkbox"/> SDO	Soap Drilling Only
<input type="checkbox"/> NSD	No Soap Dispenser

#### Water Supply (select one)

<input type="checkbox"/> TMA	Navigator® Thermostatic Mixing Assembly (Hot and Cold Supplies) w/Stops and Supply Hoses
<input type="checkbox"/> NONE	No Valve Option Selected

#### Color of Evero™ Bowl (select one)

##### Geo Series

<input type="checkbox"/> AMAZON	Amazon	<input type="checkbox"/> MARAKESH	Marakesh	<input type="checkbox"/> SAHARA	Sahara
<input type="checkbox"/> ANTARCTICA	Antarctica	<input type="checkbox"/> MOJAVE	Mojave	<input type="checkbox"/> SERENGETI	Serengeti
<input type="checkbox"/> BLACK-SEA	Black Sea	<input type="checkbox"/> NASSAU	Nassau	<input type="checkbox"/> TUSCANY	Tuscany
<input type="checkbox"/> CABO	Cabo	<input type="checkbox"/> NEPAL	Nepal	<input type="checkbox"/> YUKON	Yukon
<input type="checkbox"/> GLACIER	Glacier Bay	<input type="checkbox"/> PUNALUU	Punaluu Beach	<input type="checkbox"/> ZANZIBAR	Zanzibar

##### Pearl Series (available at an additional charge) (Non-cancelable, non-returnable)

<input type="checkbox"/> ABALONE	Abalone	<input type="checkbox"/> BLACK-MOON	Black Moon	<input type="checkbox"/> TAHITIAN	Tahitian
<input type="checkbox"/> AKOYA	Akoya	<input type="checkbox"/> SOUTH-SEA	South Sea		

#### Color of Access Panel (select one)

<input type="checkbox"/> STAIN	Stainless Steel
--------------------------------	-----------------

#### P-Trap:

<input type="checkbox"/> S-PLASTIC	Single Plastic Polypropylene P-Trap
<input type="checkbox"/> S-CHROME	Single Chrome-Plated P-Trap

### Optional Selections

<input type="checkbox"/> PT	110-120 VAC plug-in adapter to convert from battery to AC power
<input type="checkbox"/> P19-231F	AC Adapter - 6315 soap dispenser (must order as a separate line item)

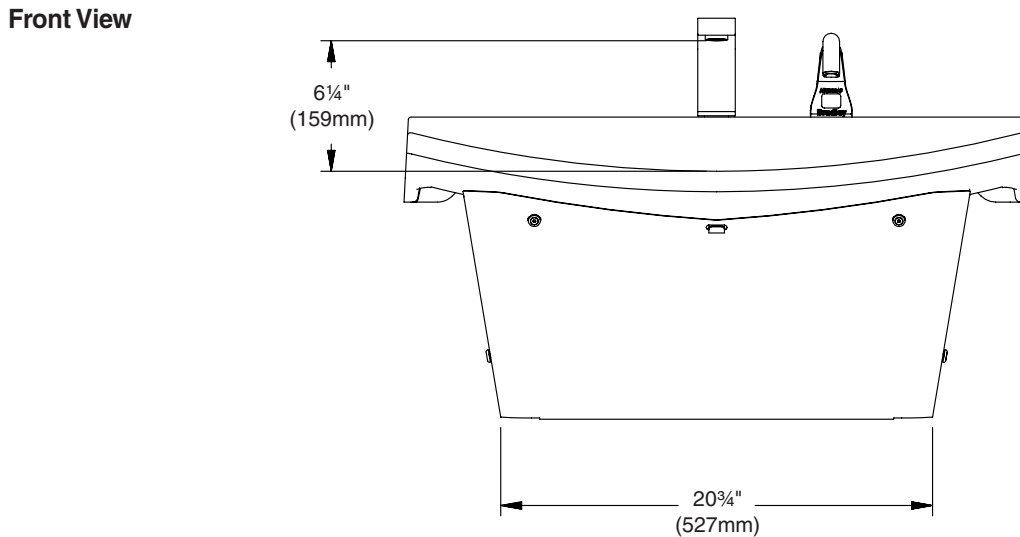
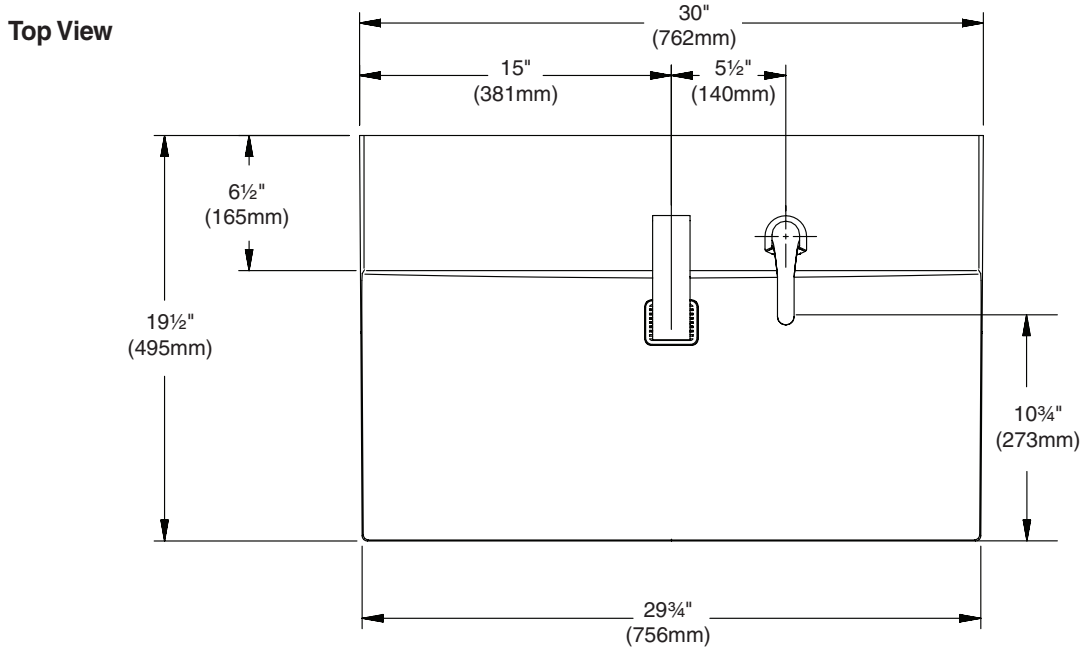
For more information on Evero Natural Quartz Surface, faucets, valves, transformers, and the soap dispensers, please visit [bradleycorp.com](http://bradleycorp.com).



© 2013 Bradley

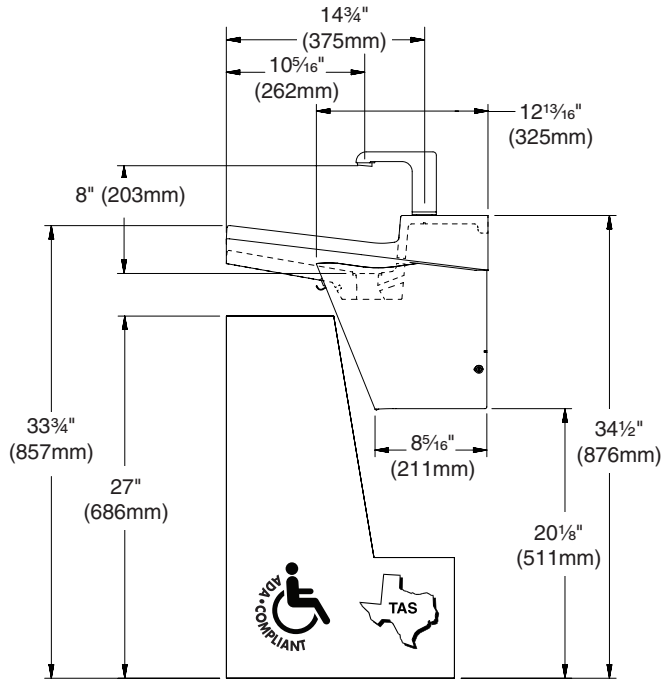
P.O. Box 309, Menomonee Falls, WI 53052-0309  
Phone: 800.BRADLEY(800.272.3539) Fax: 262.251.5817  
[bradleycorp.com](http://bradleycorp.com)

**Dimensions for LVLD1 Verge Lavatory Systems (Shown with CAP-DCA Faucet and 6315 Soap)**

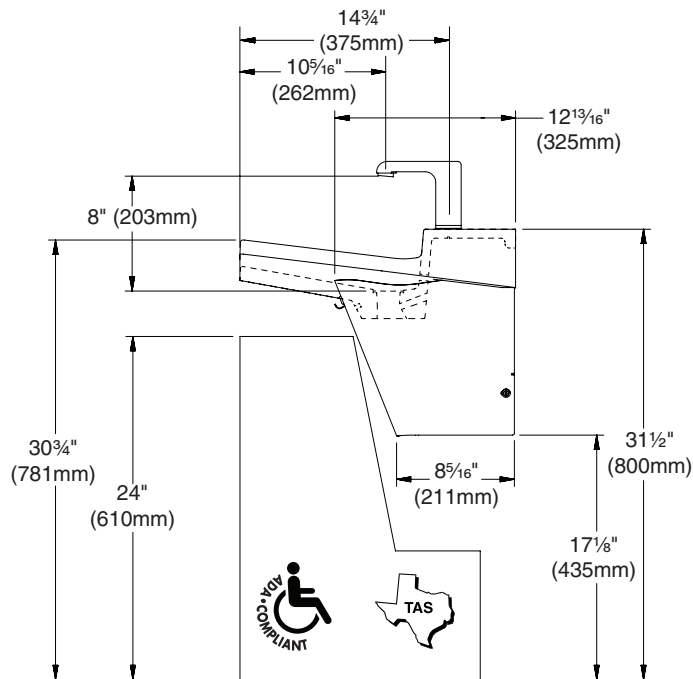


**Dimensions for LVLD1 Verge Lavatory Systems**

ADA Standard  
 and TAS Height



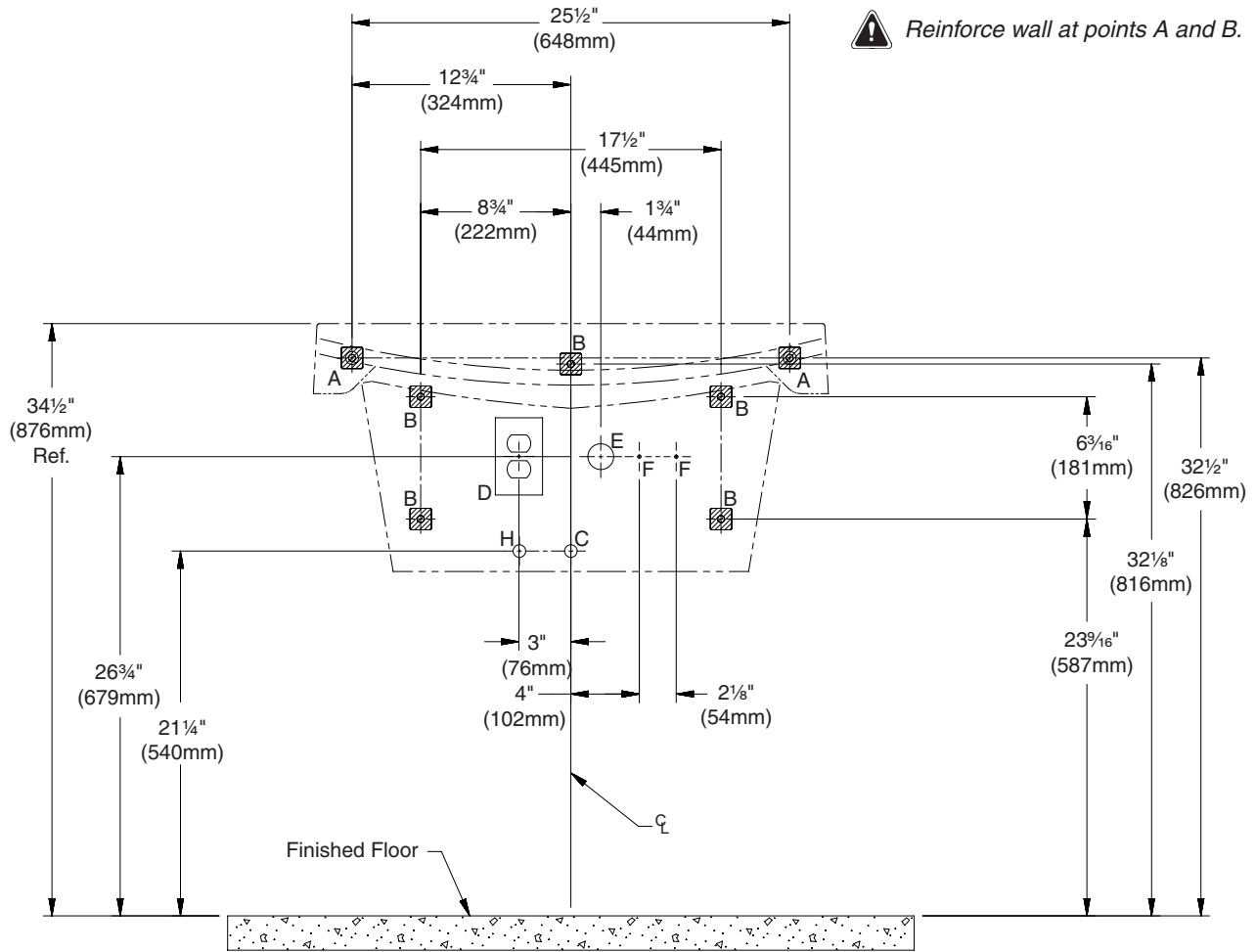
Juvenile and TAS,  
 Grades 6 thru 12



## Rough-Ins for LVLD1 Verge Lavatory Systems

Standard rough-in shown.

 Reinforce wall at points A and B.



CODE	DESCRIPTION	QTY.
A	3/8" Bowl Anchors with a Minimum Pull-Out Force of 1,000 lbs. (reinforce walls at anchor points)	2
B	3/8" Frame Anchors with a Minimum Pull-Out Force of 1,000 lbs. (reinforce walls at anchor points)	5
H, C	1/2" NPT Hot/Cold Supplies, Stub-Out 2" From Wall	1
D	110v GFI Protected Electrical Outlet (AC version only)	1
E	1 1/2" NPT Drain, Stub-Out 2" from Wall	1
F	#10 Anchors for Valve Bracket Installation	2
RIM HEIGHT	VERTICAL HEIGHT ADJUSTMENTS FOR CODES A-E and H	FIXTURE STYLE
33 3/4"	None	Standard Height, ADA and TAS
30 3/4"	Subtract 3"	ADA Juvenile and TAS, Grades 6 thru 12