

- Model 2A09 — Recessed**  
(recesses 9-3/4"; projects 2-3/4")
- Model 2A09-10 — Semi-Recessed**  
(recesses 4"; projects 8-1/2")
- Model 2A09-11 — Surface-Mounted**  
(projects 13-1/4")

Diplomat Series

Roll Paper Towels

### Product Materials

**CABINET:** 0.030-inch/22ga.-(0.76 mm) stainless steel with exposed surfaces in architectural satin finish. Welded construction with seamless corners and burr-free edges.

**FLANGE:** 0.030-inch/22ga.-(0.76 mm) stainless steel with exposed surfaces in architectural satin finish. One-piece seamless construction, 1" wide with 1/4" return.

**DOOR:** 0.036-inch/20ga.-(0.92 mm) stainless steel with full length piano hinge and tumbler lock keyed like other Bradley units. Front of door has matching curvature to other Bradley Diplomat washroom accessories.

**TOWEL DISPENSER:** Owner provided.

### Capacity

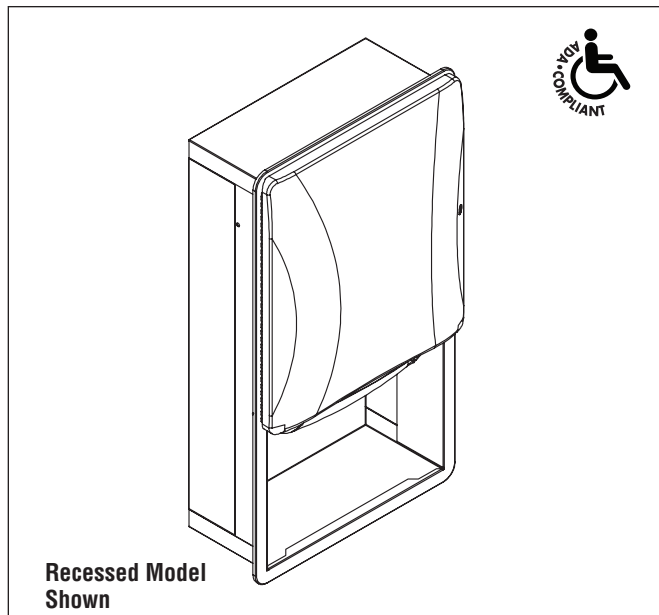
One standard core 8"W x 8" diameter standard roll paper towels.

### Operation

Operates with less than 5 lbs. of force. Towel dispenser delivers preset length of towel (5-1/2" per stroke).

### Installation

Verify all rough-in dimensions prior to installation. Recessed unit requires rough wall opening 15-1/2"W x 29-1/8"H x 9-3/4"D. (Semi-recessed unit only 4"D). Secure to framing with mounting screws (not included) at holes provided. Shim at screw points as required.



**Recessed Model Shown**

### Guide Specification

Housing to accept owner's roll paper towel dispenser in [recessed] [semi-recessed] [surface-mounted] wall cabinet. Towel cabinet door face formed with contemporary contours, radii, and finish matching related accessories in manufacturer's designer series. Cabinet accepts owner-furnished roll paper towel dispenser, with hinged service door with keyed tumbler lock. Universal keying. Cabinet and door formed from stainless steel sheet, 0.030-inch / 22-ga. thick, with satin finish on exposed surfaces, fully welded, with seamless corners and burr-free edges. Confirm owner dispenser and dispenser housing dimensions.

**Overall dimensions: 17-1/8"W x 30-5/8"H x 12-1/2"D.**

**MasterFormat Title:** Commercial Toilet Accessories

**MasterFormat Number:** 10 28 13.13

**OmniClass Title:** Toilet and Bath Specialties

**OmniClass Code:** 23.31.25.00

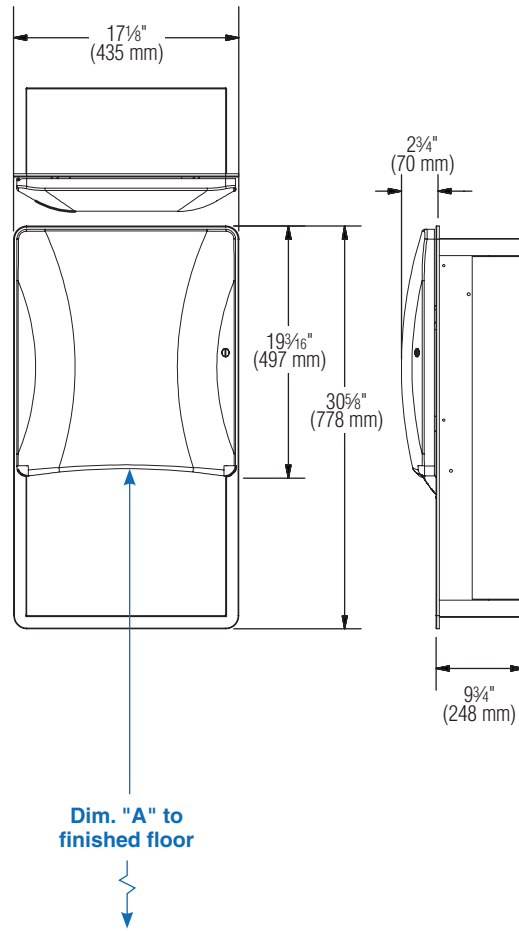
### ADA Compliant

- Consult local and national accessibility codes for proper installation guidelines.
- Conformity and compliance to local and national codes is the responsibility of the installer.

**For information on Warranties, Maintenance and BAA/ARRA Compliance, visit our web site at:**  
[bradleycorp.com/products/accessories/](http://bradleycorp.com/products/accessories/).

**Washroom Accessories  
Document No. 9411**

Dimensions



Dim. "A" Key Surface:	For Dim. "A"	Locate Top of Rough Wall Opening	Locate Bottom of Rough Wall Opening
Paper towel top of opening to finished floor	48" (1219mm)	66 1/4" (1683mm)	37 1/8" (943mm)
	45" (1143mm)	63 1/4" (1607mm)	34 1/8" (867mm)
	42" (1067mm)	60 1/4" (1530mm)	31 1/8" (791mm)
	40" (1016mm)	58 1/4" (1480mm)	29 1/8" (740mm)

Washroom Accessories  
Document No. 9411