

- ADA and TAS Compliant
- Serves One or Two Users at a Time
- Standard Lavatory Spacing on 30" Centers
- Elongated Basin is Constructed of Evero™ Natural Quartz Surface
- Select a Bradley Faucet or faucet by others
- Available in 20 Evero Natural Quartz Surface Colors

Specifications

Accommodates one or two users. The units handle washroom traffic quickly and economically, while providing each user with personal space. The Verge® Lavatory System is designed with standard lavatory spacing positioned on 30" centers.

Construction

Bowl

Evero Geo Series is a natural quartz surface made from a blend of bio-based resin, natural quartz, granite and other exotic minerals. It is made of 25% recycled content.

Evero Pearl Series is a natural quartz surface made with bio-based resin, sea shells, recycled glass and natural quartz. It is made of 70% recycled content.

- Variations in the natural stone color, pattern, size, shape and shade are inherent. Due to these unique characteristics, please expect subtle shade variations when units are installed adjacent to each other.

Pedestal

Panel is composed of decorative 300 series stainless steel.

Support Frame

Bowl assembly and pedestal panel are secured to a heavy gauge stainless steel support frame mounted to wall.

Vandal Resistance

Water supplies, valves, waste assembly and other optional items are concealed within the pedestal/frame.

Code Compliance and Certifications

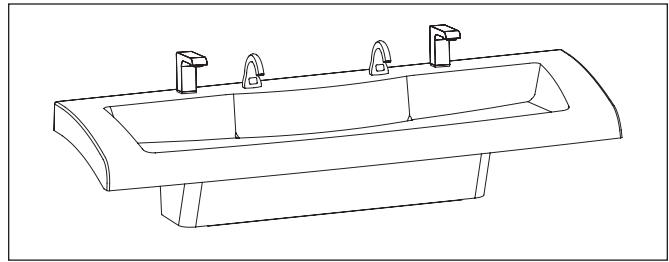
ANSI Standards

Evero Natural Quarts Surface meets the requirements of ANSI Z124.3.

cUPC Approval

Verge Lavatory System is Uniform Plumbing Code (UPC), International Plumbing Code (IPC) and National Plumbing Code of Canada (NPC) approved through the International Association of Plumbing and Mechanical Officials (IAPMO). Manufactured in compliance with IGC 156, CSA B45 Series (R08) & ASME A112.18.1/CSA B125.1.

- This plumbing fixture is designed for hand washing only. It is not intended to dispense water for human consumption through drinking or for preparation of food or beverages.



Models (Must select one)

- | Model | Description |
|--------------------------------|--|
| <input type="checkbox"/> LVGD2 | Verge Lavatory System – LVGD-Series, Two-Station |

Standard Selections (Must select one from each category)

Faucet Drilling (select one)

- | | | | |
|---------------------------------|---------------------------|----------------------------------|-----------------------------|
| <input type="checkbox"/> 4" SET | 4" Centerset Drilling | <input type="checkbox"/> SHANK | Centershank Drilling |
| <input type="checkbox"/> IR-DCD | D Infrared Faucet Battery | <input type="checkbox"/> CAP-DCA | A Capacitive Faucet Battery |

Soap Dispenser (select one)

- | | |
|--------------------------------------|---|
| <input type="checkbox"/> 6324-68 | 32-oz. Plastic Globe, 4" Spout |
| <input type="checkbox"/> 6315-KT0000 | Battery IR Metering Soap Dispenser Kit (with batteries and 1,000-shot soap) |
| <input type="checkbox"/> 6334 | Lavatory-Mounted Soap Dispenser |
| <input type="checkbox"/> SDO | Soap Drilling Only |
| <input type="checkbox"/> NSD | No Soap Dispenser |

Water Supply (select one)

- | | |
|-------------------------------|--|
| <input type="checkbox"/> TMA | Navigator® Thermostatic Mixing Assembly (Hot and Cold Supplies) w/Stops and Supply Hoses |
| <input type="checkbox"/> NONE | No Valve Option Selected |

Color of Evero™ Bowl (select one)

Geo Series

- | | | | | | |
|-------------------------------------|-------------|-----------------------------------|---------------|------------------------------------|-----------|
| <input type="checkbox"/> AMAZON | Amazon | <input type="checkbox"/> MARAKESH | Marakesh | <input type="checkbox"/> SAHARA | Sahara |
| <input type="checkbox"/> ANTARCTICA | Antarctica | <input type="checkbox"/> MOJAVE | Mojave | <input type="checkbox"/> SERENGETI | Serengeti |
| <input type="checkbox"/> BLACK-SEA | Black Sea | <input type="checkbox"/> NASSAU | Nassau | <input type="checkbox"/> TUSCANY | Tuscany |
| <input type="checkbox"/> CABO | Cabo | <input type="checkbox"/> NEPAL | Nepal | <input type="checkbox"/> YUKON | Yukon |
| <input type="checkbox"/> GLACIER | Glacier Bay | <input type="checkbox"/> PUNALUU | Punaluu Beach | <input type="checkbox"/> ZANZIBAR | Zanzibar |

Pearl Series (available at an additional charge) (Non-cancelable, non-returnable)

- | | | | | | |
|----------------------------------|---------|-------------------------------------|------------|-----------------------------------|----------|
| <input type="checkbox"/> ABALONE | Abalone | <input type="checkbox"/> BLACK-MOON | Black Moon | <input type="checkbox"/> TAHITIAN | Tahitian |
| <input type="checkbox"/> AKOYA | Akoya | <input type="checkbox"/> SOUTH-SEA | South Sea | | |

Color of Access Panel (select one)

- | | |
|--------------------------------|-----------------|
| <input type="checkbox"/> STAIN | Stainless Steel |
|--------------------------------|-----------------|

P-Trap:

- | | |
|------------------------------------|-------------------------------------|
| <input type="checkbox"/> S-PLASTIC | Single Plastic Polypropylene P-Trap |
| <input type="checkbox"/> S-CHROME | Single Chrome-Plated P-Trap |

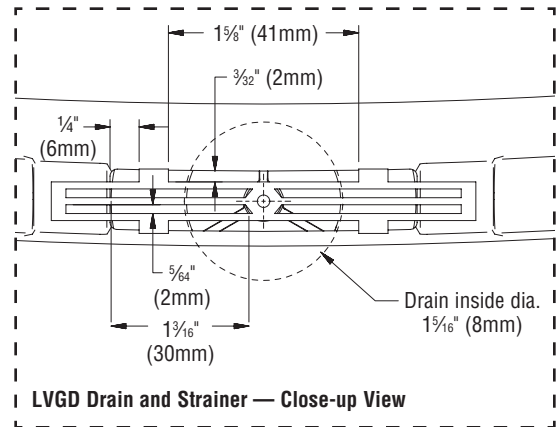
Optional Selections

- | | |
|-----------------------------------|---|
| <input type="checkbox"/> PT | 110-120 VAC plug-in adapter to convert battery IR faucet |
| <input type="checkbox"/> P19-231F | AC Adapter - 6315 soap dispenser (must order as a separate line item) |

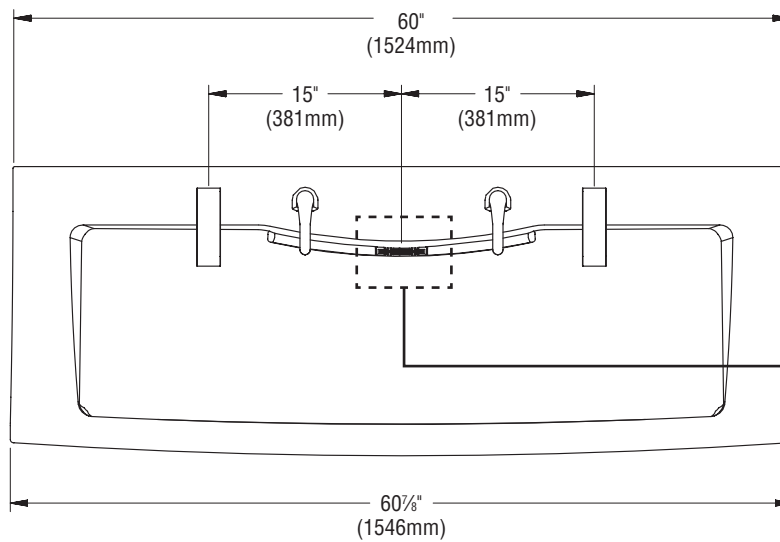
For more information on Evero Natural Quartz Surface, faucets, valves, transformers, and the sensor-operated soap dispenser, please visit bradleycorp.com.

Protected by one or more of the following U.S. Patents: D625,792 S; D633,992 S; and D642,664 S.

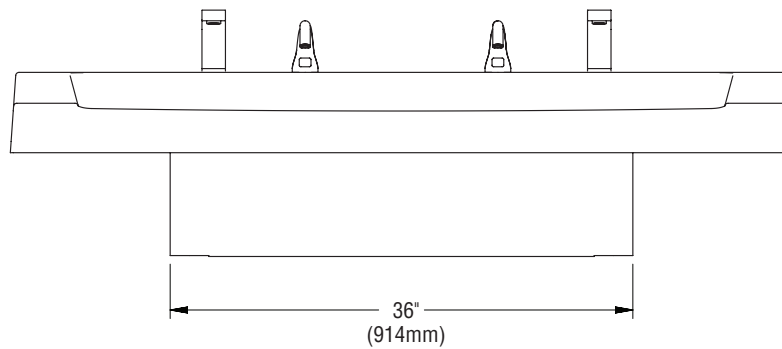
Dimensions for LVGD2 Verge Lavatory Systems



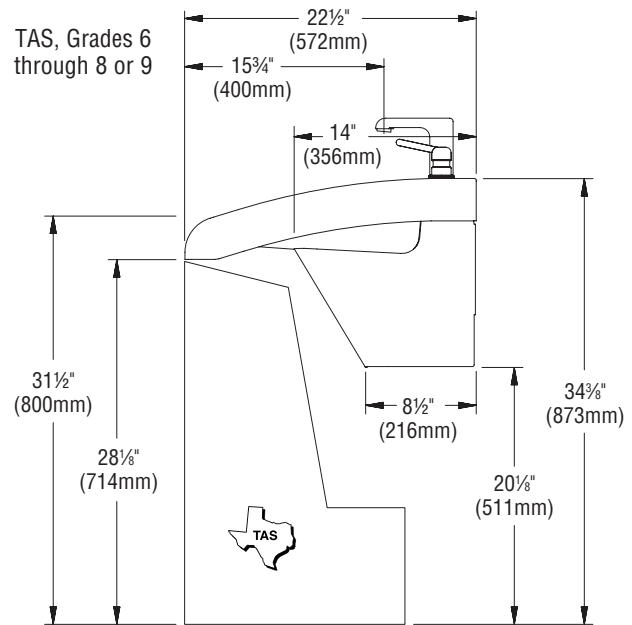
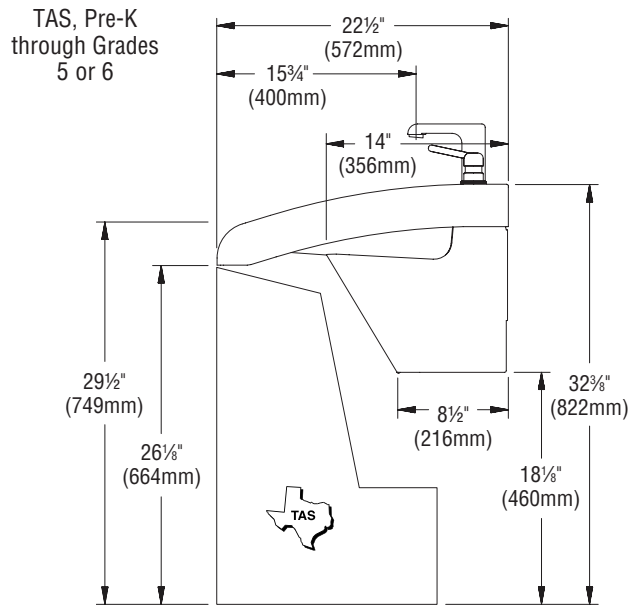
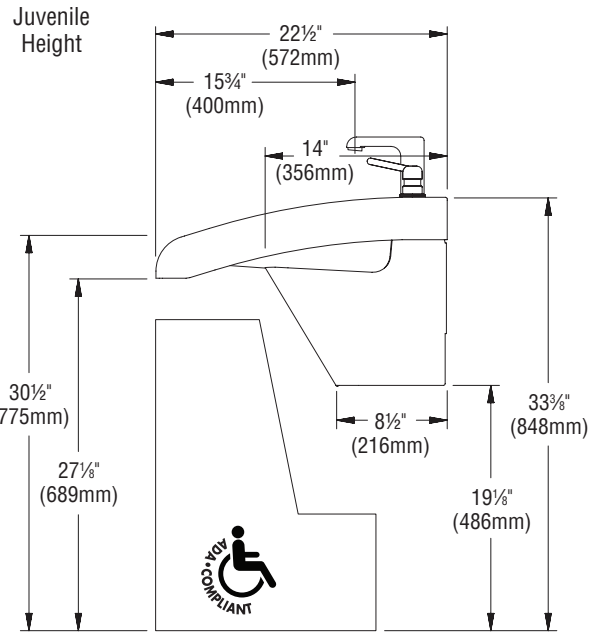
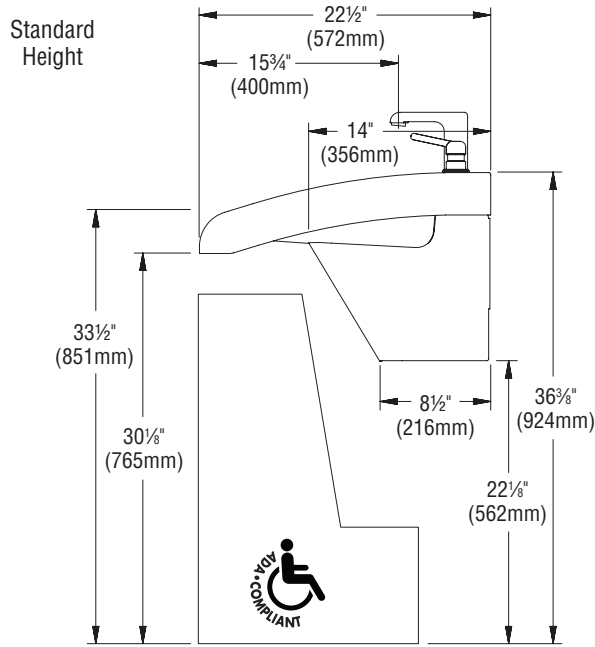
Top View



Front View



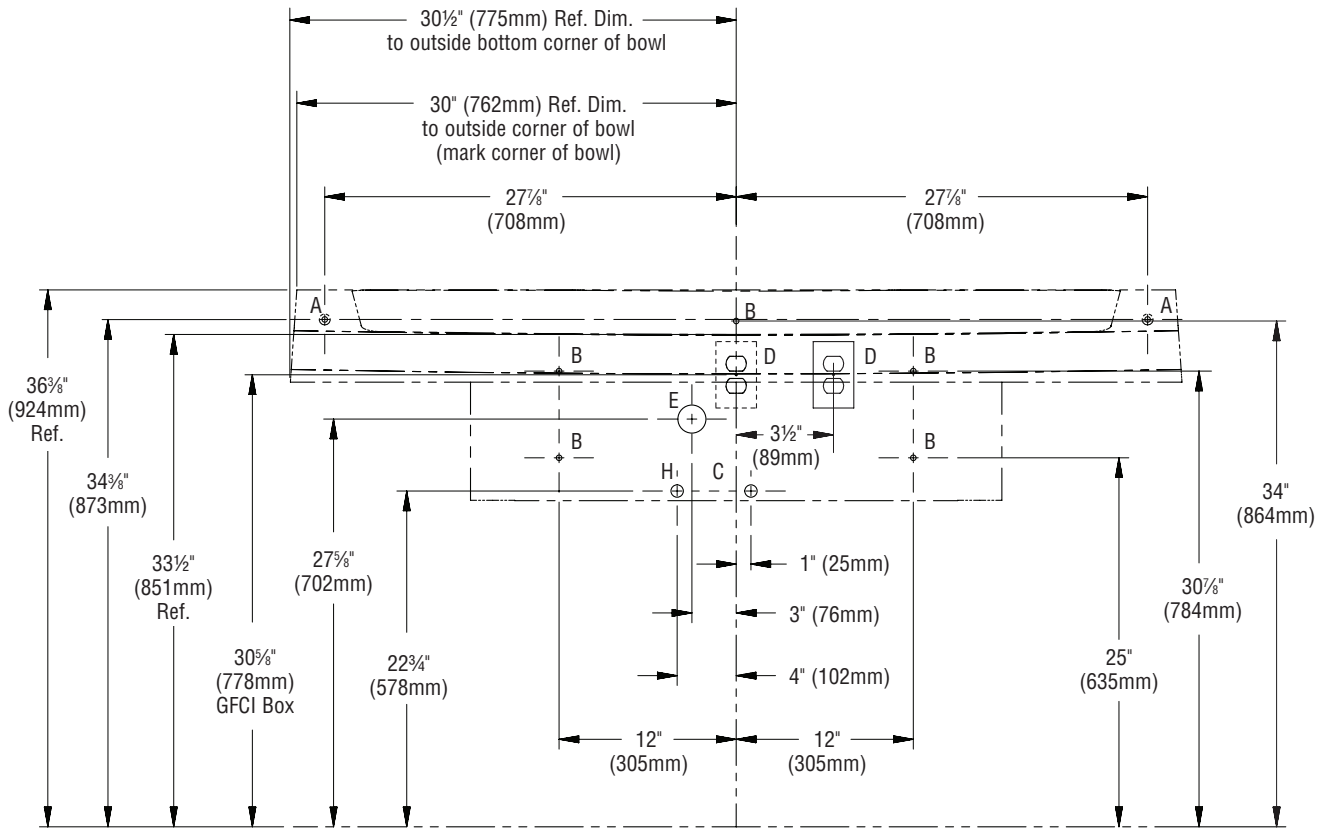
Dimensions for LVGD2 Verge Lavatory Systems



Rough-Ins for LVGD2 Verge Lavatory Systems

Standard rough-in shown.

Reinforce wall at points A and B.



| CODE | DESCRIPTION | QTY. |
|------|--|------|
| A | 3/8" Lav Deck Bowl Anchors with a Minimum Pull-Out Force of 1,000 lbs. (reinforce walls at anchor points) | 2 |
| B | 3/8" Lav Deck Frame Anchors with a Minimum Pull-Out Force of 1,000 lbs. (reinforce walls at anchor points) | 5 |
| H, C | 1/2" NPT Hot/Cold Supplies, Stub-Out 2" From Wall | 1 |
| D | 110v GFI Protected Electrical Outlet (AC version only) <i>Two single outlets are required for CAP-DCG or CAP-DCA faucets due to the size of the transformers.</i> | 2 |
| E | 1 1/2" NPT Drain, Stub-Out 2" from Wall | 1 |

| RIM HEIGHT | VERTICAL HEIGHT ADJUSTMENTS FOR CODES A-E and H | FIXTURE STYLE |
|------------|---|----------------------------------|
| 33 1/2" | None | Standard Height |
| 31 1/2" | Subtract 2" | TAS, Grades 6 through 8 or 9 |
| 29 1/2" | Subtract 4" | TAS, Pre-K through Grades 5 or 6 |
| 30 1/2" | Subtract 3" | Juvenile Height |