

IMAGER

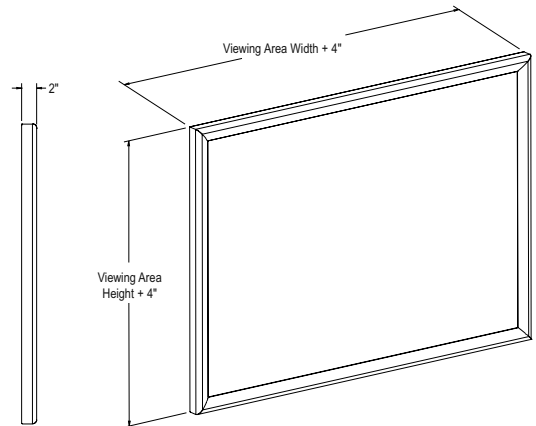
Wall-Mounted Projection Screen

When ordering, make appropriate selections:

- Select size from charts at the lower right.
- Select viewing surface:
  - Da-Mat
  - High Contrast Da-Mat
  - Cinema Vision
  - High Contrast Cinema Vision
  - Pearlescent
  - Audio Vision
  - High Contrast Audio Vision
  - High Contrast Cinema Perf
  - Da-Tex (Rear)
  - Dual Vision
  - GREENGUARD and GREENGUARD Children and Schools Certified.

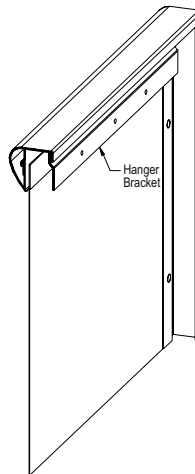


- Permanent wall-mounted screen.
- Aluminum frame.



3. Options:

- Pro-Trim: Pro-Trim is a fabric covering that aesthetically enhances the appearance of the installation. Pro-Trim provides a stylish masked border while absorbing the light that surrounds the viewing area.
- Veneer Frame Finish (Choose from seven standard veneers).
  - Light Oak
  - Medium Oak
  - Natural Walnut
  - Heritage Walnut
  - Mahogany
  - Cherry
  - Honey Maple
- Velcro Attachment (snaps standard).
- Pro Imager Masking System (Refer to the Pro Imager specification data sheet for size availability and more details).



SUGGESTED SPECIFICATIONS:

\_\_\_\_\_ projection screen(s), \_\_\_\_\_ (H) x \_\_\_\_\_ (W).

To have flexible screen surface, fire retardant and mildew resistant. Screen surface will attach to frame with snaps. Frame will conceal all binding and attachment materials. Screen frame will be textured matte black powder coated aluminum. Frame will be miter cut (45°) at corners. Wall mounting bracket will be included.

All Da-Mat, High Contrast Da-Mat, Cinema Vision, High Contrast Cinema Vision, Pearlescent, Da-Tex and Dual Vision surfaces are seamless up to 16' high.

Audio Vision, High Contrast Audio Vision and High Contrast Cinema Perf surfaces are available in sizes up to 8' high.

All viewing surfaces are standard with black backing except Da-Tex and Dual Vision.

Detailed dimensional drawings and installation instructions available upon request. Specifications subject to change without notice.

4:3 VIDEO FORMAT DIMENSIONS

Viewing Area H x W	Nominal Diagonal Size	Overall Dimensions H x W	Approx. Shipping Wt. Lbs.
36" x 48"	60"	40" x 52"	20
43" x 57½"	72"	47" x 61½"	24
50½" x 67"	84"	54½" x 71"	27
57½" x 77"	96"	61½" x 81"	30
60" x 80"	100"	64" x 84"	32
72" x 96"	120"	76" x 100"	37
90" x 120"	150"	94" x 124"	50

16:9 HDTV FORMAT DIMENSIONS

Viewing Area H x W	Nominal Diagonal Size	Overall Dimensions H x W	Approx. Shipping Wt. Lbs.
37½" x 67"	77"	41½" x 71"	24
40½" x 72"	82"	44½" x 76"	27
45" x 80"	92"	49" x 84"	28
49" x 87"	100"	53" x 91"	32
52" x 92"	106"	56" x 96"	33
54" x 96"	110"	58" x 100"	34
58" x 104"	119"	62" x 108"	38
65" x 116"	133"	69" x 120"	44
78" x 139"	159"	81" x 143"	46

CINEMASCOPE FORMAT DIMENSIONS

Viewing Area H x W	Nominal Diagonal Size	Overall Dimensions H x W	Approx. Shipping Wt. Lbs.
37½" x 88"	96"	41½" x 92"	32
40½" x 95"	103"	44½" x 99"	34
45" x 106"	115"	49" x 110"	38
49" x 115"	125"	53" x 119"	43
52" x 122"	133"	56" x 126"	45
54" x 126"	138"	58" x 130"	46
58" x 136½"	148"	62" x 140½"	48

Overall frame dimensions ±¼".

Note: Custom formats and sizes available upon request.