

INSTALLATION INSTRUCTIONS

WOOD HANDRAIL SYSTEM WHRO-55,WHROBT-55

STORAGE, HANDLING & ENVIRONMENTAL CONDITIONS:

1. All materials shipped unassembled. Store vertically or on a flat horizontal surface.
2. Begin installation only after finish construction has been completed and building interior has been within temperature range for continued use for at least 24 hours.

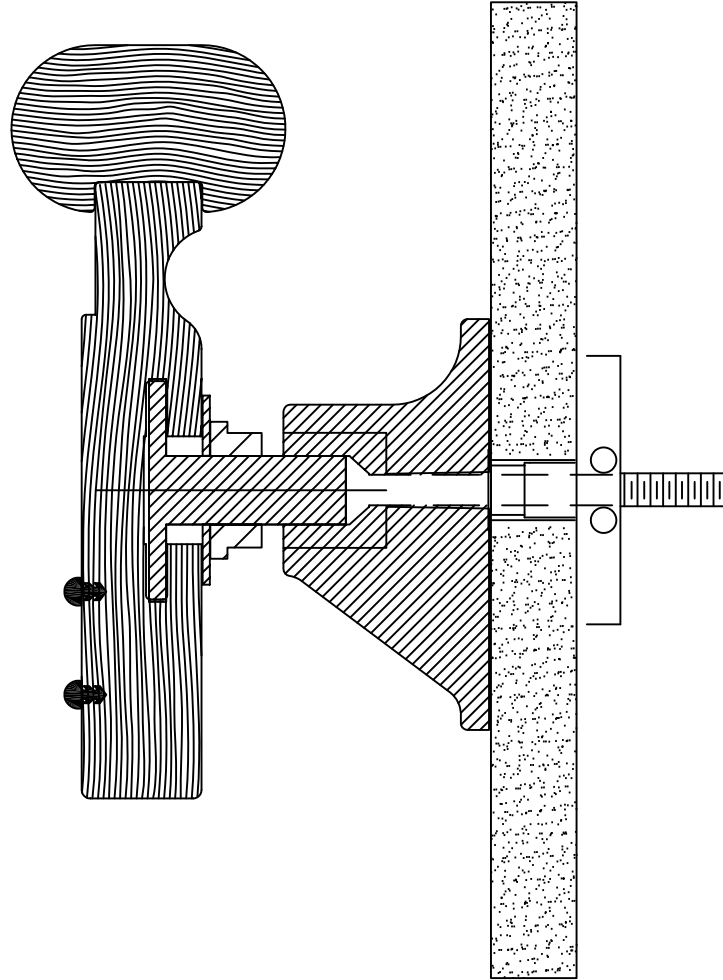
INSTALLATION:

See Standard Plan Detail for necessary installation dimensions.

1. Measure and mark vertical centerline for handrail mounting brackets on the wall or partition. Locate this centerline by subtracting 3 1/4" from the desired finished height of handrail.
2. Measure and mark handrail section endpoints on the wall or partition.
3. Measure and mark handrail lengths and location of returns or splices on the wall or partition. Because the handrail is furnished in random lengths, it is important to plan carefully to obtain maximum yield. Because of the natural variations that occur in wood, sort wood components and match parts by color.
4. Attach returns to handrail sections. Insert aluminum attachment bracket into handrail until all the barbs are in the handrail groove. Screw in place with #8x3/8" screws provided. Slide wood peg on return into handrail. The peg can be sanded to adjust alignment. Ease the edges of the handrail and return with fine sand paper before final assembly. Secure the bracket to handrail with the screws provided. Wood glue may be used to increase structural integrity and the tightness of the joint.
5. Mark the location of the handrail mounting brackets on the vertical centerline on wall. Locate brackets a maximum 32"(812.8mm) O.C., unless otherwise specified, at distances from the end of sections as shown on the Standard Plan Detail.
6. Install mounting bracket anchors on wall or partition to receive 1/4" x 20 mounting screws. We recommend type BB Toggler anchors by Mechanical Plastics for hollow wall applications.
7. Install mounting brackets on wall or partition. Put the 1/4" x 20 machine screws provided through the metal cup, and insert the assembly into the recess in the mounting bracket as shown on detail sheet. Tighten the screws, making sure the brackets are all orientated properly.
8. Install mounting hardware. Assemble the 1/2" T-bolt, washer, and nut as shown on detail. Nut should be screwed on to the bolt to within 5/16"[7.3mm] of the 'T'. Screw the assembly into the cups in the mounting brackets. Turn the screws finger tight, then use a wrench to rotate all the bolts clockwise so the Ts are horizontal.
9. Install the handrail sections. Slide the handrail sections over the T-bolts. Using a wrench, turn the T-bolts clockwise 1/4 turn in to the groove in the rail. Tighten the attachment nut.
10. Clean the handrail and wall. Touch up any exposed wood surfaces with the touch up pen or stain provided.
11. For BT models: Starting at one end, press the bumper cushion in to the grooves on the return, handrail, and opposite return. Take care not to stretch the cushion when pressing it in. It will shrink back to its original size, leaving a gap. Trim the bumper to length.

PARTS LIST

WHRO-55, WHROBT-55



WHRO-55, WHRO-55BT

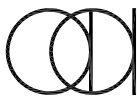
Handrail W101-X

Bracket M290-X

Hardware 290HD

(Optional)

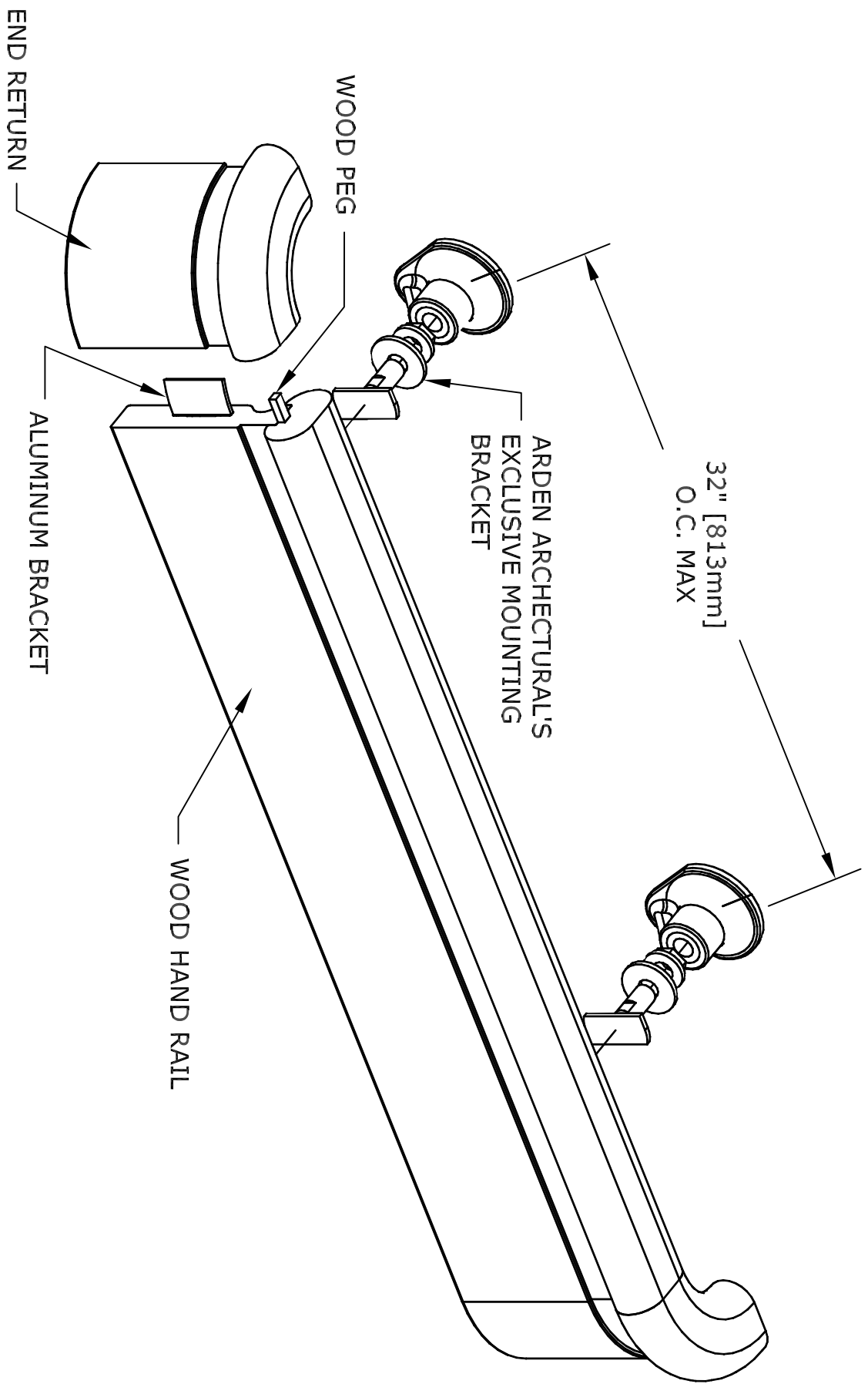
Bumperettes V117BLACK



Arden
Architectural
Specialties, Inc.™

151 FIFTH AVE. NW SUITE J ST. PAUL, MN 55112-3268
TOLL-FREE 800.521.1826 TEL 651.631.1607 FAX 651.631.0251

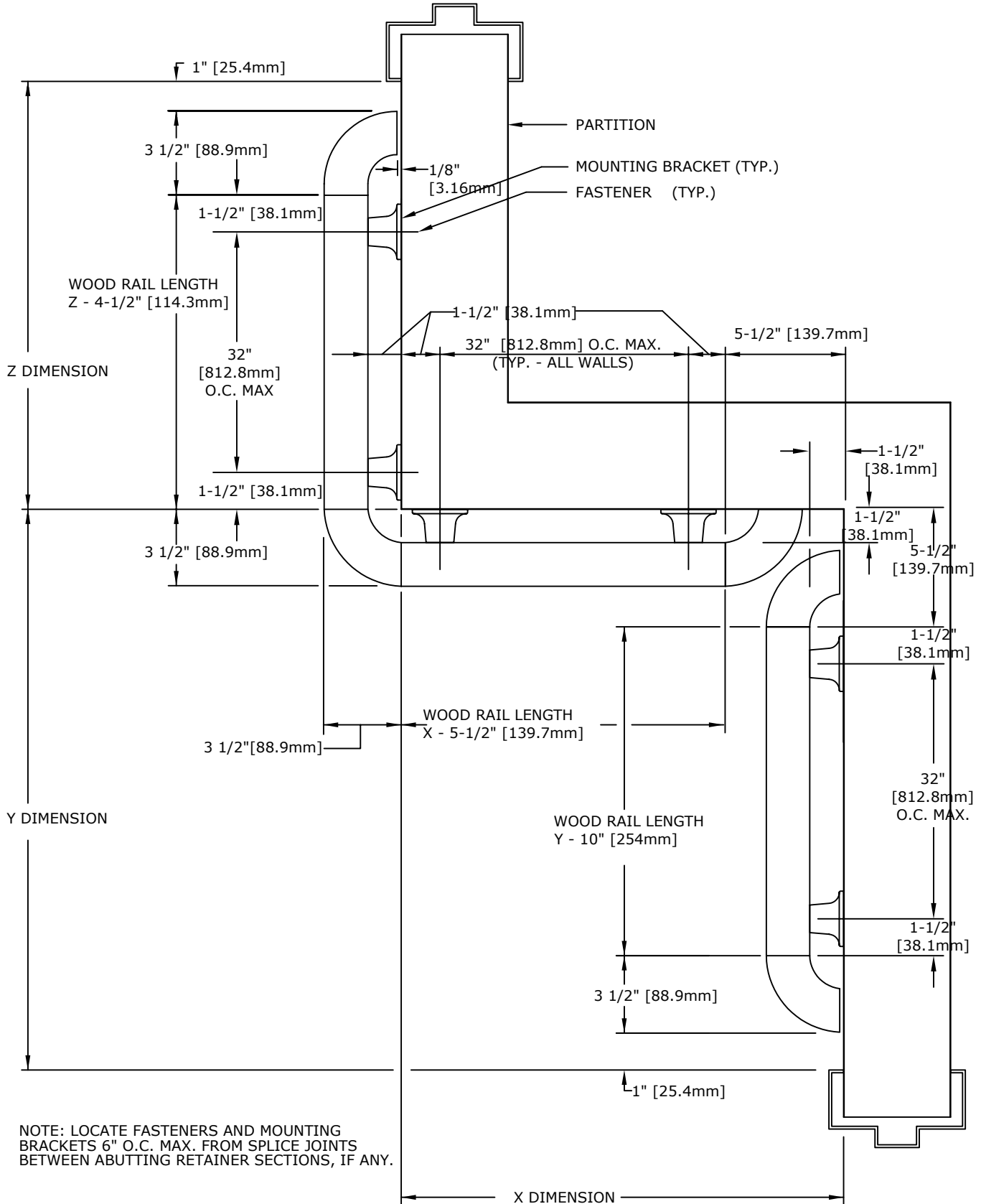
ASSEMBLY DRAWING
WHRO-55, WHROBT-55
(WHRO-55 SHOWN)



Arden
Architectural
Specialties, Inc.™

151 FIFTH AVE. NW SUITE J ST. PAUL, MN 55112-3268
TOLL-FREE 800.521.1826 TEL 651.631.1607 FAX 651.631.0251

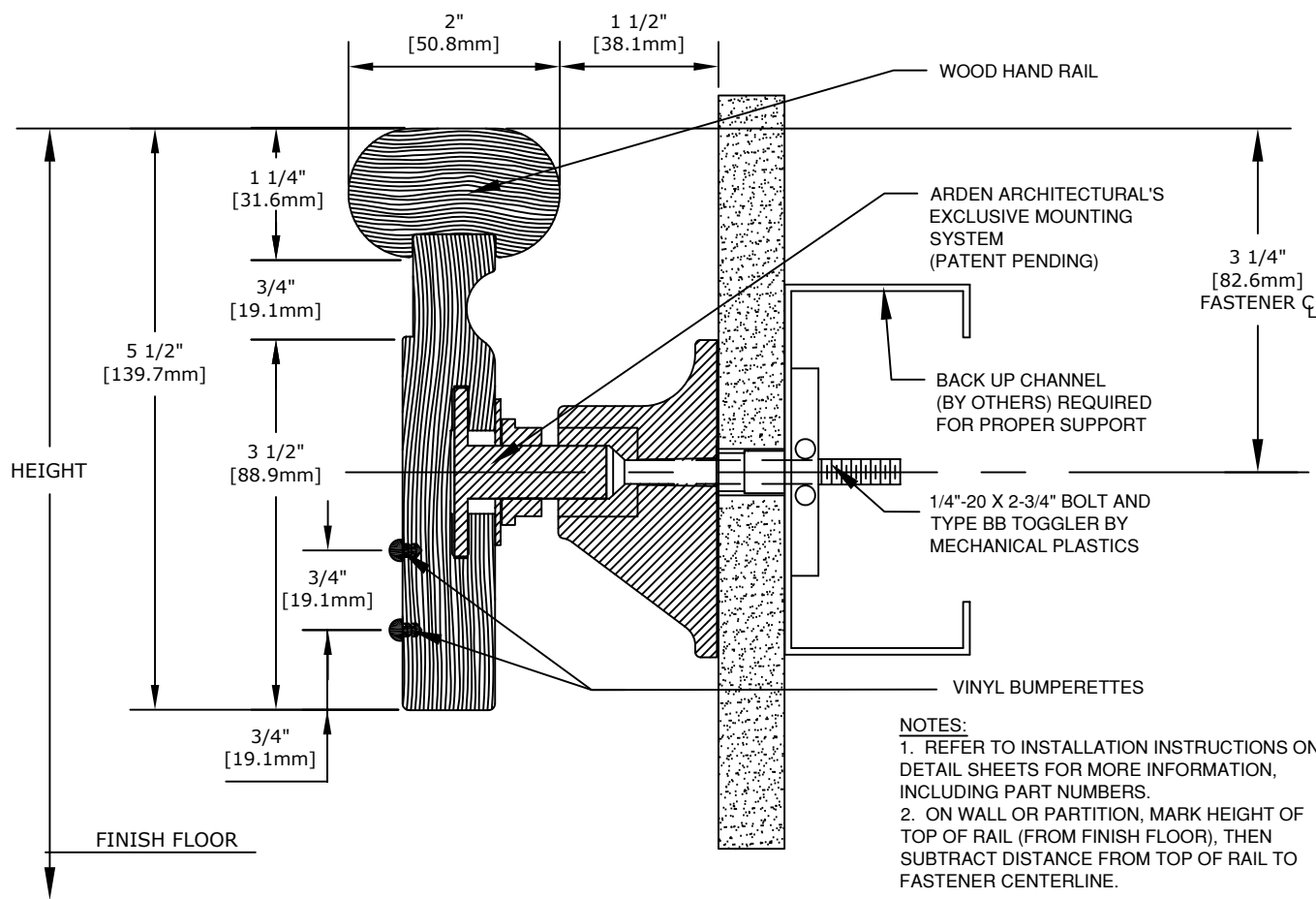
STANDARD PLAN DETAIL WHRO-55, WHROBT-55



NOTE: LOCATE FASTENERS AND MOUNTING BRACKETS 6" O.C. MAX. FROM SPLICE JOINTS BETWEEN ABUTTING RETAINER SECTIONS, IF ANY.

FASTENER HEIGHTS WHRO-55, WHROBT-55

(WHROBT-55 SHOWN)

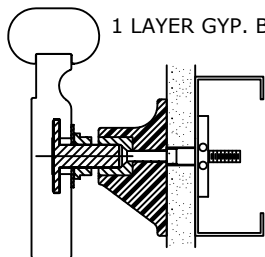


- NOTES:**
1. REFER TO INSTALLATION INSTRUCTIONS ON DETAIL SHEETS FOR MORE INFORMATION, INCLUDING PART NUMBERS.
 2. ON WALL OR PARTITION, MARK HEIGHT OF TOP OF RAIL (FROM FINISH FLOOR), THEN SUBTRACT DISTANCE FROM TOP OF RAIL TO FASTENER CENTERLINE.

IMPORTANT: USER SHALL VERIFY CONFORMANCE OF ALL CONSTRUCTIONS SHOWN WITH LOCAL CODES AND WITH REQUIREMENTS OF METAL STUD MANUFACTURER FOR RATINGS. FASTENERS AND PARTITION COMPONENTS NOT BY ARDEN ARCHITECTURAL SPECIALTIES, INC.

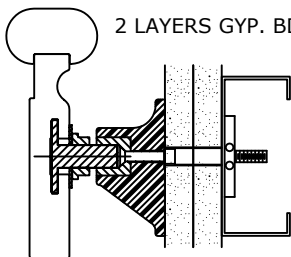
TYPICAL FASTENING CONDITIONS SHOWN BELOW

1 LAYER GYP. BD.



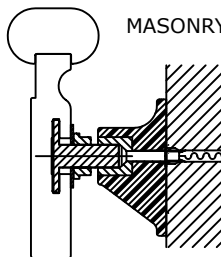
1/4"-20 X 2-3/4" BOLT
AND TYPE BB TOGGLER
BY MECHANICAL PLASTICS

2 LAYERS GYP. BD.



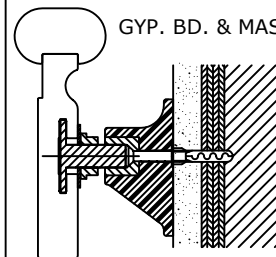
1/4"-20 X 3-1/2" BOLT
AND TYPE BB TOGGLER
BY MECHANICAL PLASTICS

MASONRY



1/4" X 3" LAG SCREW
AND TYPE AF6 ALLIGATOR
ANCHORS BY MECHANICAL
PLASTICS

GYP. BD. & MASONRY



1/4" X 3-1/2" LAG SCREW
AND TYPE AF6 ALLIGATOR
ANCHORS BY MECHANICAL
PLASTICS

SPECIFICATION:

GENERAL: FURNISH AND INSTALL HANDRAIL SYSTEM(S) BY ARDEN ARCHITECTURAL SPECIALTIES, INC., AS SHOWN AND SPECIFIED.

INSTALLATION: SECURE TO WALL OR PARTITION IN ACCORDANCE WITH MANUFACTURER'S PRINTED INSTRUCTIONS. USE FASTENERS DESIGNED AND APPROVED FOR PURPOSE INTENDED, SPACED 32 INCHES (812.8mm) O.C. MAX, UNLESS SPECIFIED OTHERWISE. INSTALL SYSTEM IN ACCORDANCE WITH ALL CODES HAVING JURISDICTION.



151 FIFTH AVE. NW SUITE J ST. PAUL, MN 55112-3268
TOLL-FREE 800.521.1826 TEL 651.631.1607 FAX 651.631.0251