

# INSTALLATION INSTRUCTIONS

## WOOD HANDRAIL SYSTEMS WHRB-55

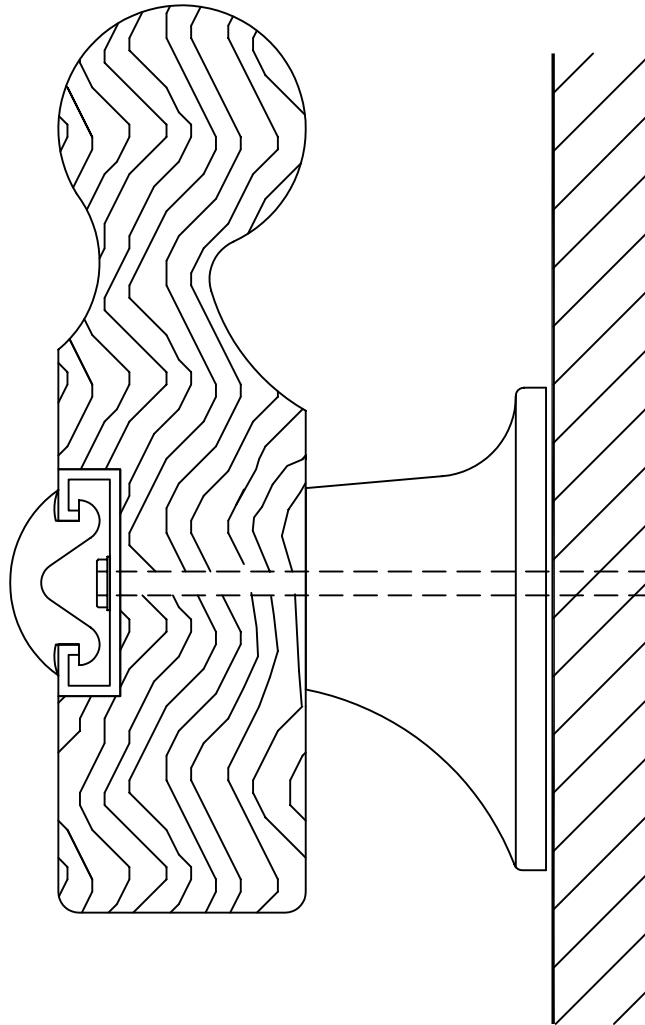
### STORAGE, HANDLING & ENVIRONMENTAL CONDITIONS:

1. All materials shipped unassembled. Store vertically or on a flat horizontal surface.
2. Begin installation only after finish construction has been completed and building interior has been within temperature range for continued use for at least 24 hours.

### INSTALLATION:

1. Measure and mark centerline of handrail mounting brackets on wall or partition. Locate this centerline by subtracting 3 ½ inches from the desired finished height of the railing.
2. Measure and mark handrail section end points on wall or partition. (See Standard Plan Detail on the reverse side.)
3. Measure and mark mounting bracket fastener holes. Locate holes on fastener centerline 32" O. C. maximum, unless otherwise specified, and at distances from ends of sections as shown on Standard Plan Detail.
4. Measure and plan handrail lengths. Since handrail is furnished in random lengths, it is important to plan carefully to obtain maximum yield. Remember to allow enough stock (4 ½") on each end of handrail to cut a matching end return. Where splices are necessary, for maximum strength and appearance we recommend mitering both pieces to be joined at 45 degrees. Do not splice where mounting bracket will be located. Allow extra stock on handrail sections requiring these miter joints.
5. Cut handrail sections and returns. Cut the returns first by making 45-degree cuts on both ends of the railing, and then the 22-½ degree cuts to form the returns. Trim the handrail to finished length with 22-½ degree cuts as shown on the Standard Plan Detail.
6. Assemble handrail sections. Attach returns with glue and biscuits. Stretch duct tape over the joints to hold them in position until the glue sets.
7. Install aluminum bumper retainer. Cut retainer for handrail lengths and returns, locating joints so they do not align with handrail splices. Secure to handrail with the 6 x 5/8" screws provided.
8. Pre drill fastener holes in wall or partition. Make hole diameter as small possible, allowing for fasteners. For most drywall applications, we recommend ¼ -20 round head machine screws and ¼" size BB strap type anchors by Mechanical Plastics. **IMPORTANT: THE ATTACHING FASTENERS MUST EXTEND THROUGH BLOCKING IN THE WALL OR STUDS TO PROPERLY SUPPORT THE HANDRAIL.** For most masonry applications, we recommend ¼" lag screws and Toggler brand alligator anchors, size A6, by Mechanical Plastics.
9. Pre-drill holes in handrail sections to align with holes in wall or partition. Make hole through the aluminum bumper retainer and the handrail as small as possible, allowing for fasteners.
10. Secure rail assemblies to wall or partition. Assemble fasteners, insert through handrail and into the holes in wall or partition, and secure per fastener manufacturers printed instructions.
11. Clean soiled surfaces, and touch up any joints with the stain provided.
12. Install vinyl bumper. Cut bumper to length from coils provided. At corners or at end returns, cut away retaining fingers on the back of bumper to allow the vinyl to conform to the handrail bend.

# PARTS LIST WHRB-55



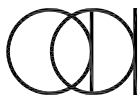
## WHRB-55

Wood Rail-W100-X

Wood Mounting Bracket-W101-X

Aluminum Bumper Retainer-A050

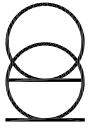
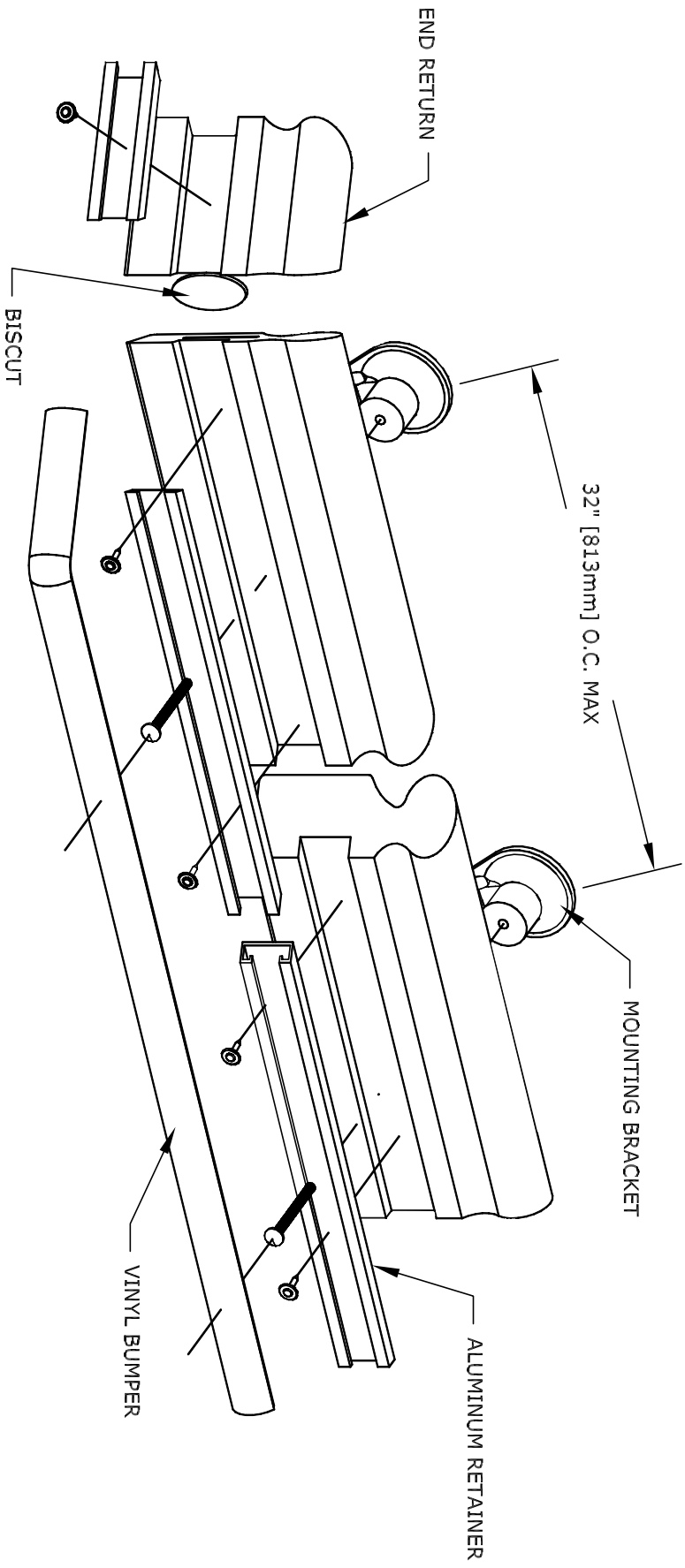
Vinyl Bumper-V115



Arden  
Architectural  
Specialties, Inc.™

151 FIFTH AVE. NW SUITE J ST. PAUL, MN 55112-3268  
TOLL-FREE 800.521.1826 TEL 651.631.1607 FAX 651.631.0251

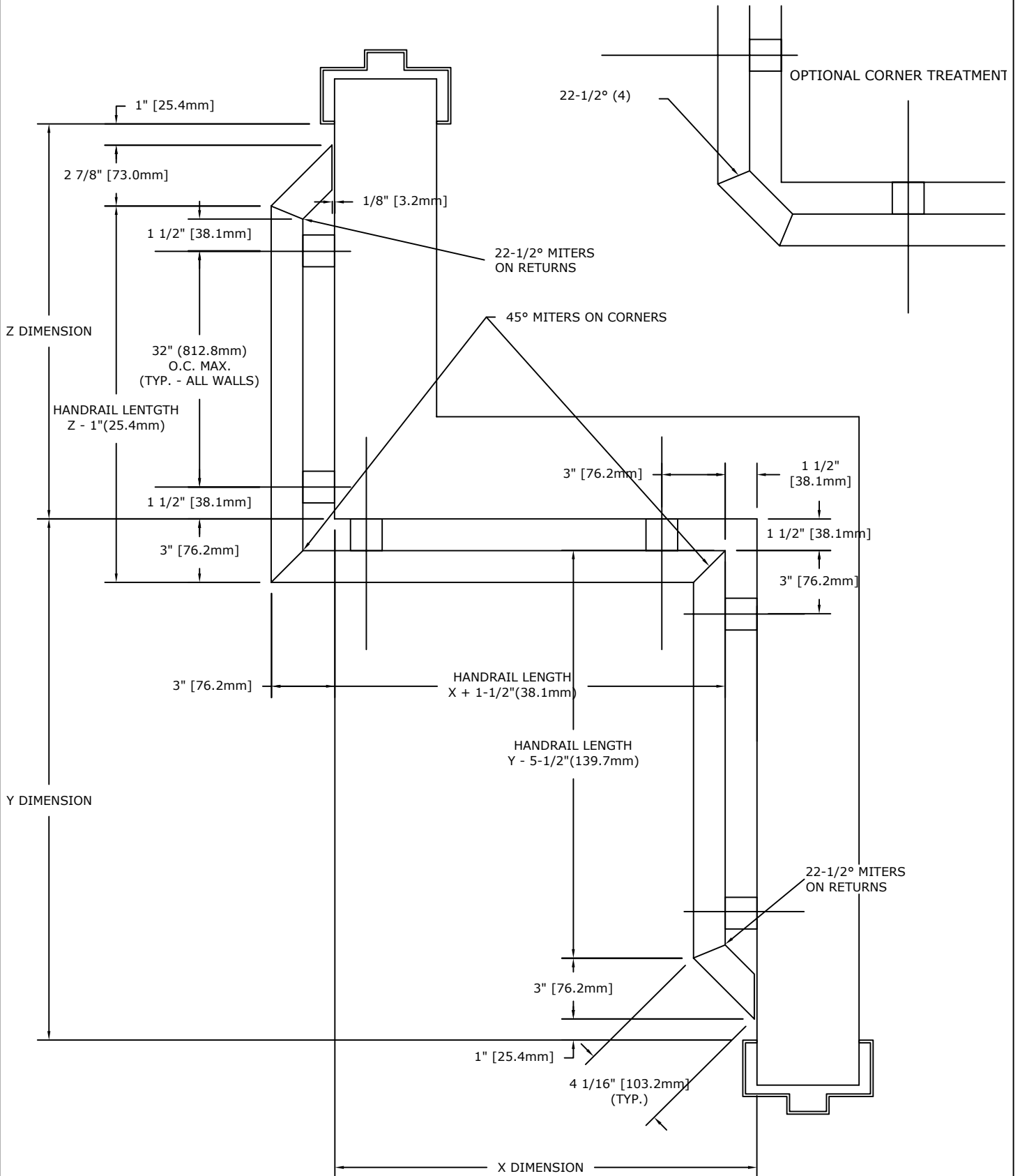
**ASSEMBLY DRAWING**  
**WHRB-55**



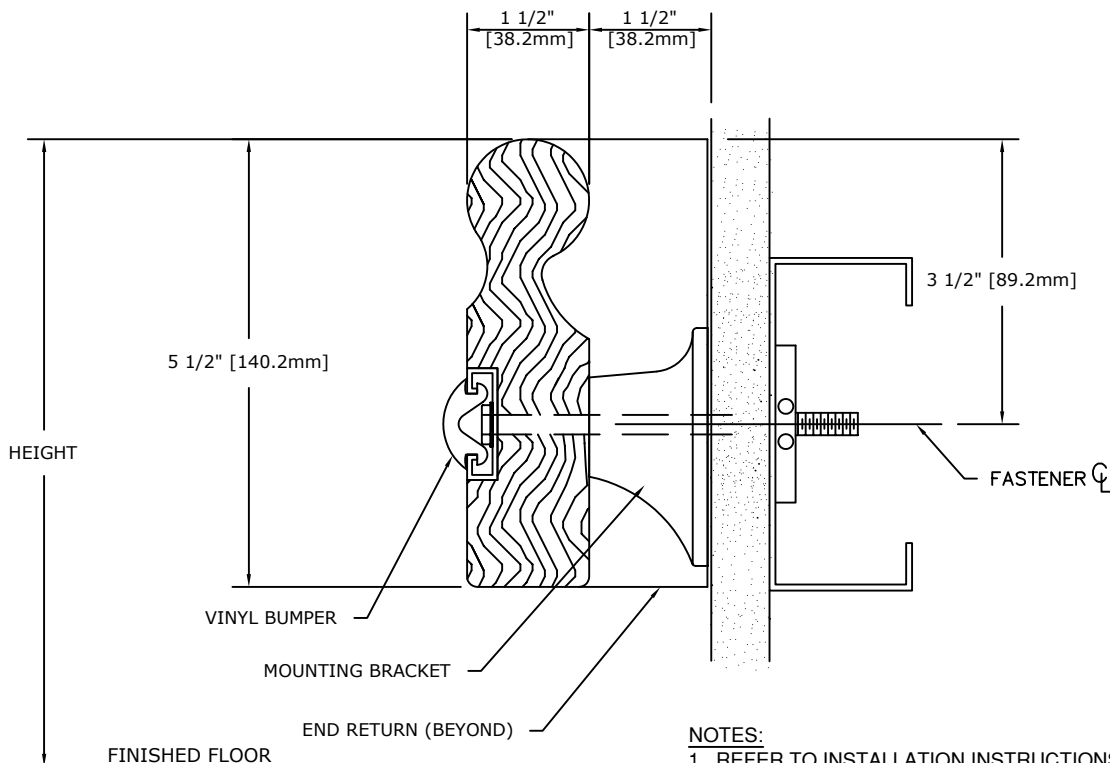
Arden  
Architectural  
Specialties, Inc.™

151 FIFTH AVE. NW SUITE J ST. PAUL, MN 55112-3268  
TOLL-FREE 800.521.1826 TEL 651.631.1607 FAX 651.631.0251

# STANDARD PLAN VIEW WHRB-55



# FASTENER HEIGHTS WHRB-55



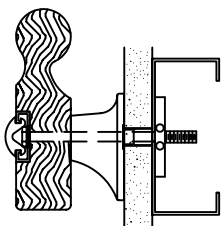
**NOTES:**

1. REFER TO INSTALLATION INSTRUCTIONS ON REVERSE SIDE AND TO DETAIL SHEETS FOR MORE INFORMATION, INCLUDING PART NUMBERS.
2. ON WALL OR PARTITION, MARK HEIGHT OF TOP OF RAIL (FROM FINISH FLOOR), THEN SUBTRACT DISTANCE FROM TOP OF RAIL TO FASTENER CENTERLINE.

**IMPORTANT:** USER SHALL VERIFY CONFORMANCE OF ALL CONSTRUCTIONS SHOWN WITH LOCAL CODES AND WITH REQUIREMENTS OF METAL STUD MANUFACTURER FOR RATINGS. FASTENERS AND PARTITION COMPONENTS NOT BY ARDEN ARCHITECTURAL SPECIALTIES, INC.

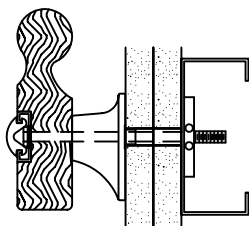
## TYPICAL FASTENING CONDITIONS SHOWN BELOW

1 LAYER GYP. BD.



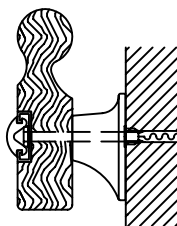
1/4"-20 X 2-3/4" BOLT  
AND TYPE BB TOGGLER  
BY MECHANICAL PLASTICS

2 LAYERS GYP. BD.



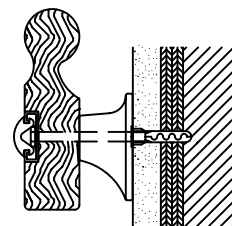
1/4"-20 X 3-1/2" BOLT  
AND TYPE BB TOGGLER  
BY MECHANICAL PLASTICS

MASONRY



1/4" X 3" LAG SCREW  
AND TYPE AF6 ALLIGATOR  
ANCHORS BY MECHANICAL  
PLASTICS

GYP. BD. & MASONRY



1/4" X 3-1/2" LAG SCREW  
AND TYPE AF6 ALLIGATOR  
ANCHORS BY MECHANICAL  
PLASTICS

**SPECIFICATION:**

**GENERAL:** FURNISH AND INSTALL HANDRAIL SYSTEM(S) BY ARDEN ARCHITECTURAL SPECIALTIES, INC., AS SHOWN AND SPECIFIED.

**INSTALLATION:** SECURE TO WALL OR PARTITION IN ACCORDANCE WITH MANUFACTURER'S PRINTED INSTRUCTIONS. USE FASTENERS DESIGNED AND APPROVED FOR PURPOSE INTENDED, SPACED 32 INCHES (812.8mm) O.C. MAX, UNLESS SPECIFIED OTHERWISE. INSTALL SYSTEM IN ACCORDANCE WITH ALL CODES HAVING JURISDICTION.



151 FIFTH AVE. NW SUITE J ST. PAUL, MN 55112-3268  
TOLL-FREE 800.521.1826 TEL 651.631.1607 FAX 651.631.0251