

# INSTALLATION INSTRUCTIONS

## WOOD HANDRAIL SYSTEM WHR-20

### STORAGE, HANDLING & ENVIRONMENTAL CONDITIONS:

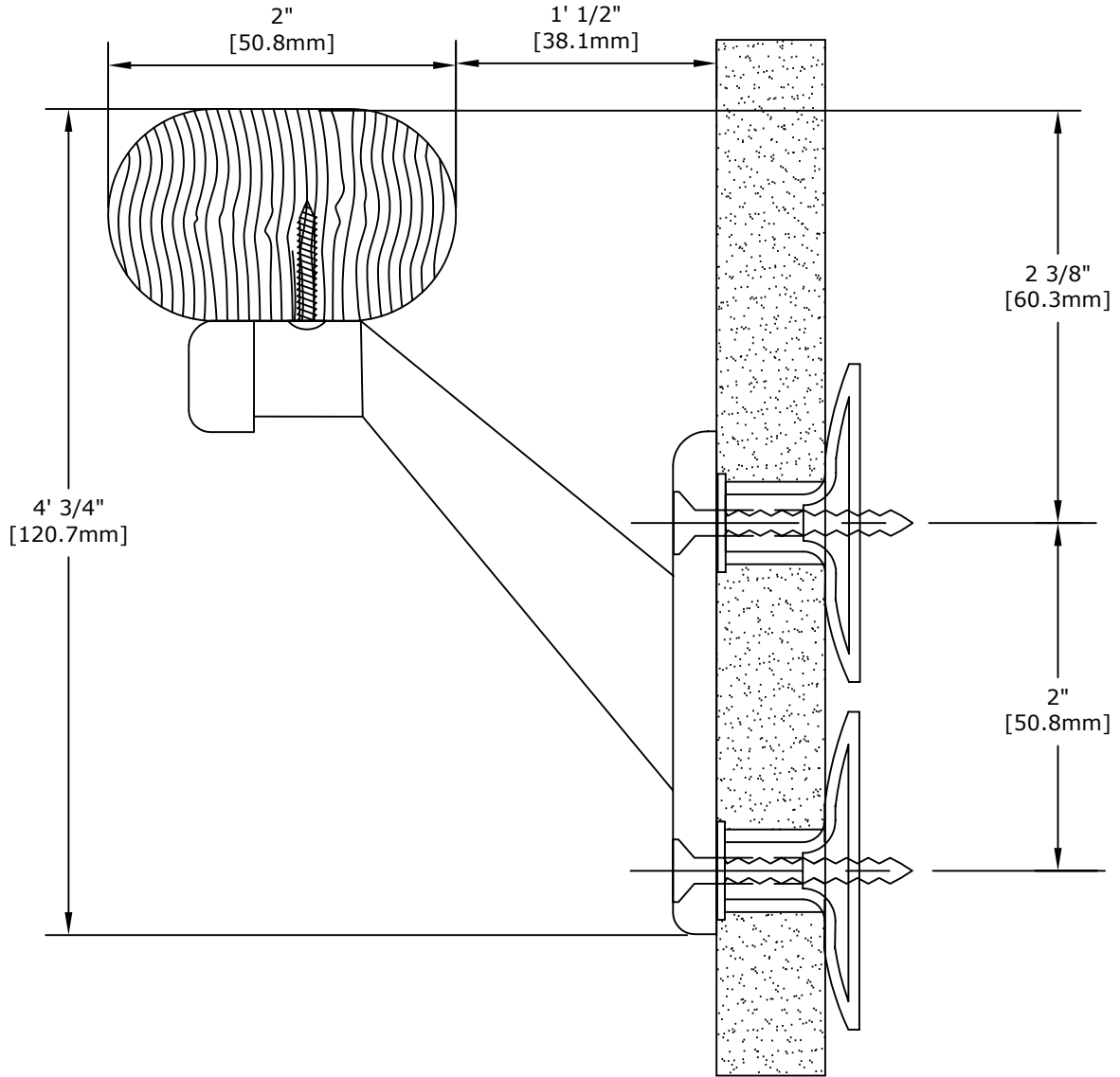
1. All materials are shipped unassembled. Store vertically or on a flat horizontal surface.
2. Begin installation only after finish construction has been completed and building interior has been within temperature range for continued use for at least 24 hours.

### INSTALLATION:

1. Measure and mark vertical centerline for handrail bracket screws on wall or partition. This line should be 2-3/8" [60.33mm] below the desired finished height of the railing.
2. Measure and mark handrail section end points on wall or partition. (See Standard Plan Detail.)
3. Measure and plan handrail lengths. Since the handrail is furnished in random lengths, it is important to plan carefully to obtain maximum yield. Remember to allow for returns and corners, per the Standard Plan Detail.
4. Assemble handrail sections and returns. Using the fixture provided, drill 5/16" [8mm] holes for dowels in the ends of the handrail sections for returns or corners, or where splicing is necessary. We recommend breaking the adjoining edges of the railing and returns slightly with sandpaper to hide minor alignment problems. Assemble with a good quality wood glue to insure a solid joint.
5. Mark horizontal centerline of handrail mounting brackets. Locate brackets a maximum of 32" O.C. [812.8mm] unless otherwise specified, and at distances from the ends of sections so shown on the Standard Plan Detail. Drilling into wall studs provides maximum support. A bracket is also required below the center of all handrail splices.
6. Measure and mark location of holes for mounting bracket screws. Using a bracket as a template, center the bracket on the horizontal centerlines (#5 above), and mark the two upper screw holes on the vertical centerline drawn in #1 above. The third screw will be 2" [50.8mm] below these.
7. Drill fastener holes for brackets in wall or partition. Use a strong anchor for brackets that do not line up on studs. We recommend type TC Super TOGGLERS by Mechanical Plastics for these applications.
8. Attach brackets to the wall using the screws provided.
9. Attach handrail to brackets. Lay the handrail sections on the installed wall brackets, and mark locations of bracket strap holes. Make sure the distance between the handrail and the wall does not exceed 1-1/2" [38.1mm]. Use a 7/64" [2.8mm] drill bit for the attachment screws. To prevent drilling through the handrail, use a piece of tape to mark the depth required for the screws. Attach railing to the brackets using the screws provided.
10. Clean the handrail and wall.
11. Touch up joints or nicks in the wood with the touch up pen provided.

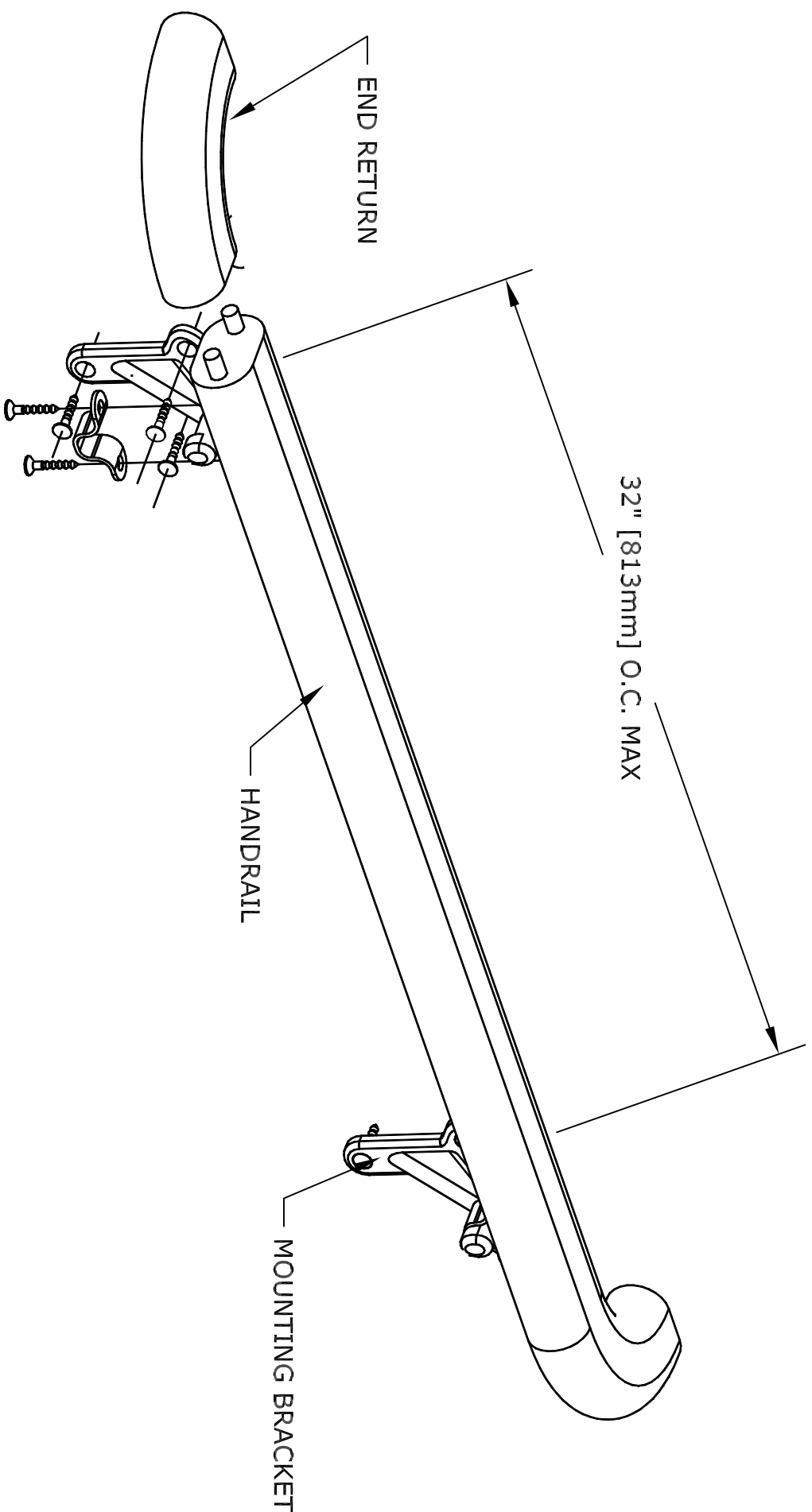
# PARTS LIST

## WHR-20



Handrail W109-X  
Returns/Corners W202-X  
Bracket W201-X

# ASSEMBLY DRAWING WHR-20

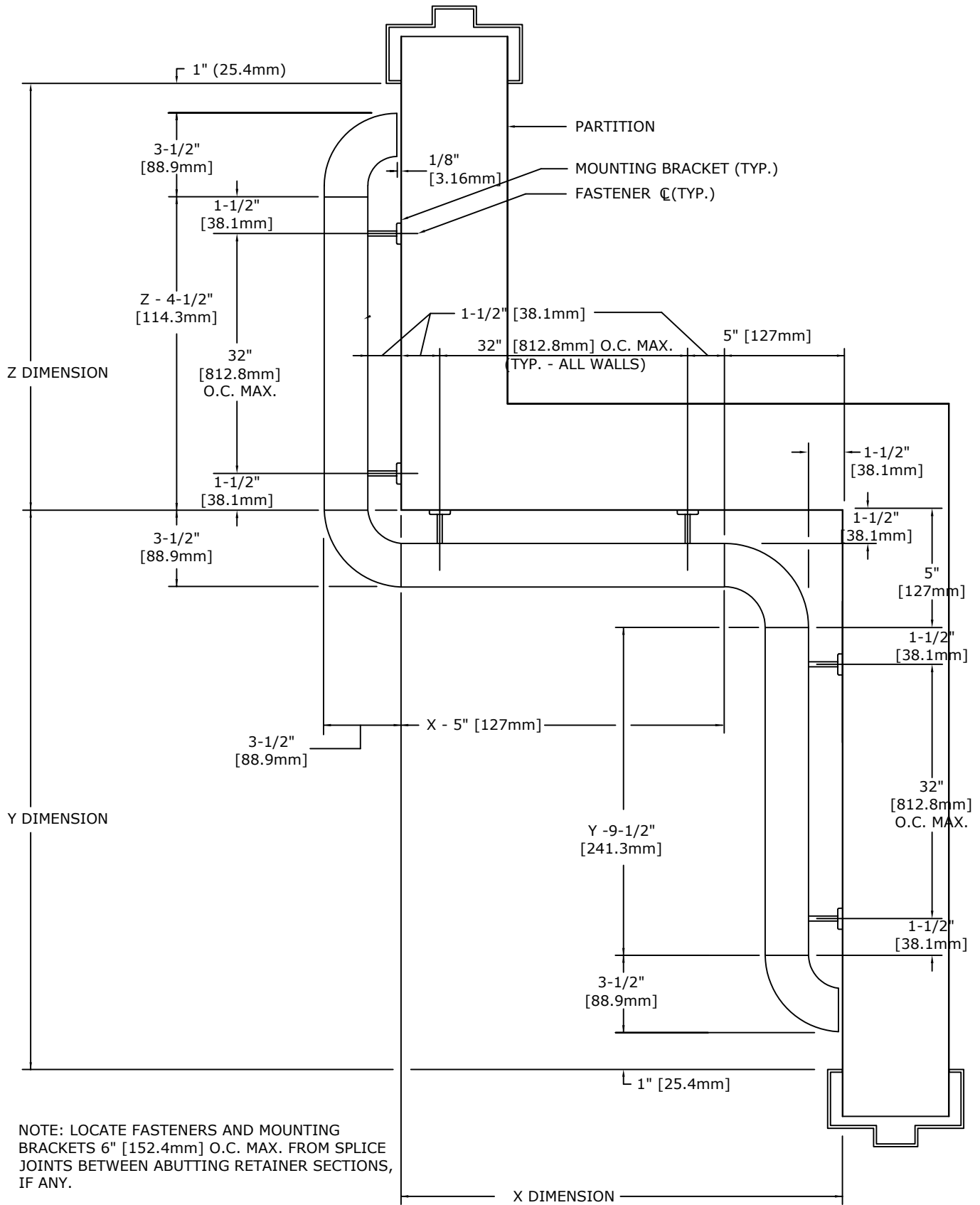


Arden  
Architectural  
Specialties, Inc.™

151 FIFTH AVE. NW SUITE J ST. PAUL, MN 55112-3268  
TOLL-FREE 800.521.1826 TEL 651.631.1607 FAX 651.631.0251

# STANDARD PLAN DETAIL

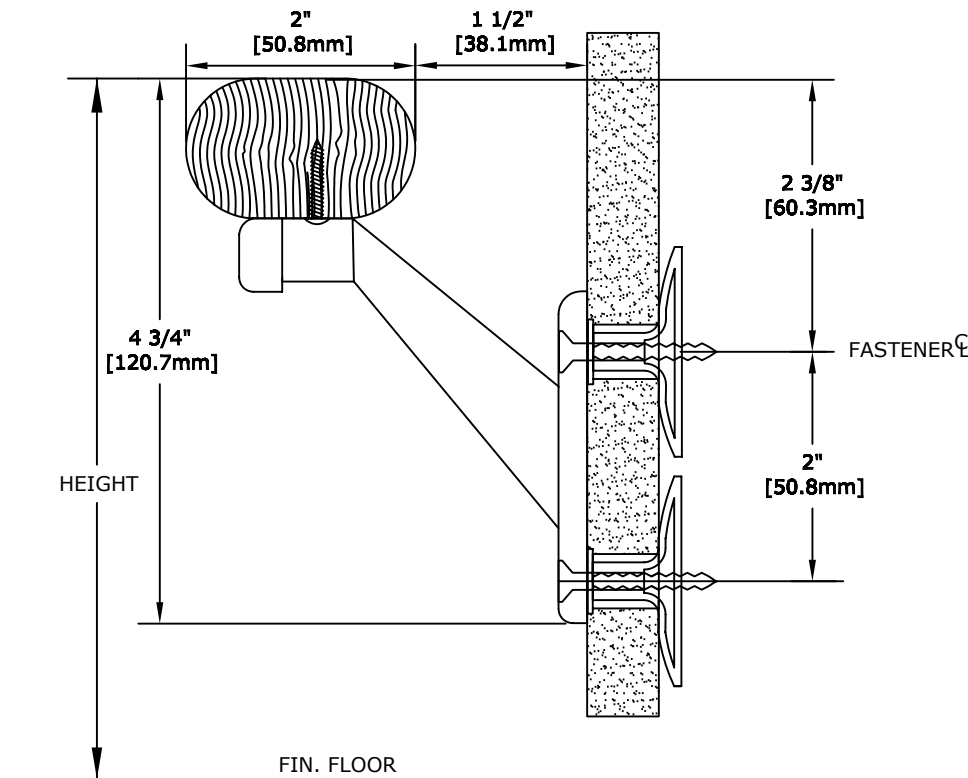
## WHR-20



NOTE: LOCATE FASTENERS AND MOUNTING BRACKETS 6" [152.4mm] O.C. MAX. FROM SPLICE JOINTS BETWEEN ABUTTING RETAINER SECTIONS, IF ANY.

# FASTENER HEIGHTS

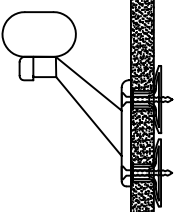
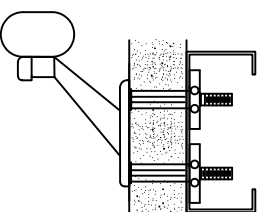
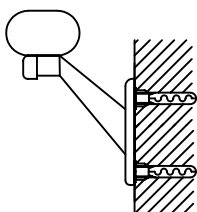
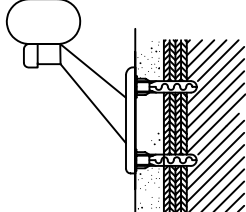
## WHR-20



**NOTE:**  
1. REFER TO INSTALLATION INSTRUCTIONS AND  
DETAIL SHEETS FOR MORE INFORMATION,  
INCLUDING PART NUMBERS.

**IMPORTANT:** USER SHALL VERIFY CONFORMANCE OF ALL CONSTRUCTIONS SHOWN WITH LOCAL CODES AND WITH REQUIREMENTS OF METAL STUD MANUFACTURER FOR RATINGS. FASTENERS AND PARTITION COMPONENTS NOT BY ARDEN ARCHITECTURAL SPECIALTIES, INC.

### TYPICAL FASTENING CONDITIONS SHOWN BELOW

|   |  |   |   |
|---|--|---|---|
| <p>1 LAYER GYP. BD.</p>  <p>#10 X 1-1/2" SCREWS AND<br/>TYPE TC SUPER TOGGLER BY<br/>MECHANICAL PLASTICS</p> | <p>2 LAYERS GYP. BD.</p>  <p>1/4"-20 X 3-1/2" BOLT<br/>AND TYPE BB TOGGLER<br/>BY MECHANICAL PLASTICS</p> | <p>MASONRY</p>  <p>#10 X 1-1/2" SCREWS<br/>AND TYPE A5 ALLIGATOR<br/>ANCHORS BY MECHANICAL<br/>PLASTICS</p> | <p>GYP. BD. &amp; MASONRY</p>  <p>#10 X 1-1/2" SCREWS<br/>AND TYPE A5 ALLIGATOR<br/>ANCHORS BY MECHANICAL<br/>PLASTICS</p> |
|---|--|---|---|

**SPECIFICATION:**

**GENERAL:** FURNISH AND INSTALL HANDRAIL SYSTEM(S) BY ARDEN ARCHITECTURAL SPECIALTIES, INC., AS SHOWN AND SPECIFIED.  
**INSTALLATION:** SECURE TO WALL OR PARTITION IN ACCORDANCE WITH MANUFACTURER'S PRINTED INSTRUCTIONS. USE FASTENERS DESIGNED AND APPROVED FOR PURPOSE INTENDED, SPACED 32 INCHES [812.8mm] O.C. MAX, UNLESS SPECIFIED OTHERWISE. INSTALL SYSTEM IN ACCORDANCE WITH ALL CODES HAVING JURISDICTION.



151 FIFTH AVE. NW SUITE J ST. PAUL, MN 55112-3268  
TOLL-FREE 800.521.1826 TEL 651.631.1607 FAX 651.631.0251