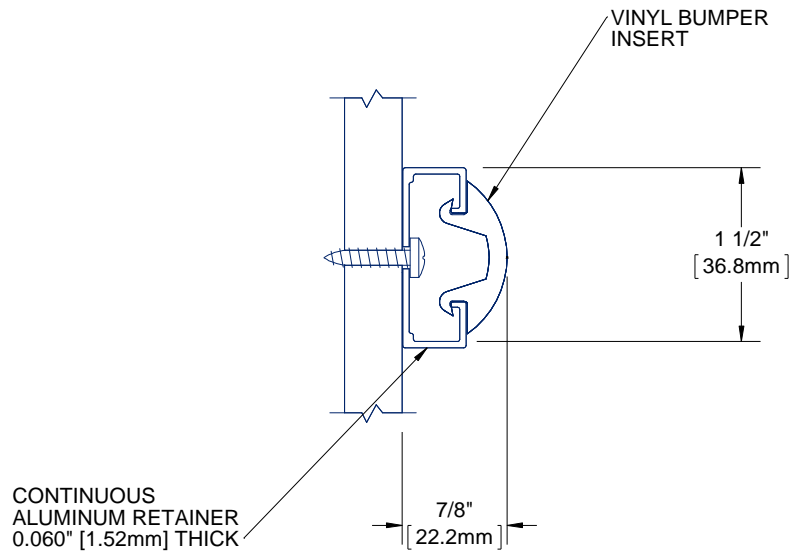


QUANTITY

COLOR



**NOTES:**

- 1. **PROFILE:** FLEXIBLE VINYL EXTRUSION LOCKED IN PLACE.
- 2. CLASS A FIRE RATING, TESTED TO ASTM E84
- 3. **RETAINER:** CONTINUOUS ALUMINUM RETAINER, NOMINAL 0.060" (1.52mm) THICK.
- 4. **EXTRUSION:** SMOOTH SATIN FINISH
- 5. **VINYL BUMPER GUARD LENGTH:** PROVIDED IN 20' CONTINUOUS SECTIONS
- 6. END CAP: #BGVS15C-EC, OUTSIDE CORNER: #BGVS15C-OC
- 7. FASTENERS AND PARTITION COMPONENTS PROVIDED BY OTHERS.

PROJECT:			
ARCHITECT:			
CONTRACTOR:			
 <small>Right to site.</small> 9300 73rd Avenue North Brooklyn Park, MN 55428		TITLE: 1-1/2" VINYL BUMPER GUARD	
		SURFACE MOUNT MILL FINISH RETAINER	
NAME	DATE	SIZE	DWG. NO.
DRAWN	MDS 26APR13	A	BGVS15C-RFM
RELEASED	PGE 01MAY13	WEIGHT: 0.43 LBS/FT	SHEET 1 OF 1