

# INSTALLATION INSTRUCTIONS

## STAINLESS STEEL CRASH RAIL SYSTEM CRS-4SS

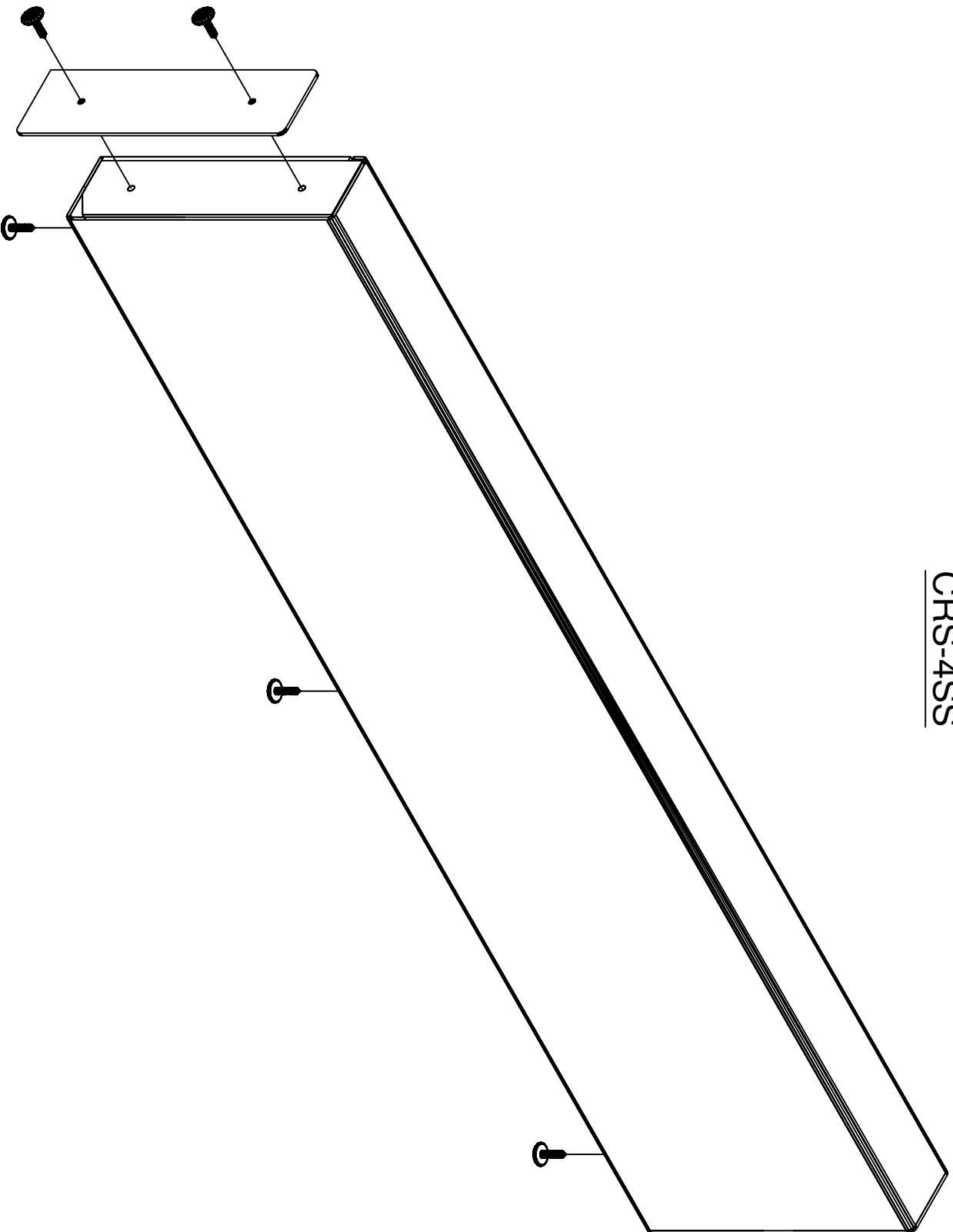
### General:

1. All stainless steel covers are shipped in stock lengths of 8'-0" or 10'-0" to be cut in the field to fit.
2. Carefully measure and mark all holes to be drilled to achieve a properly supported and level installation.

### Installation:

1. Measure and mark the top of crash rail and rail system centerline on wall or partition per detail sheet.
2. Measure and mark endpoints of crash rail on the centerline.
3. Measure and cut retainer and cover sections to length for each crash rail segment (offsetting the cover joints from the wood retainer joints is recommended for a more uniform appearance.) Verify that cut lengths conform exactly to lengths marked on wall or partition. If the retainer lengths are longer than the stainless steel crash rail cover lengths, the end caps will not pull tight against the crash rail ends.
4. Debur and clean any sharp edges on the stainless steel covers as necessary.
5. Measure and mark centerline for attachment fasteners on retainer sections.
6. Measure and mark vertical centerlines for retainer attachment fasteners on this centerline. Retainer fasteners should be no more than 32" [812.8mm] on center and within 3" [76.2mm] of the end of each retainer segment.
7. Measure and mark vertical centerlines for attachment fasteners on the rail system centerline on wall or partition.
8. Drill fastener holes in wall or partition. For most drywall applications we recommend 1/4" bolts and size "BB" strap type Toggler brand toggles by Mechanical Plastics. For most masonry applications we recommend 1/4" screws and No. A-6 Toggler brand alligator anchors by Mechanical Plastics.
9. Drill fastener holes in retainer lengths to align with holes on wall or partition. Make holes as small as possible, allowing for fasteners.
10. Secure retainers to wall or partition. If splices were necessary, make sure adjoining sections are aligned exactly to facilitate mounting stainless covers.
11. Install covers (offsetting the cover joints from the wood retainer joints is recommended for a more uniform appearance.) Slide the top lip into the groove in the top of retainer, and rotate downward until cover is tight on retainer. Secure cover with the stainless screws provided.
12. Install endplates. Hold endplate in position, taking care to allow equal overlap of retainer at top, bottom, and front face of cover. Mark holes for attachment screws, and drill pilot holes for the #10x2" stainless steel oval head screws. Attach endplates.
13. Remove protective covering from cover and endplates and clean surfaces as necessary.

ASSEMBLY DRAWING  
CRS-4SS

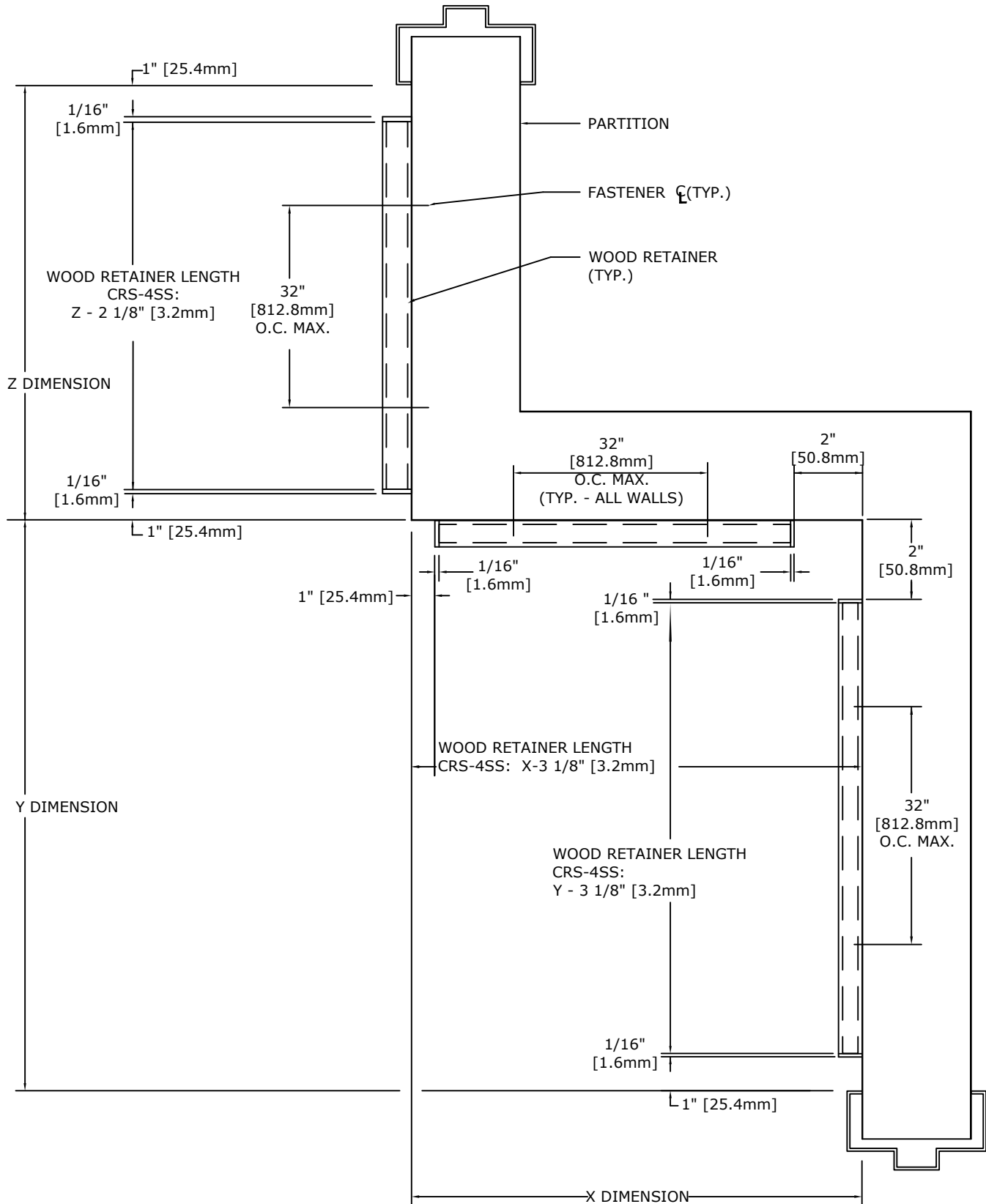


151 FIFTH AVE. NW SUITE J ST. PAUL, MN 55112-3268  
TOLL-FREE 800.521.1826 TEL 651.631.1607 FAX 651.631.0251

**ARDEN Architectural**  
S P E C I A L T I E S I N C .

# STANDARD PLAN DETAIL

## CRS-4SS



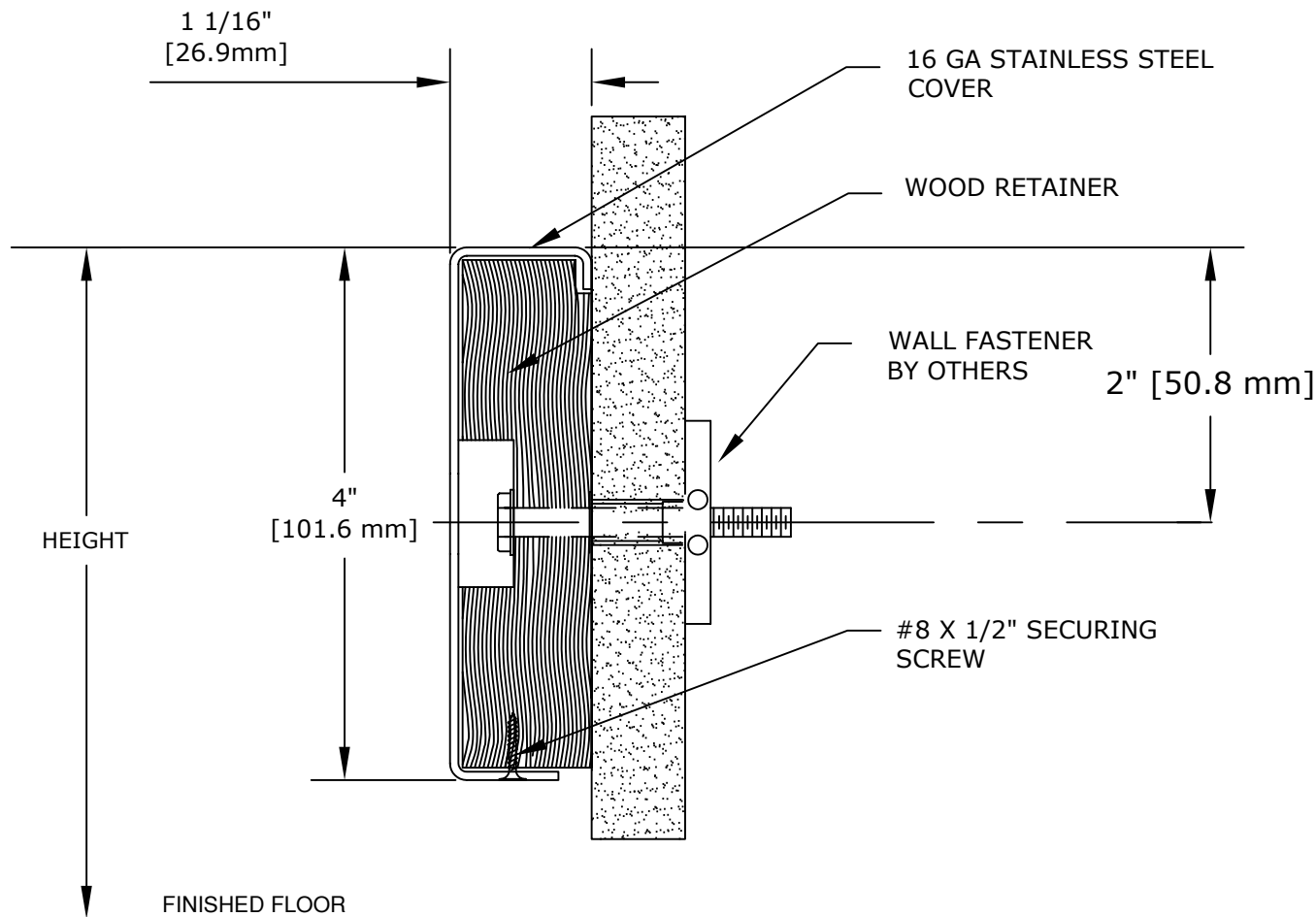
NOTE: Retainer fasteners should be no more than 32"(812.8mm) on center and within 3"(76.2mm) of the end of each retainer segment.



**Arden Architectural Specialties, Inc.<sup>TM</sup>**

151 FIFTH AVE. NW SUITE J ST. PAUL, MN 55112-3268  
TOLL-FREE 800.521.1826 TEL 651.631.1607 FAX 651.631.0251

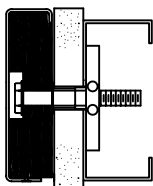
# FASTENER HEIGHT CRS-4SS



IMPORTANT: USER SHALL VERIFY CONFORMANCE OF ALL CONSTRUCTIONS SHOWN WITH LOCAL CODES. FASTENERS AND PARTITION COMPONENTS NOT BY ARDEN ARCHITECTURAL SPECIALTIES, INC.

## TYPICAL FASTENING CONDITIONS SHOWN BELOW

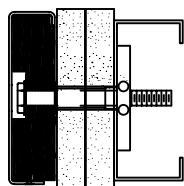
1 LAYER GYP. BD.



1/4"-20 X 2-3/4" BOLT  
AND TYPE BB TOGGLER  
BY MECHANICAL PLASTICS

QTY:

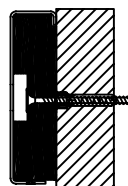
2 LAYERS GYP. BD.



1/4"-20 X 2-3/4" BOLT  
AND TYPE BB TOGGLER  
BY MECHANICAL PLASTICS

QTY:

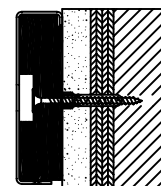
MASONRY



1/4" X 3" LAG SCREW  
AND TYPE AF6 ALLIGATOR  
ANCHORS BY MECHANICAL  
PLASTICS

QTY:

GYP. BD. & MASONRY



1/4" X 3" LAG SCREW  
AND TYPE AF6 ALLIGATOR  
ANCHORS BY MECHANICAL  
PLASTICS

QTY:

**SPECIFICATION:**

**GENERAL:** FURNISH AND INSTALL CRASH RAIL SYSTEM(S) BY ARDEN ARCHITECTURAL SPECIALTIES, INC., AS SHOWN AND SPECIFIED.

**INSTALLATION:** SECURE TO WALL OR PARTITION IN ACCORDANCE WITH MANUFACTURER'S PRINTED INSTRUCTIONS. USE FASTENERS DESIGNED AND APPROVED FOR PURPOSE INTENDED, SPACED 32 INCHES [812.8mm] O.C. MAX, UNLESS SPECIFIED OTHERWISE. INSTALL SYSTEM IN ACCORDANCE WITH ALL CODES HAVING JURISDICTION.