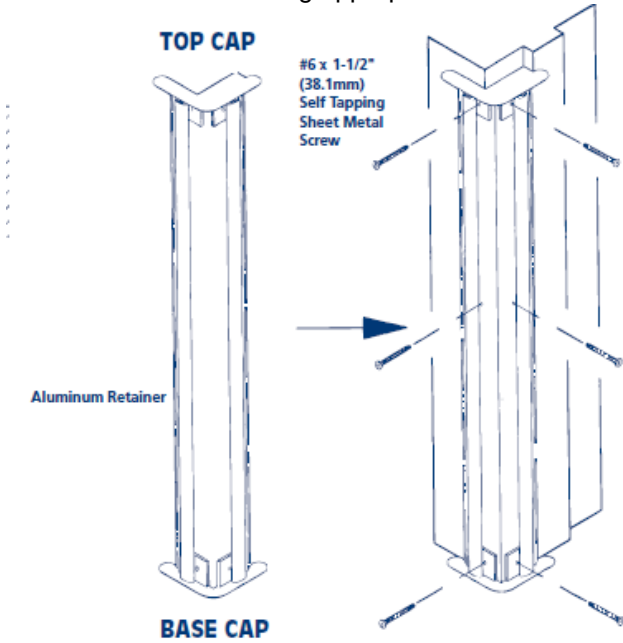
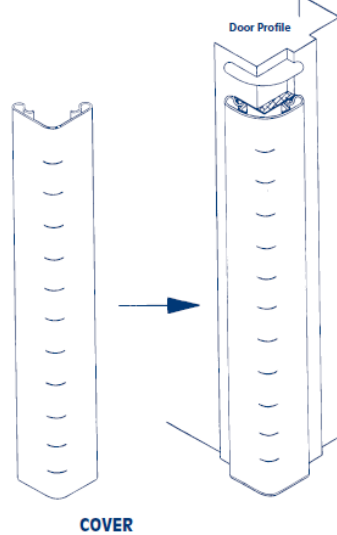


**Vinyl Door Guard
Model Number GDV26875**

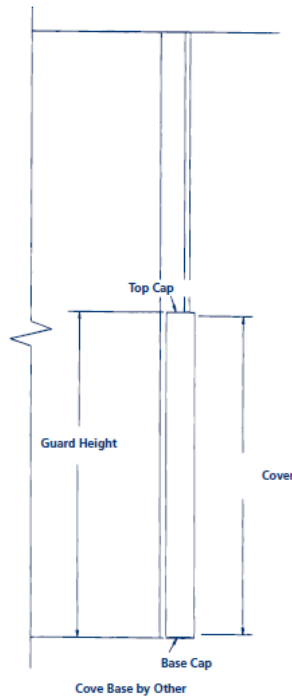
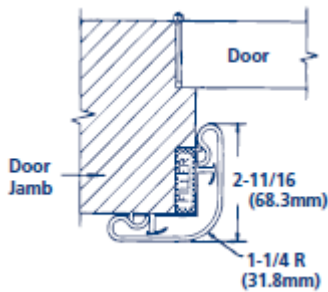
1. Insert top and bottom caps into continuous retainer. Attach to corner using appropriate fasteners.



2. Snap precut cover in position. Cover should be lipped over one edge and pressure applied toward opposite leg from center with a "snap action" movement. Procedure should begin at bottom and be repeated as necessary for full height of cover



3. Additional views:





Right to site.

IO&M

Wall and Door Protection - 10.26.00

Maintenance:

1. Use mild detergent to clean soiled surfaces. Do not use powdered cleansers, bleach and ammonia-based cleaners as they may leave a residue embedded in the cover surface. Pen marks, paint and graffiti generally wash off easily with mild soap and water. Completely rinse the surface with clean water when complete.
2. Tough marks or stains may require a heavy duty cleaner such as "Crown Anti-Vandal Spray" or "DWR-II". These specialized spot cleaners should only be used on small areas and tested for color fastness prior to applying in a highly visible area. Rinse thoroughly with clean water to remove the residue from these cleaners