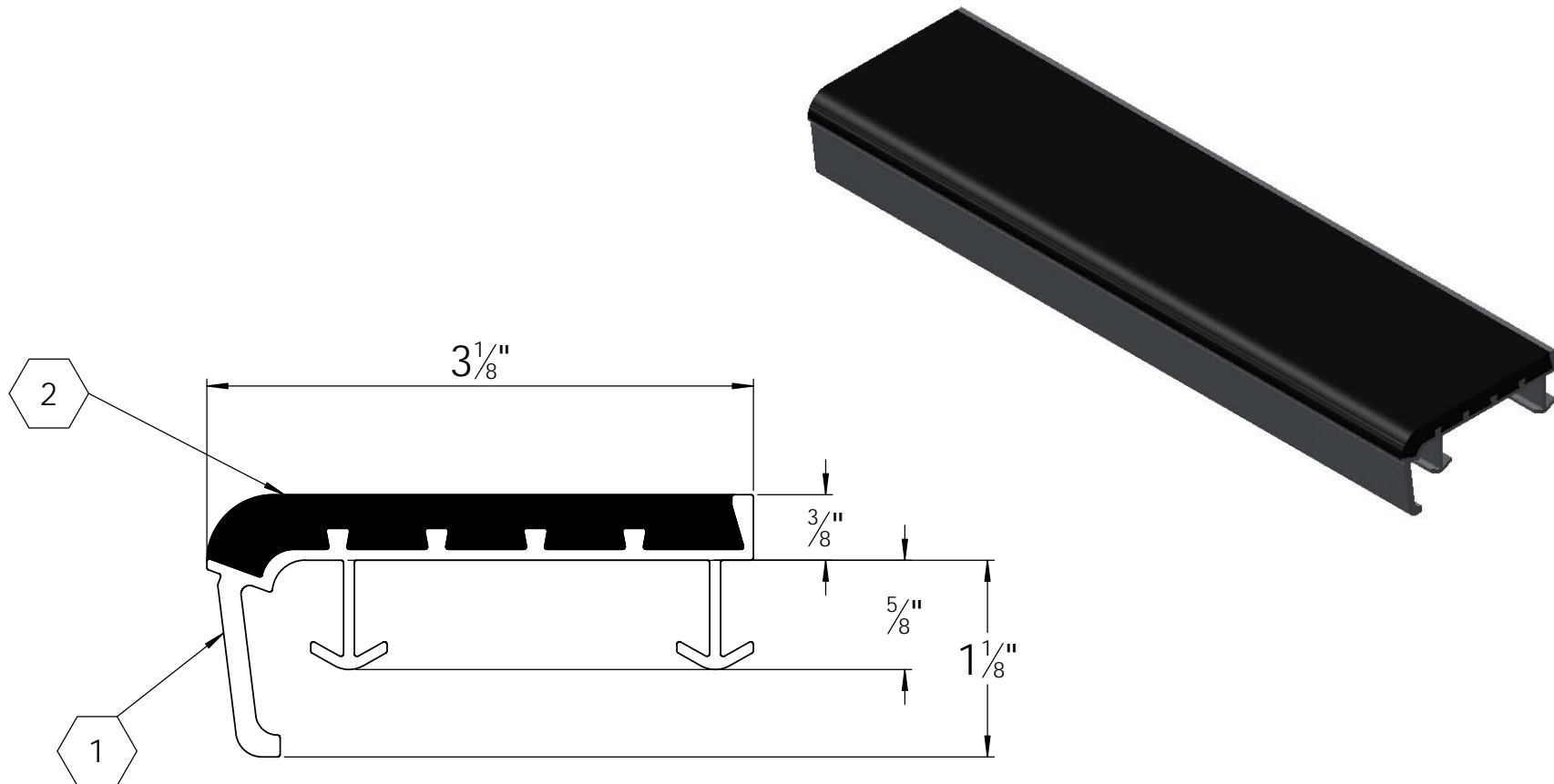


B

B




MODEL L3.125E

(SINGLE STAGE FULL ABRASIVE)

SPECIFICATIONS:

- ① **BASE:** HEAT TREATED EXTRUDED ALUMINUM ALLOY 6063 T-5
- ② **ABRASIVE:** ALUMINUM OXIDE SILICON CARBIDE GRANULES IN A UV PROTECTED, 2 PART EPOXY, LOCKED INTO EXTRUDED CHANNELS
- 3. **BASE FINISH:** MILL
- 4. **POURED CONCRETE STAIRS:** NOSING SHALL TERMINATE NO MORE THEN 3" FROM END OF STEPS
- 5. **CONCRETE FILLED STEEL PAN STAIRS:** NOSING SHALL BE FULL LENGTH OF STEPS, LESS 1/8" CLEARANCE
- 6. **COLOR:** BLACK (STANDARD), SAFETY YELLOW, GRAY, RED, BROWN, GREEN, BURGUNDY, BLUE, BUFF, LUMINESCENT
- 7. **LENGTH:** 12'0" MAXIMUM
- 8. **UL 1994 LISTED:** COMBINED WIDTH OF PHOTO-LUMINESCENT MATERIAL SHALL NOT BE LESS THAN 1"

LENGTH	QTY	COLOR

PROJECT:			
ARCHITECT:			
CONTRACTOR:			
QTY:			
PART#:		STSF-L3.125E	
 Right to site. 9300 73rd Avenue North Brooklyn Park, MN 55428		TITLE:	
		VFAL31, Stair Tread, Full Abrasive, Long Nose, Alum Extruded Anchor,	
	NAME	DATE	SIZE
DRAWN	BMH	3/11/11	A
	DWG. NO.	STSF-L3.125E	
RELEASED	PE	3/11/11	WEIGHT: 1.35 LB
			SHEET 1 OF 1

PROPRIETARY AND CONFIDENTIAL: THE INFORMATION CONTAINED IN THIS DRAWING IS THE SOLE PROPERTY OF NYSTROM. ANY REPRODUCTION IN PART OR AS A WHOLE WITHOUT THE WRITTEN PERMISSION OF NYSTROM IS PROHIBITED.