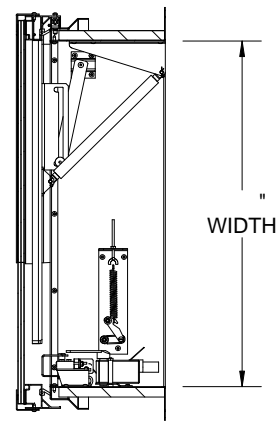
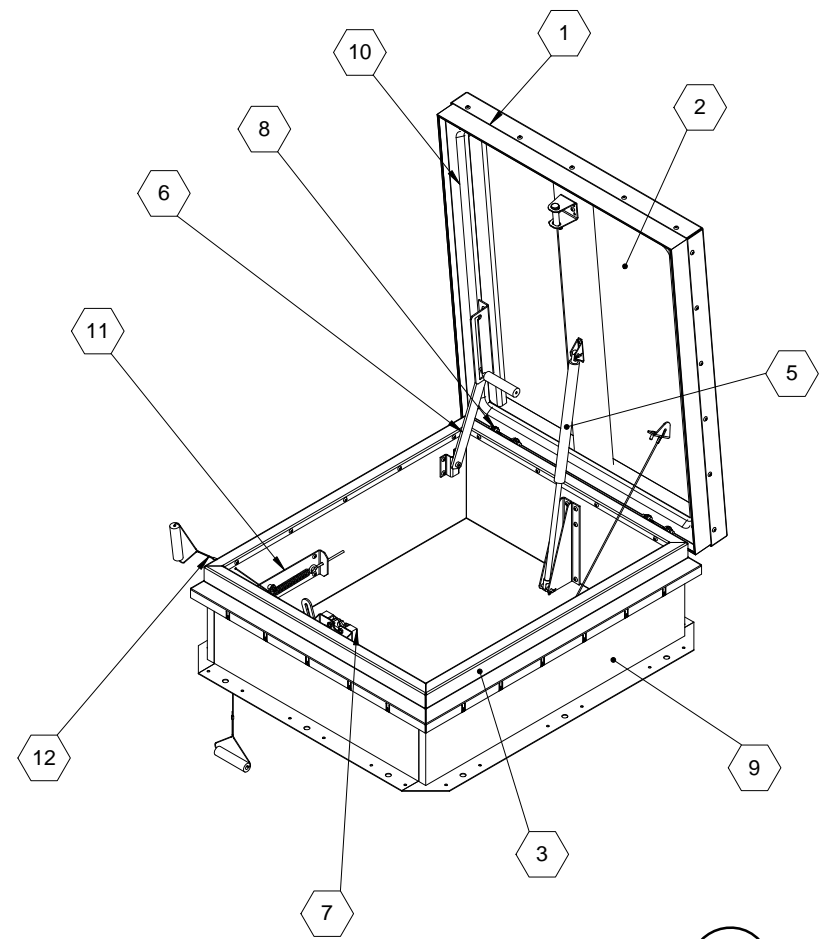
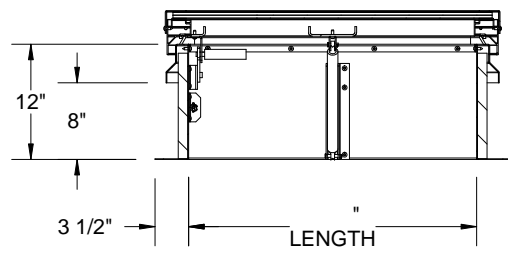


SECTION A-A



SECTION B-B



SPECIFICATIONS:

- ① **COVER:** ALUMINUM EXTRUSION WITH 11GA ALUM RETAINER TO WITHSTAND A LIVE LOAD OF 40 PSF WITH A MAX DEFLECTION OF 1/150 OF THE SPAN
- ② **TRANSLUCENT MATERIAL:** POLYCARBONATE MULTI-WALL WHITE
- ③ **CURB AND COUNTERFLASH W/ EZ TAB:** 11 GAUGE ALUMINUM
- ④ **FINISH:** COVER- MILL  
CURB- MILL
- ⑤ **GAS SPRING WITH DAMPER:** DESIGNED TO OPEN AGAINST A 10PSF SNOW LOAD IN NOT LESS THAN 2 SECONDS
- ⑥ **HOLD OPEN ARM:** LOCK COVER IN FULLY OPEN POSITION - ZINC PLATED STEEL
- ⑦ **LATCH:** ZINC PLATED ROTARY LATCH ASSEMBLY DESIGNED TO HOLD COVERS CLOSED AGAINST 30 PSF WIND UPLIFT ZINC PLATED STEEL LATCH STRIKERS ON COVERS

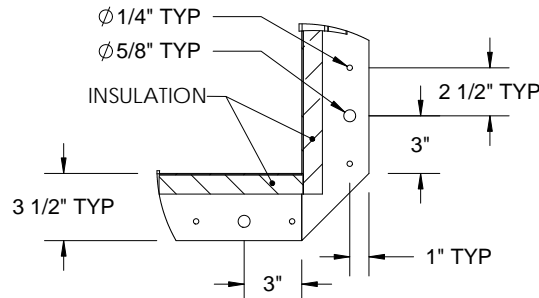
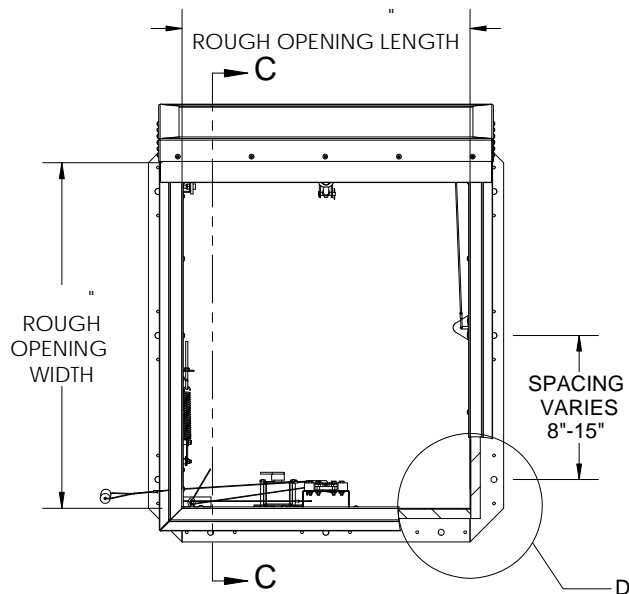
- ⑧ **HINGES:** ZINC PLATED STEEL WITH STAINLESS STEEL HINGE PINS
- ⑨ **INSULATION:** 1" POLYISOCYANURATE IN COVER AND AROUND CURB PERIMETER, R-VALUE 6
- ⑩ **GASKET:** ADHESIVE BACKED EPDM RUBBER EXTRUSION
- ⑪ **THERMAL RELEASE MECHANISM:** VENT COVERS OPEN THERMALLY BY HEAT AT FUSIBLE LINK TEMPERATURE °F
- ⑫ **MANUAL OPENING:** VENT COVERS OPEN WITH INTERNAL AND EXTERNAL MANUAL PULL HANDLE, 1/16" DIA SST CABLE
- ⑬ **ELECTRICAL RELEASE:** VENT COVERS OPEN ELECTRICALLY WHEN ENERGIZED WITH

SMOKE VENT SIZE (WIDTH) x (LENGTH)  
EFFECTIVE VENTING AREA 90% SQFT<sup>2</sup>

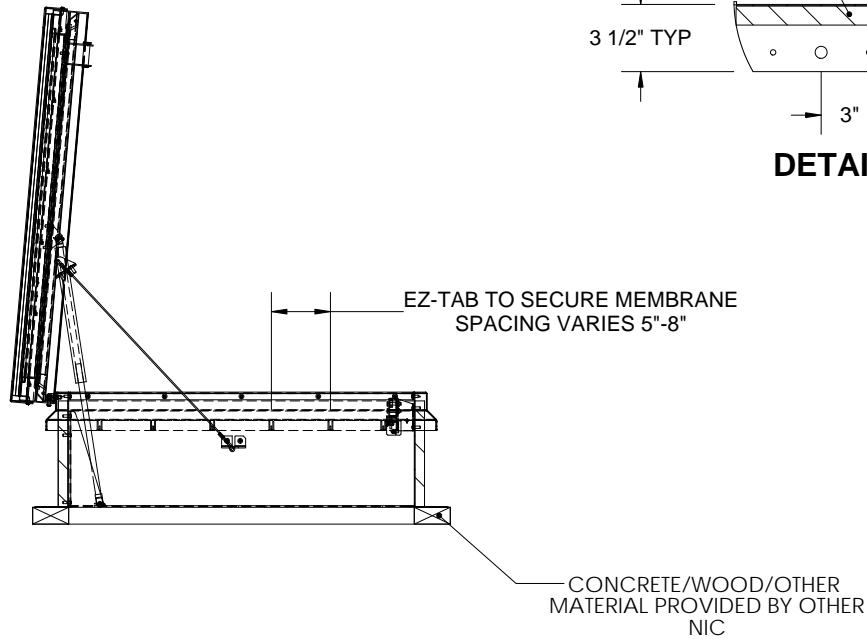
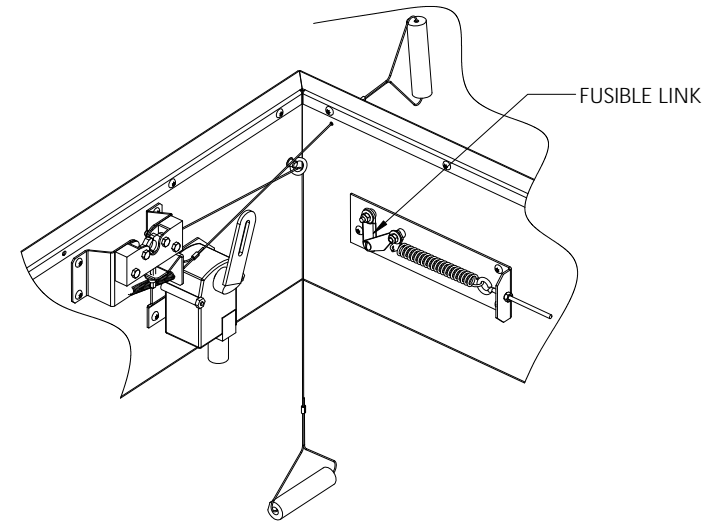


PROJECT:					
ARCHITECT:					
CONTRACTOR:					
QTY:					
PART#:		SVLA	X S1 R		
 Right to site. 9300 73rd Avenue North Brooklyn Park, MN 55428		TITLE: Smoke Vent, SunLit Series Alum, Sngl Dr, Sngl Wall Curb			
		NAME	DATE	SIZE	DWG. NO.
DRAWN	BMH	05/04/11	A	SVLA_X_S1_ _R	A
RELEASED	DS	05/04/11	WEIGHT: VARIES		SHEET 1 OF 2

PROPRIETARY AND CONFIDENTIAL: THE INFORMATION CONTAINED IN THIS DRAWING IS THE SOLE PROPERTY OF NYSTROM. ANY REPRODUCTION IN PART OR AS A WHOLE WITHOUT THE WRITTEN PERMISSION OF NYSTROM IS PROHIBITED.



DETAIL D



SECTION C-C

**SMOKE VENT COVER OPENS WHEN ACTIVATED BY:**

- A. THERMAL RELEASE MECHANISM:** RELEASED BY HEAT WITH A UL LISTED FUSIBLE LINK AT TEMPERATURE °F  
**OPTIONS:** 165°F, 212°F, 280°F, 350°F, 360°F, 370°F, 386°F, 450°F
- B. MANUAL OPENING:** RELEASED BY EXTERNAL AND INTERNAL PULL CABLES WITH HANDLES AND 5FT OF INTERNAL CABLE PROVIDED
- C. ELECTRICAL RELEASE:** RELEASED BY A 2.5 WATT UL LISTED ROTARY ACTUATOR WHEN ENERGIZED TO 240VAC

**SMOKE VENT COVER CLOSED MANUALLY FROM ROOFTOP**

<p>Right to site. 9300 73rd Avenue North Brooklyn Park, MN 55428</p>			TITLE: Smoke Vent, SunLit Series Alum, Sngl Dr, Sngl Wall Curb		
NAME	DATE	SIZE	DWG. NO.	REV	
DRAWN: BMH	05/04/11	A	SVLA_X_S1_ _R	A	
RELEASED: DS	05/04/11	WEIGHT: VARIES		SHEET 2 OF 2	