

SECTION B-B

**SPECIFICATIONS:**

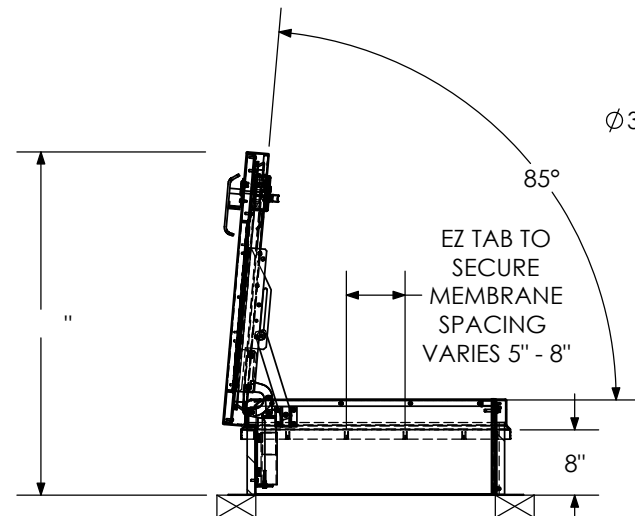
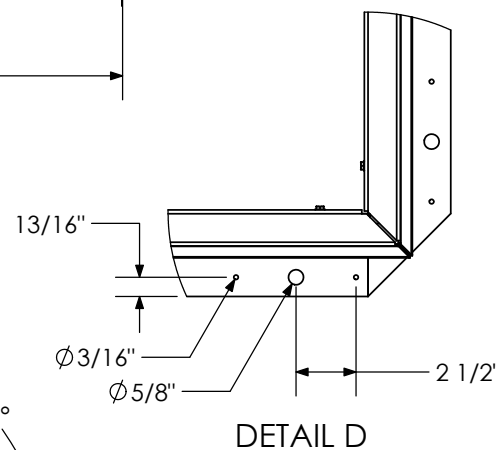
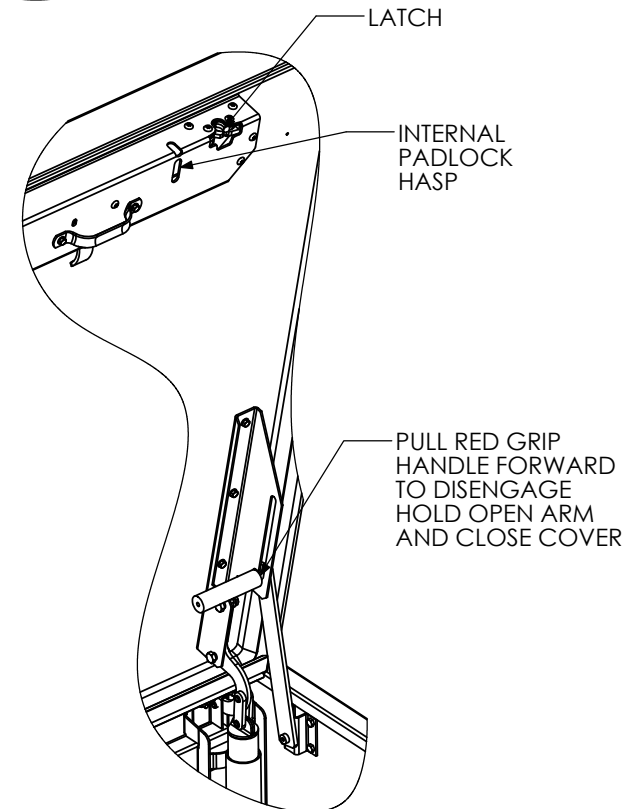
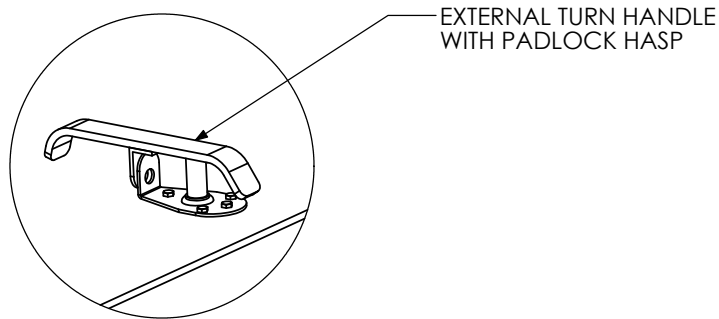
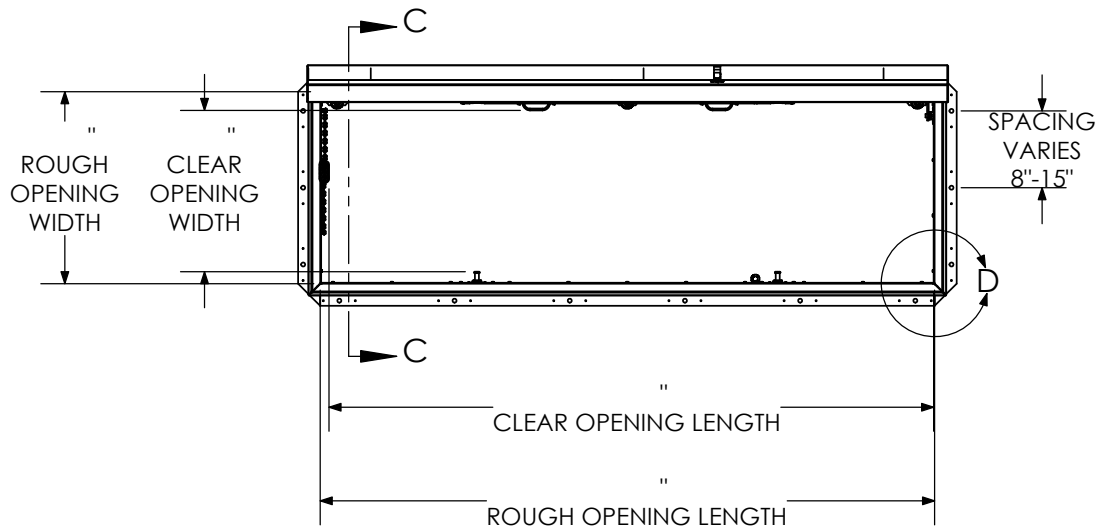
- ① **COVER:** 11 GA ALUM COVER STIFFENED TO WITHSTAND A LIVE LOAD OF 40PSF WITH A MAX DEFLECTION OF 1/150 OF THE SPAN
- ② **LINER:** 18 GA ALUM
- ③ **CURB AND COUNTERFLASH W/ EZ TAB:**  
11 GA ALUM
- 4 **FINISH:** MILL FINISH
- ⑤ **SPRING/HINGE ASSEMBLY:** ZINC PLATED STEEL TAMPER-PROOF HINGE CONTAINED WITHIN SPRING/HINGE ASSEMBLY. TELESCOPIC TUBES CONTAIN COIL STEEL COMPRESSION SPRINGS FOR LIFT ASSISTANCE
- ⑥ **HOLD OPEN ARM:** LOCKS COVER IN FULLY OPEN POSITION - ZINC PLATED STEEL WITH RED VINYL GRIP HANDLE PULL RELEASE
- ⑦ **LATCH:** 2 POINT ROTARY LATCH SLAM LATCH HOLDS COVER CLOSED AGAINST 90 PSF WIND UPLIFT. INTERNAL AND EXTERNAL TURN HANDLES WITH PADLOCK HASPS

- ⑧ **INSULATION:**  
1" POLYSTYRENE (R4) IN COVER, AND 1" FIBERBOARD (R2.8) IN CURB
- ⑨ **GASKET:** ADHESIVE BACKED EPDM RUBBER EXTRUSION
- 10 **SIZING:** WIDTH X LENGTH DIMENSIONS ARE MEASURED INSIDE CURB TO INSIDE CURB WHERE THE WIDTH IS HINGE TO LATCH AND LENGTH IS HINGED SIDE WITH SPRINGS

|                        |             |            |
|------------------------|-------------|------------|
| <b>ROOF HATCH SIZE</b> | " (WIDTH) x | " (LENGTH) |
| <b>CLEAR OPENING</b>   | " (WIDTH) x | " (LENGTH) |
| <b>ROUGH OPENING</b>   | " (WIDTH) x | " (LENGTH) |

PROPRIETARY AND CONFIDENTIAL: THE INFORMATION CONTAINED IN THIS DRAWING IS THE SOLE PROPERTY OF NYSTROM. ANY REPRODUCTION IN PART OR AS A WHOLE WITHOUT THE WRITTEN PERMISSION OF NYSTROM IS PROHIBITED.

|  |     |   |                |      |              |
|--|-----|---|----------------|------|--------------|
| PROJECT:   |     |   |                |      |              |
| ARCHITECT:   |     |   |                |      |              |
| CONTRACTOR:  |     |   |                |      |              |
| QTY:   |     |   |                |      |              |
| PART#:   |     |   |                |      |              |
| <br><small>Right to site.</small><br>9300 73rd Avenue North<br>Brooklyn Park, MN 55428 |     | TITLE: Roof Hatch, Equipment Series,<br>Sngl Dr, Zinc Hdw,<br>AlumCurb and Cover, Mill Finish, Sngl Wall Curb |                |      |              |
|  |     | NAME  | DATE           | SIZE | DWG. NO.     |
| DRAWN  | ELW | 9/14/12   | A              |      | A            |
| RELEASED   | -   | -   | WEIGHT: VARIES |      | SHEET 1 OF 2 |



SECTION C-C  
WOOD, CONCRETE, OTHER MATERIAL FOR MOUNTING BY OTHERS (NIC)

HARDWARE DETAILS

|   |     |         |   |              |      |
|---|-----|---------|---|--------------|------|
|   |     |         | TITLE: Roof Hatch, Equipment Series, Sngl Dr, Zinc Hdw, AlumCurb and Cover, Mill Finish, Sngl Wall Curb |              |      |
| Right to site.<br>9300 73rd Avenue North<br>Brooklyn Park, MN 55428 |     |         | NAME  | DATE         | SIZE |
| DRAWN   | ELW | 9/14/12 | A   | DWG. NO.     | REV  |
| RELEASED  | -   | -       | WEIGHT: VARIES  | SHEET 2 OF 2 |      |

PROPRIETARY AND CONFIDENTIAL: THE INFORMATION CONTAINED IN THIS DRAWING IS THE SOLE PROPERTY OF NYSTROM. ANY REPRODUCTION IN PART OR AS A WHOLE WITHOUT THE WRITTEN PERMISSION OF NYSTROM IS PROHIBITED.